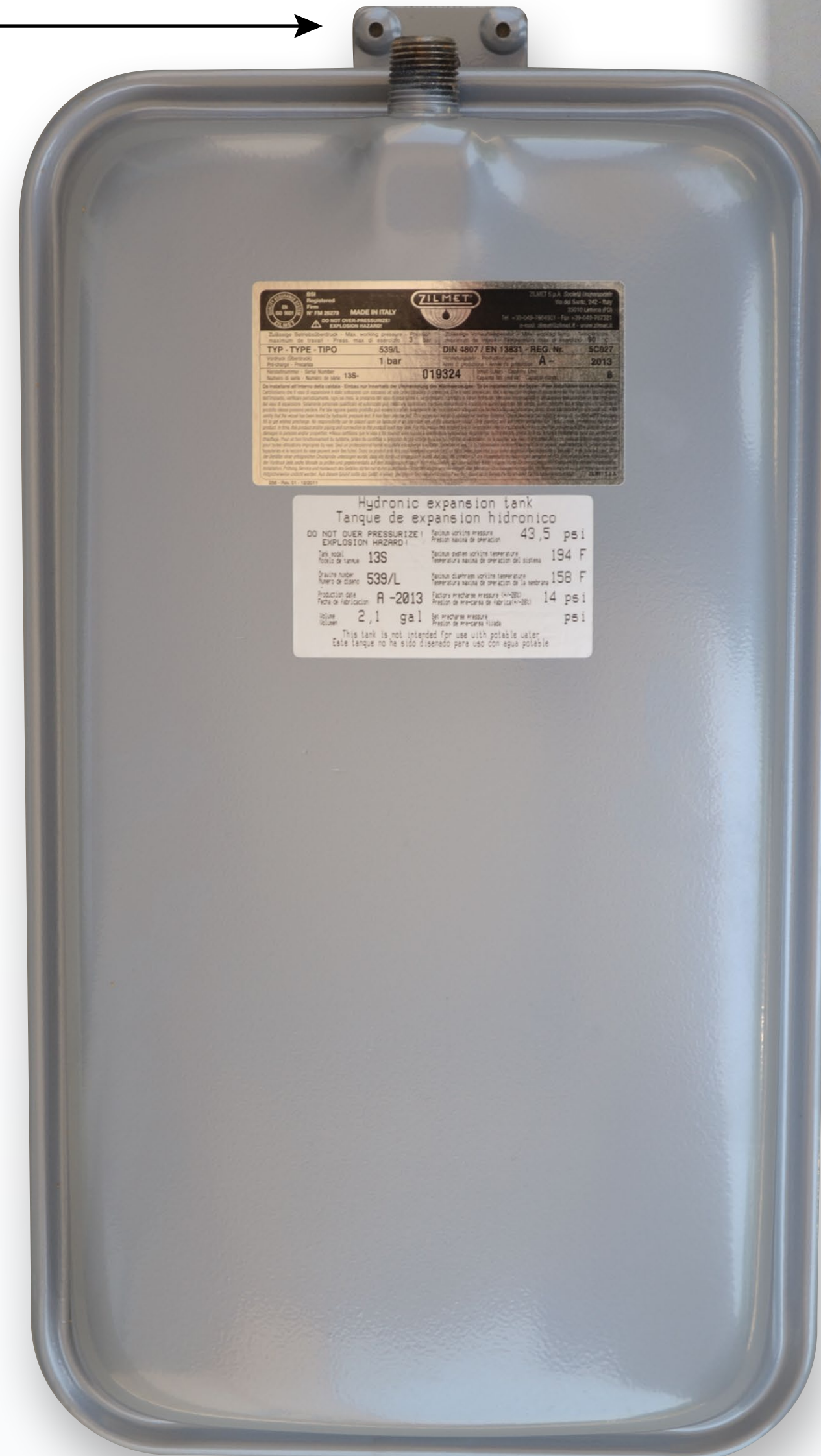
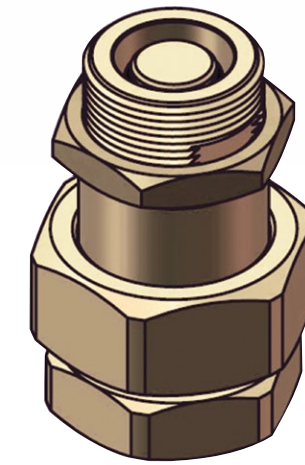


# ZILMET FLATS

The Space Saving Expansion Tanks

## Included with every tank:

- 1) Union with 2-way check valve
- 2) Welded mounting bracket
- 3) Flat expansion tank



## Benefits:

- A perfect accessory to pair with a wall hung condensing boiler
- Great for tight installations
- Provides a more professional look to the mechanical room
- Allows for easier access to the boiler for maintenance



## Cross Reference:

	Zilmet Model Number	Zilmet Flat Model Number
15	ZHT8	ZFT8C or ZFT8R
30	ZHT18	ZFT18R or ZFT18C
60	ZHT24	ZFT24R