



UH15B

Cast Iron Gas Fired Boilers
For Forced Hot Water

Models

UH15B-060K
UH15B-095K
UH15B-120K
UH15B-150K
UH15B-180K
UH15B-205K
UH15B-235K

REPAIR AND REPLACEMENT PARTS

Ordering Instructions

Order Parts through your nearest supplier.

When ordering parts, obtain Model Number from data plate on your boiler.

Include following information when ordering.

Part Number _____
Part Description _____
Boiler Model Number _____
Boiler Serial Number _____



Manufactured by:
ECR International Inc.
2201 Dwyer Avenue, Utica, NY 13501
Tel. 800 253 7900
www.ecrinternational.com
PN 240012810 REV. C [12/15/2020]

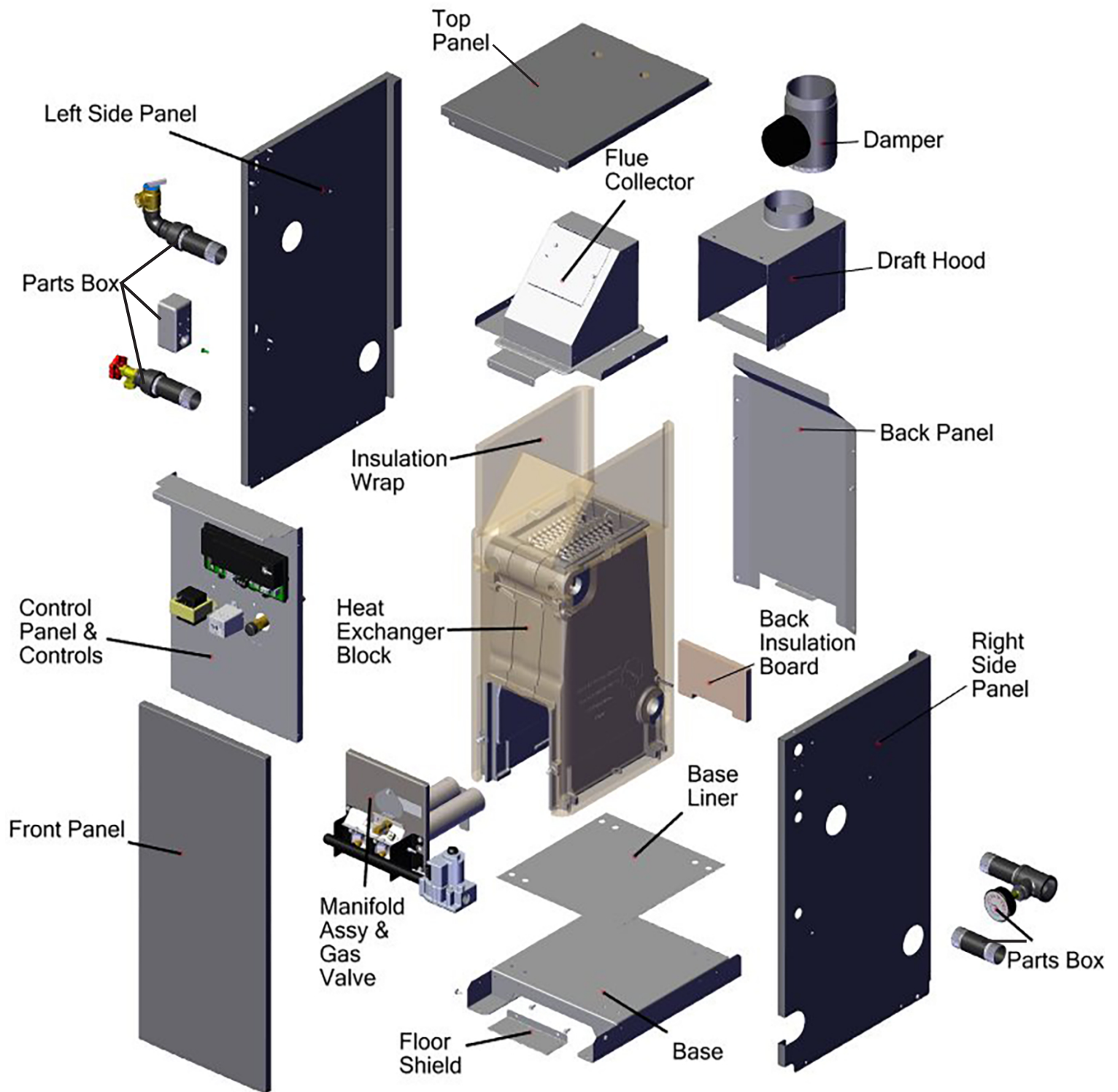
TABLE OF CONTENTS

Table of Contents	Page
Jacket, Flue and Draft Hood	3
Manifold Assembly & Gas Valve	4,5
Control Panel	6
Parts Box	8
Heat Exchanger & Insulation	10
Conversion Kits	11

BOILER EXPLODED VIEW

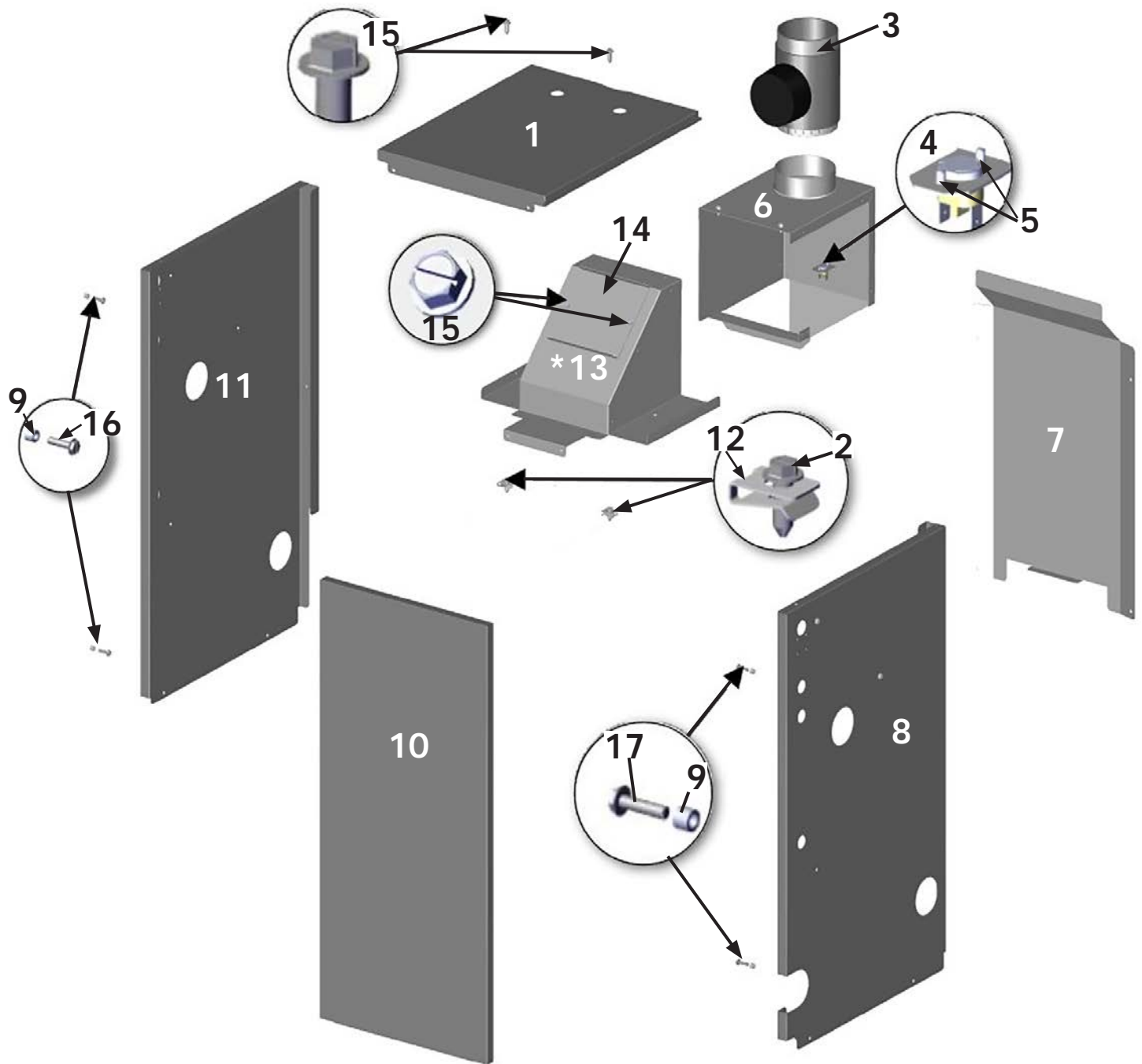
EXPLODED VIEW 3 SECTION

UH15B-060K SHOWN



JACKET, FLUE AND DRAFT HOOD

3 SECTION UH15B-
060KUH15B-060K SHOWN



NS= Not shown

JACKET, FLUE AND DRAFT HOOD

Item	Part No.	Description	Qty.
1	550003827	Jkt Top Panel (060, 095)	1
	550003828	Jkt Top Panel (120)	
	550003829	Jkt Top Panel (150)	
	550003830	Jkt Top Panel (180)	
	550003831	Jkt Top Panel (205, 235)	
2	14695070	Screw Flue Collector to Block	2
3	240006936	4" Damper (060)	1
	240006937	5" Damper (095)	
	240006938	6" Damper (120, 150)	
	240006939	7" Damper (180, 205, 235)	
4	AQ02101	Spill Switch	1
5	HW06501	Screw for Spill Switch	2
6	109010255	Draft Hood (060)	1
	109010256	Draft Hood (095)	
	109010257	Draft Hood (120)	
	109010258	Draft Hood (150)	
	109010259	Draft Hood (180)	
	109010260	Draft Hood (205)	
	109010261	Draft Hood (235)	
7	109010298	Jkt Back Panel (060, 095)	1
	109010299	Jkt Back Panel (120)	
	109010300	Jkt Back Panel (150)	
	109010301	Jkt Back Panel (180)	
	109010302	Jkt Back Panel (205,235)	
8	550003825	Jkt Side Right Panel (060-235)	1
9	240012789	Front Panel Mount Bushing	4

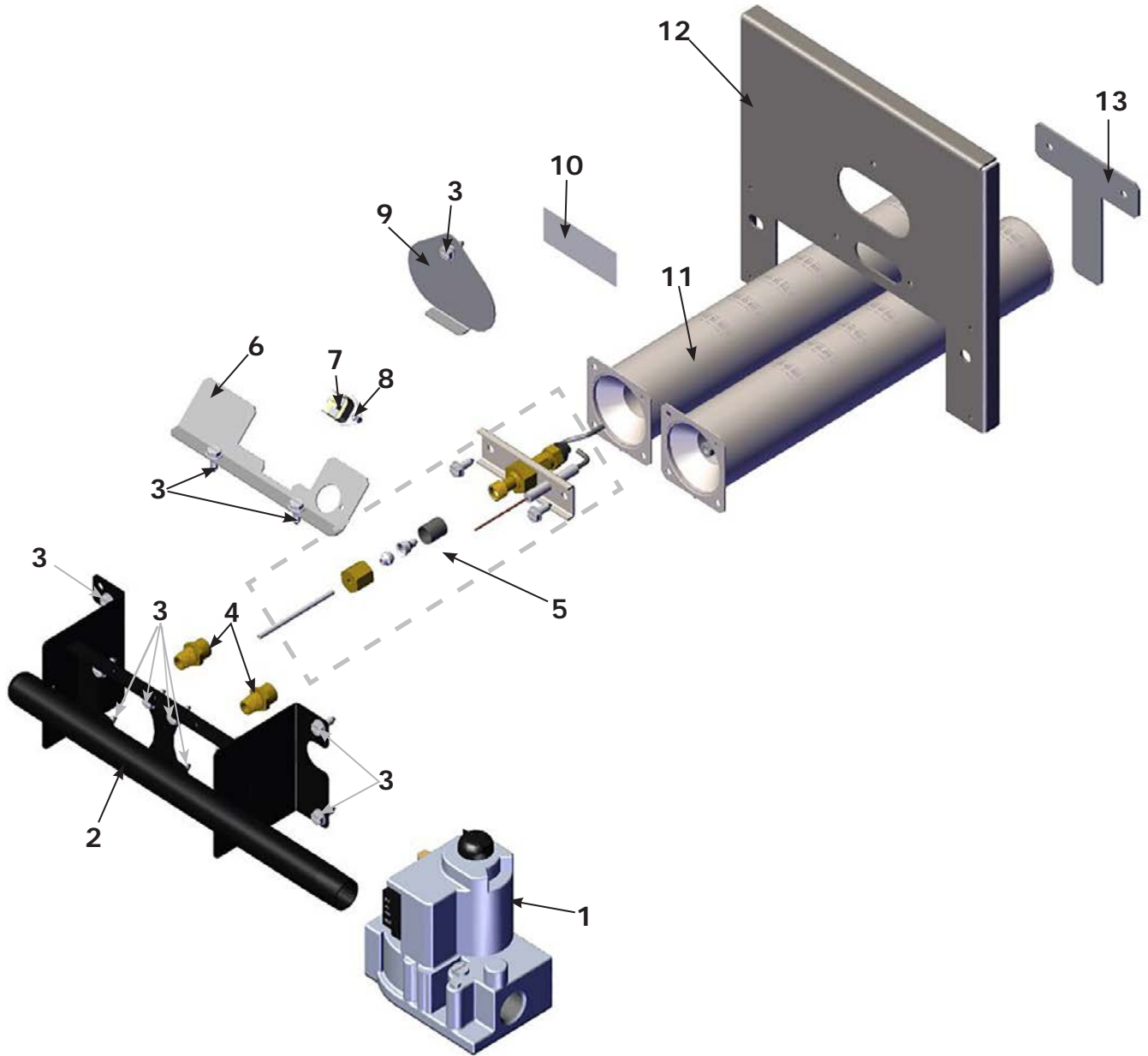
Item	Part No.	Description	Qty.
10	550003837	Jkt Front w/ labels (060, 095)	1
	550003838	Jkt Front w/ labels (120)	
	550003839	Jkt Front w/ labels (150)	
	550003840	Jkt Front w/ labels (180)	
	550003841	Jkt Front w/ labels (205, 235)	
11	550003826	Jkt Left Side Panel (060-235)	1
12	240012773	Flue Collector Clip	2
*13	109010262	Flue Collector (060)	1
	109010263	Flue Collector (095)	
	109010264	Flue Collector (120)	
	109010265	Flue Collector (150)	
	109010266	Flue Collector (180)	
	109010267	Flue Collector (205)	
14	109010278	Flue Cleanout Plate	1
15	14695301	Screws Hood Assy and Jacket	2
16	14695074	Screw For Front Panel Mount Bushing	12
17	22120103	SCR,10x 3/4",TYPE A,HWS,SZN	4
NS	240012713	Vent Damper Harness	1
NS	240006221	Heyco Split Ring Bushing for GV Harness	1
NS	240002252	1/8" Bushing for TT wires	1
NS	207000004	Wire Clip, One Hole P-Clip	2

*Note Flue Collector shall be secured in place to top of block using 500°F Silicone.

NS = Not Shown

MANIFOLD ASSEMBLY & GAS VALVE

3 SECTION UH15B-060K
SHOWN



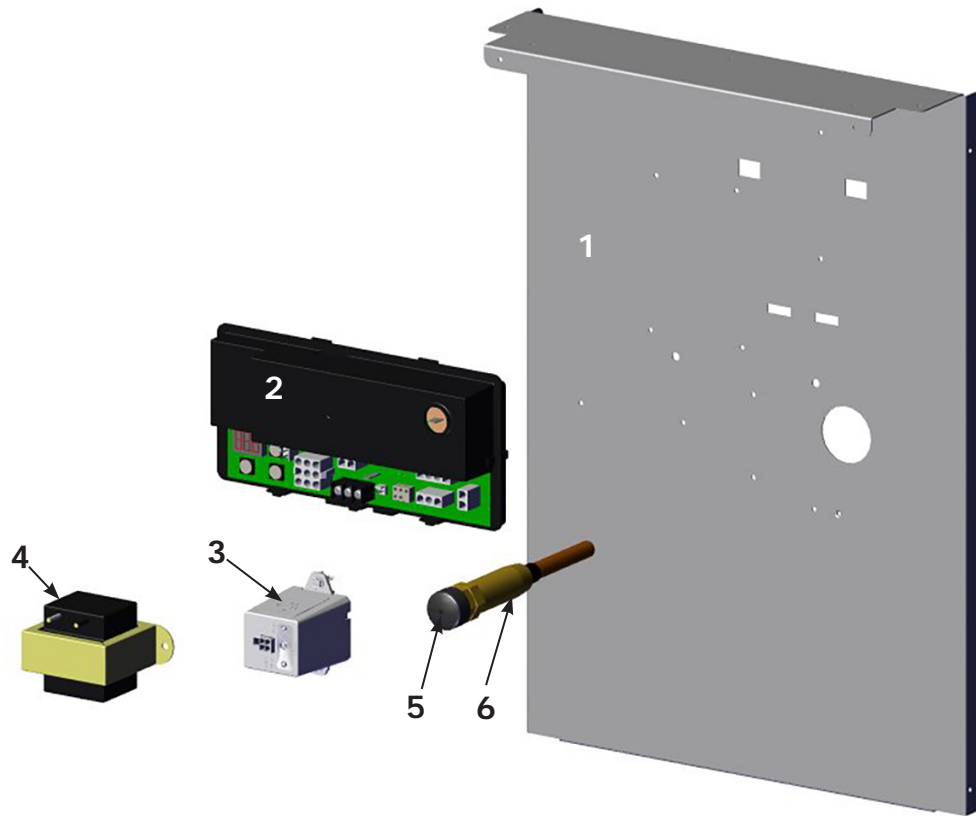
MANIFOLD ASSEMBLY & GAS VALVE

Item	Part No.	Description	Qty.
1	VG01101	VLV,GAS,NAT,1/2x1/2,SPK Nat (060-180)	1
	VG01103	VLV,GAS,NAT,3/4x3/4,SPK, Nat (205-235)	1
2	240012725	Manifold (060)	1
	240012726	Manifold (095)	
	240012727	Manifold (120)	
	240012728	Manifold (150)	
	240012729	Manifold (180)	
	240012730	Manifold (205)	
3	14695074	#10 Screw- Manifold, Burners, Pilot (060)	17
		#10 Screw- Manifold, Burners, Pilot (095)	21
		#10 Screw- Manifold, Burners, Pilot (120)	25
		#10 Screw- Manifold, Burners, Pilot (150)	29
		#10 Screw- Manifold, Burners, Pilot (180)	33
		#10 Screw- Manifold, Burners, Pilot (205)	37
		#10 Screw- Manifold, Burners, Pilot (235)	41
4 NAT	240012911	Orifice, NAT , 1/8", #40 (060)	2
	240012909	Orifice, NAT , 1/8", #38 (095)	3
	240012910	Orifice, NAT , 1/8", #39 (120)	4
	240012910	Orifice, NAT , 1/8", #39 (150)	5
	240012910	Orifice, NAT , 1/8", #39 (180)	6
	240012910	Orifice, NAT , 1/8", #39 (205)	7
	240012910	Orifice, NAT , 1/8", #39 (235)	8
4 LP	240012921	Orifice, LP ,1/8",BRS, #53 (060)	2
	240012920	Orifice, LP ,1/8",BRS, #52 (095)	3
	240012921	Orifice, LP ,1/8",BRS, #53 (120)	4
	240012921	Orifice, LP ,1/8",BRS, #53 (150)	5
	240012921	Orifice, LP ,1/8",BRS, #53 (180)	6
	240012921	Orifice, LP ,1/8",BRS, #53 (205)	7
	240012921	Orifice, LP ,1/8",BRS, #53 (235)	8
5	550003793	Pilot Tube	1
		Pilot Nut	1
		Ferrule, Pilot tube	1
		Pilot Orifice, NAT	1
		Pilot Orifice, LP	1
		Pilot Screen	1
		Pilot Assy	1
		Instructions (240012831)	1
6	109010310	Rollout Switch Bracket (060)	1
	109010311	Rollout Switch Bracket (095)	
	109010312	Rollout Switch Bracket (120)	
	109010313	Rollout Switch Bracket (150)	
	109010314	Rollout Switch Bracket (180)	
	109010315	Rollout Switch Bracket (205)	
	109010316	Rollout Switch Bracket (235)	

Item	Part No.	Description	Qty.
7	AQ02101	Rollout Switch	1
8	HW06501	Rollout Switch Screw	2
9	109010277	Cover View Port,Flame	1
10	240011572	LBL,Caution,Hot	1
11	240012755	Burner (060)	2
		Burner (095)	3
		Burner (120)	4
		Burner (150)	5
		Burner (180)	6
		Burner (205)	7
12	109010269	Plate,Burner,3 Sec,(060)	1
	109010270	Plate,Burner,4 Sec,(095)	
	109010271	Plate,Burner,5 Sec,(120)	
	109010272	Plate,Burner,6 Sec,(150)	
	109010273	Plate,Burner,7 Sec,(180)	
	109010274	Plate,Burner,8 Sec,(205)	
	109010275	Plate,Burner,9 Sec,(235)	
13	109010325	Burner Support T, 3 Sec, (060)	1
	109010326	Burner Support T, 4 Sec, (095)	
	109010327	Burner Support T, 5 Sec, (120)	
	109010328	Burner Support T, 6 Sec, (150)	
	109010329	Burner Support T, 7 Sec, (180)	
	109010330	Burner Support T, 8 Sec, (205)	
	109010331	Burner Support T, 9 Sec, (235)	

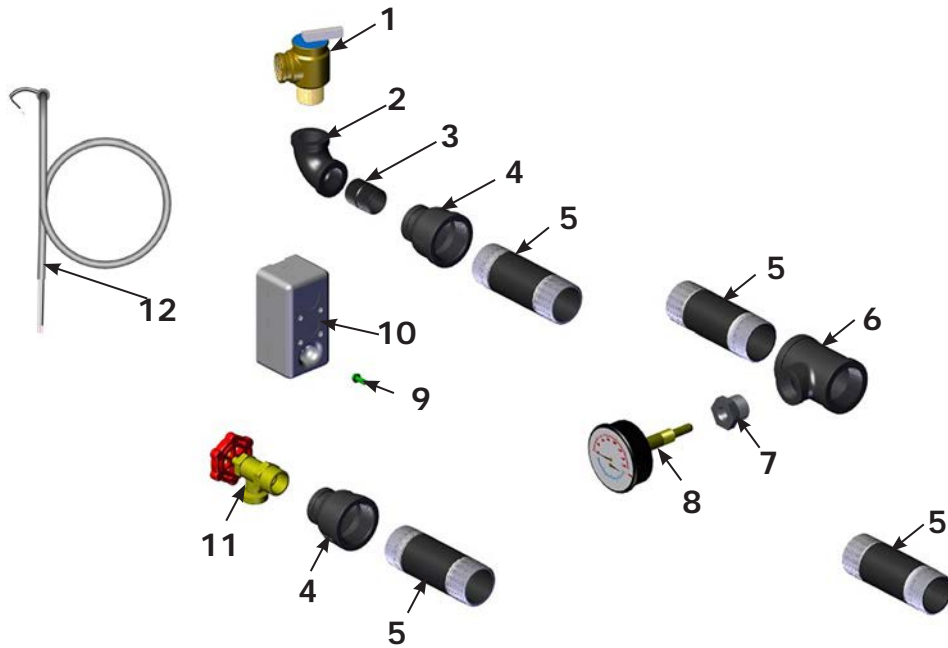
NS = Not Shown

CONTROL PANEL



Item	Part No.	Description	Qty.
1	109010291	Control Panel (060)	1
	109010292	Control Panel (095)	1
	109010293	Control Panel (120)	1
	109010294	Control Panel (150)	1
	109010295	Control Panel (180)	1
	109010296	Control Panel (205)	1
	109010297	Control Panel (235)	1
2	240011101	Honeywell Control	1
3	240011833	Hydrolevel LWCO Control w/ Sensor	1
4	14662046	Transformer	1
5	240007713	Grommet, Hydrolevel	1
6	240012758	Well, Hydrolevel	1
NS	201000024	#8 Screw for LWCO Wire & Transformer	4
NS	HW07701	Ground Screw #8	1
NS	240012713	Vent Damper Harness	1
NS	240012719	Main Harness (060-150)	1
	240012823	Main Harness (180-235)	1
NS	240009680	Warning Label Disconnect Power	2
NS	14695074	#10 Screw, Used for Control Panel	4
NS = Not Shown			

PARTS BOX



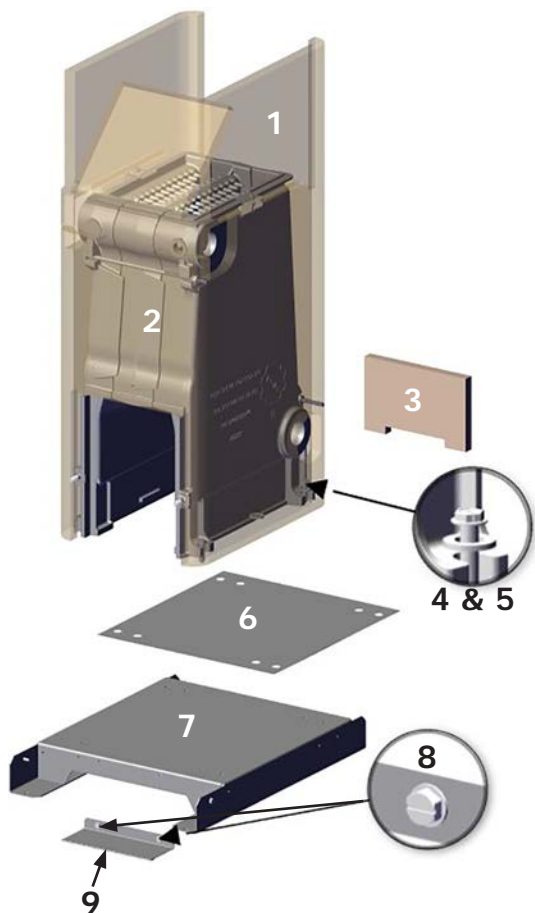
Parts Box Kit 550003796 Includes:

Item	Part No.	Description	Qty.
1	VR-001.01	ASME Relief Valve, 30 PSI, 3/4"	1
2	1190001	Elbow 3/4" 90°	1
3	1310004	Close Nipple 3/4" NPT	1
4	240012815	Reducing Coupling 1-1/4"x 3/4" NPT	2
5	14607017	NPL,1-1/4" x 6" ,BI,STD	4
6	PF05901	Tee 1-1/4" x 1-1/4" x 3/4" NPT	1
7	1060002	Bushing 3/4"x 1/4" NPT	1
8	1260006SP	GA,Temp/Press, 2" Shank	1
9	HW09001	Ground Screw	1
10	212000017	Junction Box 2" x 4" x 1-7/8"	1
11	240009323	Drain Valve 3/4"	1
12	240012712	Circulator Harness, 60"	1
NS	14695074	Screw, #10 for Junction Box	2
NS	206000021	7/8" Hole Plug	3
NS	206000028	1" Hole Plug	1

NS = Not Shown

HEAT EXCHANGER BLOCK AND INSULATION

3 SECTION UH15B-060K SHOWN



When evaluating HTEX block replacement, please review insulation parts if needed

****Note:** Rear Insulation Board shall be secured in place using 400°F Silicone.

Item	Part No.	Description	Qty.
1	240012766	Heat Exchanger Block Insulation Wrap (060)	1
	240012767	Heat Exchanger Block Insulation Wrap (095)	1
	240012768	Heat Exchanger Block Insulation Wrap (120)	1
	240012769	Heat Exchanger Block Insulation Wrap (150)	1
	240012770	Heat Exchanger Block Insulation Wrap (180)	1
	240012771	Heat Exchanger Block Insulation Wrap (205)	1
	240012772	Heat Exchanger Block Insulation Wrap (235)	1
2	912000105	Tested Block 3 Section (060)	1
	912000106	Tested Block 4 Section (095)	1
	912000107	Tested Block 5 Section (120)	1
	901000108	Tested Block 6 Section (150)	1
	912000109	Tested Block 7 Section (180)	1
	912000110	Tested Block 8 Section (205)	1
	912000111	Tested Block 9 Section (235)	1
**3	240012748	Rear Insulation Board (060)	1
	240012749	Rear Insulation Board (095)	1
	240012750	Rear Insulation Board (120)	1
	240012751	Rear Insulation Board (150)	1
	240012752	Rear Insulation Board (180)	1
	240012753	Rear Insulation Board (205)	1
	240012754	Rear Insulation Board (235)	1
4	14695039	SCR, Block to Base 5/16x1-1/4	4
5	HW-008.01	Washer 5/16"	4
6	109010249	Base Liner (060,095)	1
	109010250	Base Liner (120)	1
	109010251	Base Liner (150)	1
	109010252	Base Liner (180)	1
	109010253	Base Liner (205,235)	1
7	109010244	Base (060,095)	1
	109010245	Base (120)	1
	109010246	Base (150)	1
	109010247	Base(180)	1
	109010248	Base (205,235)	1
8	14695074	SCR,10x1/2,TYPE AB,SLT,HWH,SZN	2
9	109010318	Shield, Floor (060)	1
	109010319	Shield, Floor (095)	1
	109010320	Shield, Floor (120)	1
	109010321	Shield, Floor (150)	1
	109010322	Shield, Floor (180)	1
	109010323	Shield, Floor (205)	1
	109010234	Shield, Floor (235)	1

NS = Not Shown

CONVERSION KITS

NATURAL GAS TO PROPANE (LP) CONVERSION KIT	
Part No.	Description
550003778	Kit, Conversion, Natural to LP (All Sizes)

LP TO NATURAL GAS CONVERSION KIT	
Part No.	Description
550003884	Kit, Conversion, LP to Natural (060,120,150,180,205,235)



2201 Dwyer Avenue, Utica, NY 13501

Tel. 800 253 7900

www.ecrinternational.com

All specifications subject to change without notice.

©2020 ECR International, Inc.