



# MGB

## CAST IRON GAS FIRED BOILERS FOR FORCED HOT WATER With Hydrolevel Control

**Models**  
**MGB-060K**  
**MGB-095K**  
**MGB-120K**  
**MGB-150K**  
**MGB-175K**  
**MGB-205K**  
**MGB-235K**

### **PARTS, KITS & OPTIONAL ACCESSORIES**

Ordering Instructions

Order Parts through your nearest supplier.

When ordering parts, obtain Model Number and Serial Number from data plate on your boiler.

Include following information when ordering.

Part Number \_\_\_\_\_

Part Description \_\_\_\_\_

Boiler Model Number \_\_\_\_\_

Boiler Serial Number \_\_\_\_\_

Check our website frequently for updates: [www.ecrinternational.com](http://www.ecrinternational.com)

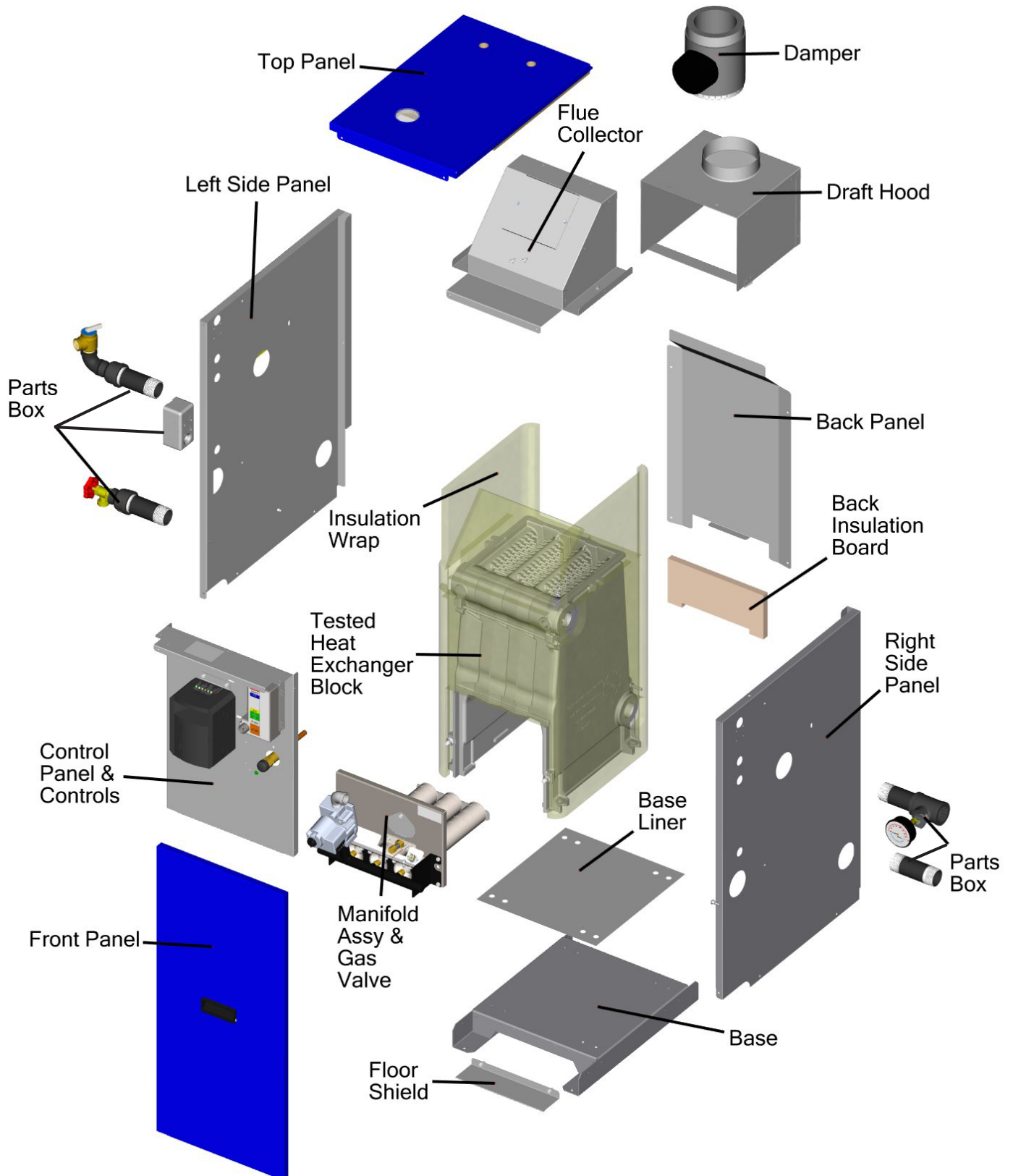


**Manufactured by:**  
ECR International Inc.  
2201 Dwyer Avenue, Utica, NY 13501  
Tel. 800 253 7900  
[www.ecrinternational.com](http://www.ecrinternational.com)  
PN 240012802 REV. C [11/15/2020]

## TABLE OF CONTENTS

<b>Table of Contents</b>	<b>Page(s)</b>
Jacket, Flue and Draft Hood	4 & 5
Manifold Assembly & Gas Valve	6 & 7
Control Panel	8
Parts Box	9
Heat Exchanger & Insulation	10
Conversion Kits	11

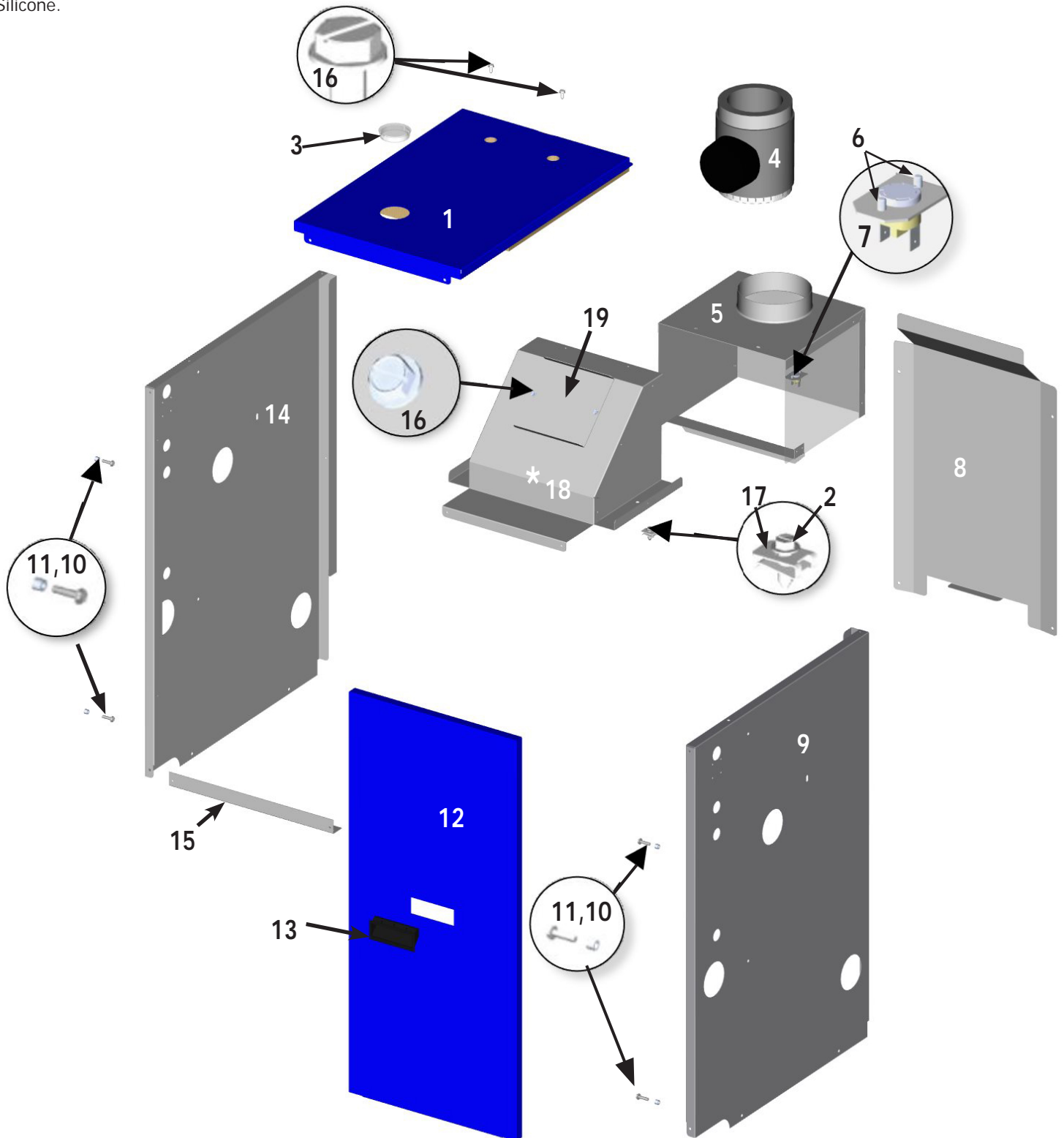
# BOILER EXPLODED VIEW - 4 SECTION (MGB-095K) SHOWN



# JACKET, FLUE AND DRAFT HOOD

## MGB-095K/ 4 SECTION/ SHOWN

\*Note: Flue Collector shall be secured in place to top of block using 500°F Silicone.



## JACKET, FLUE AND DRAFT HOOD

Item	Part No.	Description	Qty.
1	550003806	Jkt Top Panel w/ Labels & Snap in Window (060, 095)	1
	550003807	Jkt Top Panel w/ Labels & Snap in Window (120)	
	550003808	Jkt Top Panel w/ Labels & Snap in Window (150)	
	550003809	Jkt Top Panel w/ Labels & Snap in Window (175)	
	550003810	Jkt Top Panel w/ Labels & Snap in Window (205, 235)	
2	14695070	Screw Flue Collector To Block	2
3	240012774	Clear Snap-in Window	1
4	240006936	4" Damper (060)	1
	240006937	5" Damper (095)	
	240006938	6" Damper (120, 150)	
	240006939	7" Damper (175, 205, 235)	
NS	240012713	Vent Damper Harness	1
5	109010255	Draft Hood (060)	1
	109010256	Draft Hood (095)	
	109010257	Draft Hood (120)	
	109010258	Draft Hood (150)	
	109010259	Draft Hood (175)	
	109010260	Draft Hood (205)	
	109010261	Draft Hood (235)	
6	HW06501	Screw for Spill Switch	1
7	AQ02101	Spill Switch	1
8	109010298	Jkt Back Panel (060, 095)	1
	109010299	Jkt Back Panel (120)	
	109010300	Jkt Back Panel (150)	
	109010301	Jkt Back Panel (175)	
	109010302	Jkt Back Panel (205,235)	
9	550003804	Jkt Side Right Panel w/ labels	1
10	240012789	Front Panel Mount Bushing	4
11	2120103	Screw For Front Panel Mount Bushing	4

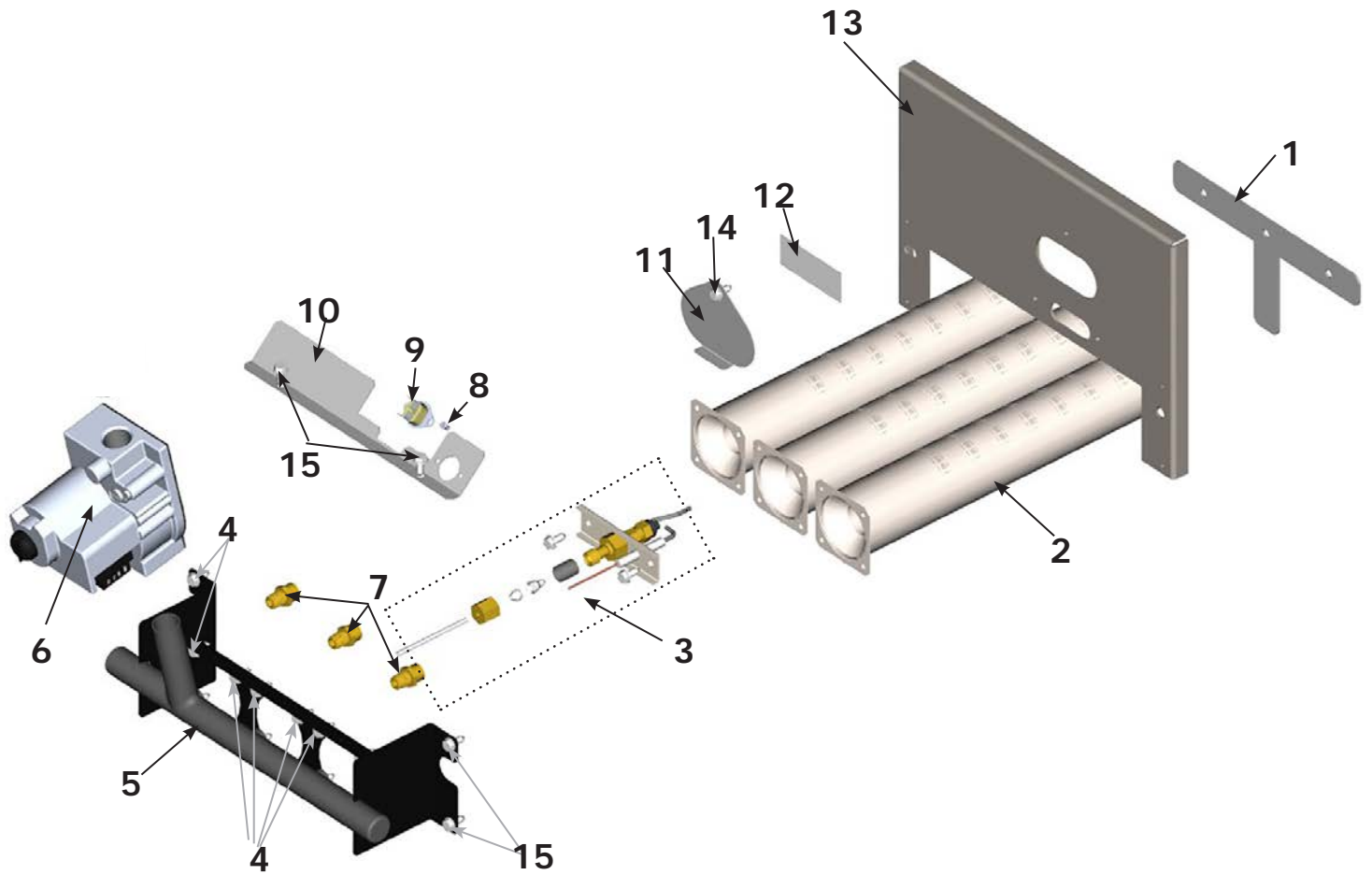
Item	Part No.	Description	Qty.
12	550003811	Jkt Front w/ labels (060, 095)	1
	550003812	Jkt Front w/ labels (120)	
	550003813	kt Front w/ labels (150)	
	550003814	kt Front w/ labels (175)	
	550003815	kt Front w/ labels (205, 235)	
13	28673	Grab Handle	1
14	550003805	Jkt Side Left Panel	1
15	109010411	Tie Bar (060,095)	1
	109010412	Tie Bar (120)	
	109010413	Tie Bar (150)	
	109010414	Tie Bar (175)	
	109010415	Tie Bar (205,235)	
16	14695074	Screws for Hood Assy, Jacket & Cleanout Plate	14
17	240012773	Flue Collector Clip	2
*18	109010262	Flue Collector (060)	1
	109010263	Flue Collector (095)	
	109010264	Flue Collector (120)	
	109010265	Flue Collector (150)	
	109010266	Flue Collector (175)	
	109010267	Flue Collector (205)	
	109010268	Flue Collector (235)	
	19	109010278	
NS	207000004	Wire Clip, One Hole P-clip	2

\*Note Flue Collector shall be secured in place to top of block using 500°F (260°C) Silicone.

NS = Not Shown

# MANIFOLD ASSEMBLY & GAS VALVE

MGB-095K/ 4 SECTION/ SHOWN



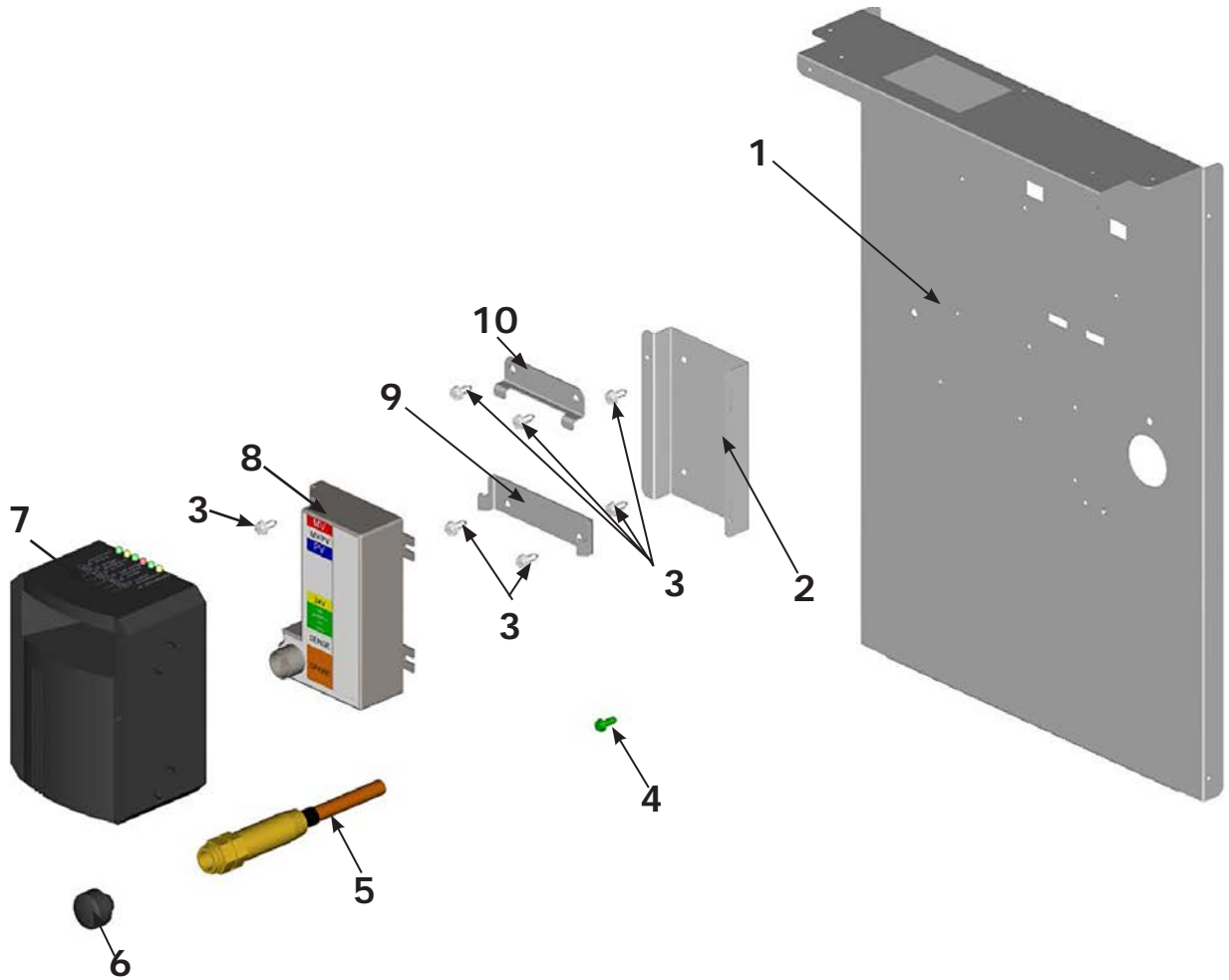
## MANIFOLD ASSEMBLY & GAS VALVE

Item	Part No.	Description	QTY.
1	109010325	Burner Support T, 3 Sec, (060)	1
	109010326	Burner Support T, 4 Sec, (095)	
	109010327	Burner Support T, 5 Sec, (120)	
	109010328	Burner Support T, 6 Sec, (150)	
	109010329	Burner Support T, 7 Sec, (175)	
	109010330	Burner Support T, 8 Sec, (205)	
	109010331	Burner Support T, 9 Sec, (235)	
2	240012755	Burner (060)	2
		Burner (095)	3
		Burner (120)	4
		Burner (150)	5
		Burner (175)	6
		Burner (205)	7
		Burner (235)	8
3	550003793	Pilot Assy	1
		Pilot Orifice, NAT	1
		Pilot Orifice, LP	1
		Pilot Nut	1
		Pilot Tube	1
		Pilot Screws	2
		Pilot Compression Fitting	1
		Pilot Screen	1
		Instructions (240012831)	1
4	HW09001	#10 Screw- Manifold, Burners, Pilot (060)	17
		#10 Screw- Manifold, Burners, Pilot (095)	21
		#10 Screw- Manifold, Burners, Pilot (120)	25
		#10 Screw- Manifold, Burners, Pilot (150)	29
		#10 Screw- Manifold, Burners, Pilot (175)	33
		#10 Screw- Manifold, Burners, Pilot (205)	37
		#10 Screw- Manifold, Burners, Pilot (285)	41
5	240012732	Gas Manifold (060)	1
	240012733	Gas Manifold (095)	
	240012734	Gas Manifold (120)	
	240012735	Gas Manifold (150)	
	240012736	Gas Manifold (175)	
	240012737	Gas Manifold (205)	
	240012738	Gas Manifold (235)	
6	VG01101	VLV,GAS,NAT,1/2x1/2,SPK (060-175)	1
	VG01103	VLV,GAS,NAT,3/4x3/4,SPK (205-235)	1

Item	Part No.	Description	QTY.
7 <i>Nat</i>	240012911	Orifice, <b>NAT</b> , 1/8", #40 (060)	2
	240012909	Orifice, <b>NAT</b> , 1/8", #38 (095)	3
	240012910	Orifice, <b>NAT</b> , 1/8", #39 (120)	4
	240012910	Orifice, <b>NAT</b> , 1/8", #39 (150)	5
	240012910	Orifice, <b>NAT</b> , 1/8", #39 (175)	6
	240012910	Orifice, <b>NAT</b> , 1/8", #39 (205)	7
	240012910	Orifice, <b>NAT</b> , 1/8", #39 (235)	8
7 <i>LP</i>	240012921	Orifice, <b>LP</b> , 1/8", BRS, #53 (060)	2
	240012920	Orifice, <b>LP</b> , 1/8", BRS, #52 (095)	3
	240012921	Orifice, <b>LP</b> , 1/8", BRS, #53 (120)	4
	240012921	Orifice, <b>LP</b> , 1/8", BRS, #53 (150)	5
	240012921	Orifice, <b>LP</b> , 1/8", BRS, #53 (175)	6
	240012921	Orifice, <b>LP</b> , 1/8", BRS, #53 (205)	7
	240012921	Orifice, <b>LP</b> , 1/8", BRS, #53 (235)	8
8	HW06501	Rollout Switch Screw	2
9	AQ02101	Rollout Switch	1
10	109010310	Rollout Switch Bracket (060)	1
	109010311	Rollout Switch Bracket (095)	
	109010312	Rollout Switch Bracket (120)	
	109010313	Rollout Switch Bracket (150)	
	109010314	Rollout Switch Bracket (175)	
	109010315	Rollout Switch Bracket (205)	
	109010316	Rollout Switch Bracket (235)	
11	109010277	Cover View Port,Flame	1
12	240011572	Caution Label	1
13	109010269	Plate,Burner,3 Sec,(060)	1
	109010270	Plate,Burner,4 Sec,(095)	
	109010271	Plate,Burner,5 Sec,(120)	
	109010272	Plate,Burner,6 Sec,(150)	
	109010273	Plate,Burner,7 Sec,(175)	
	109010274	Plate,Burner,8 Sec,(205)	
	109010275	Plate,Burner,9 Sec,(235)	
14	14695074	#10 Screw, sheet metal	VAR

NS = Not Shown

# CONTROL PANEL



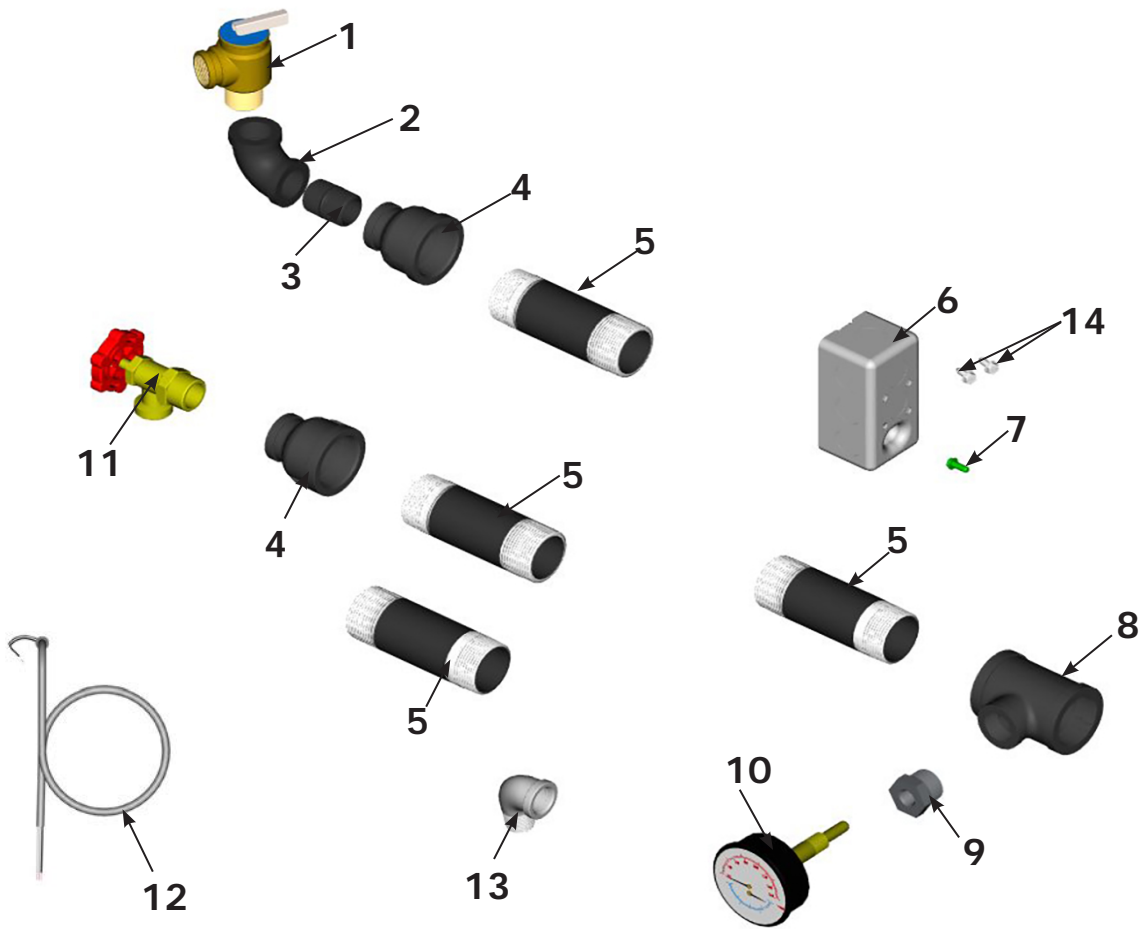
Item	Part No.	Description	QTY.
1	109010291	Control Panel (060)	1
	109010292	Control Panel (095)	1
	109010293	Control Panel (120)	1
	109010294	Control Panel (150)	1
	109010295	Control Panel (175)	1
	109010296	Control Panel (205)	1
	109010297	Control Panel (235)	1
2	109008481AD	Bracket- Spark Box Standoff	1
3	14695074	Screw #10 X 1/2" , A Point, Panel	7
4	HW07701	Ground Screw #8	1
5	240012758	Sensor Well	1
6	240007713	Grommet, Hydrolevel	1
7	240012842	Hydrolevel Control	1
8	14662070	Spark Box	1

Item	Part No.	Description	QTY.
9	109010333	Bracket, Lower, Control	1
10	109010332	Bracket, Upper, Control	1
NS	240012711	Main Wire Harness (060-150)	1
	240012714	Main Wire Harness (175-235)	1
NS	240009680	Warning Label Disconnect Power	1
NS	240012635	2 Ft LWCO Sensor Cable	1
NS	240012713	Vent Damper Harness	1
NS	14693011	Split Ring Grommet for Control Bx	1

NS = Not Shown



## PARTS BOX



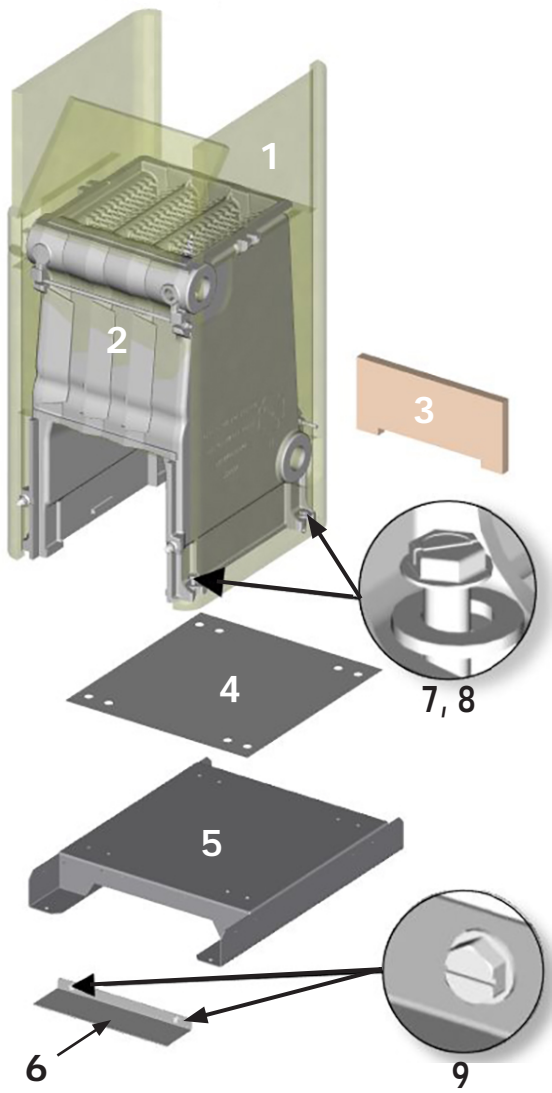
060 / 095 / 120 / 150 / 175 Parts Box Kit 550003794 Includes:			
Item	Part No.	Description	QTY.
1	VR-001.01	ASME Relief Valve, 30 PSI, 3/4"	1
2	1190001	Pipe, Elbow 3/4" 90°	1
3	1310004	Close Nipple 3/4" NPT	1
4	240012815	Reducing coupling 1-1/4" x 3/4" NPT	2
5	14607017	NPL, 1-1/4" x 6" ,BI,STD	4
6	212000017	Box, Junction, 2" x 4" x 1-7/8"	1
7	HW09001	Ground Screw #10	1
8	PF05901	Tee 1-1/4" x 1-1/4" x 3/4" NPT	1
9	1060002	Bushing 3/4" x 1/4" NPT	1
10	1260006SP	GA, Temp/Press, 2" Shank	1
11	240009323	Drain Valve 3/4"	1
12	240012712	Harness, Circulator, 60"	1
13	240012828	ELB, 90°, ST, 1/2NPT, BI (060-175)	1
14	14695074	Screw, #10 For Junction Box	2
NS	206000021	Panel Hole Plug	3

205 / 235 Parts Box Kit 550003795 Includes:			
Item	Part No.	Description	QTY.
1	VR-001.01	ASME Relief Valve, 30 PSI, 3/4"	1
2	1190001	Pipe, Elbow 3/4" 90°	1
3	1310004	Close nipple 3/4" NPT	1
4	240012815	Reducing coupling 1-1/4" x 3/4" NPT	2
5	14607017	NPL, 1-1/4" x 6" ,BI,STD	4
6	212000017	Box, Junction, 2" x 4" x 1-7/8"	1
7	HW09001	Ground Screw #10	1
8	PF05901	Tee 1-1/4" x 1-1/4" x 3/4" NPT	1
9	1060002	Bushing 3/4" x 1/4" NPT	1
10	1260006SP	GA, Temp/Press, 2" Shank	1
11	240009323	Drain Valve 3/4"	1
12	240012712	Harness, Circulator, 60"	1
13	240012828	ELB, 90°, ST, 1/2NPT, BI (060-175)	1
14	14695074	Screw, #10 For Junction Box	2
NS	206000021	Panel Hole Plug	3

NS = Not Shown

# HEAT EXCHANGER BLOCK AND INSULATION

MGB-095K/ 4 SECTION SHOWN



Item	Part No.	Description	QTY.
1	240012766	Heat Exchanger Block Insulation Wrap (060)	1
	240012767	Heat Exchanger Block Insulation Wrap (095)	1
	240012768	Heat Exchanger Block Insulation Wrap (120)	1
	240012769	Heat Exchanger Block Insulation Wrap (150)	1
	240012770	Heat Exchanger Block Insulation Wrap (175)	1
	240012771	Heat Exchanger Block Insulation Wrap (205)	1
	240012772	Heat Exchanger Block Insulation Wrap (235)	1
2	912000105	Tested Block 3 Section (060)	1
	912000106	Tested Block 4 Section (095)	1
	912000107	Tested Block 5 Section (120)	1
	901000108	Tested Block 6 Section (150)	1
	912000109	Tested Block 7 Section (175)	1
	912000110	Tested Block 8 Section (205)	1
	912000111	Tested Block 9 Section (235)	1
**3	240012748	Rear Insulation Board (060)	1
	240012749	Rear Insulation Board (095)	1
	240012750	Rear Insulation Board (120)	1
	240012751	Rear Insulation Board (150)	1
	240012752	Rear Insulation Board (175)	1
	240012753	Rear Insulation Board (205)	1
	240012754	Rear Insulation Board (235)	1
4	109010249	Base Liner (060,095)	1
	109010250	Base Liner (120)	1
	109010251	Base Liner (150)	1
	109010252	Base Liner (175)	1
	109010253	Base Liner (205,235)	1
5	109010244	Base (060,095)	1
	109010245	Base (120)	1
	109010246	Base (150)	1
	109010247	Base(175)	1
	109010248	Base (205,235)	1
6	109010318	Shield, Floor (060)	1
	109010319	Shield, Floor (095)	1
	109010320	Shield, Floor (120)	1
	109010321	Shield, Floor (150)	1
	109010322	Shield, Floor (175)	1
	109010323	Shield, Floor (205)	1
	109010234	Shield, Floor (235)	1
7	14695039	SCR, Block to Base 5/16"x1-1/4"	4
8	HW-008.01	Washer 5/16"	4
9	14695074	SCR, 10x1/2", TYPE AB,SLT,HWH,SZN	2

When evaluating HTEX block replacement, please review insulation parts if needed

**\*\*Note:** Rear Insulation Board shall be secured in place using 400°F Silicone.

## CONVERSION KITS

NATURAL GAS TO PROPANE (LP) CONVERSION KIT	
Part No.	Description
550003778	Kit, Conversion, Natural to LP (all sizes)

PROPANE (LP) TO NATURAL GAS CONVERSION KIT	
Part No.	Description
550003884	Kit, Conversion, LP to Natural (all sizes)



2201 Dwyer Avenue, Utica, NY 13501  
Tel. 800 253 7900  
[www.ecrinternational.com](http://www.ecrinternational.com)

All specifications subject to change without notice.  
©2020 ECR International, Inc.