

VERTICAL LOUVER KIT INSTALLATION FOR UNIT HEATERS

OPTION CD1 FOR MODELS UBX, UBZ, UDX, UDX, AND UEZ

Vertical louvers are designed to direct discharge air to provide a wider throw pattern. This vertical louver option applies to separated-combustion unit heater models UBX, UBZ, UDX, UDX, and UEZ. Ensure that all components listed in [Table 1](#) are available before beginning installation.

Table 1. Option CD1 Kit Components								
Component	Unit Size (UBX, UBZ, UDX, UDX)						Unit Size (UEZ)	
	030, 045	060, 075	100, 125	150, 175, 200	225, 250	300, 350, 400	130, 180	260, 310
	PN (Quantity)							
Kit package	1036298 (1)	1036299 (1)	1036300 (1)	1036301 (1)	1036302 (1)	1036303 (1)	1036304 (1)	1036303 (1)
Frame, louver	1028413 (1)	1028433 (1)	1028443 (1)	1033695 (1)	1033715 (1)	1033728 (1)	1033902 (1)	1033728 (1)
Louver	1028418 (5)	1028434 (5)	1028441 (5)	1033904 (8)	1033961 (8)	1033730 (8)	1033904 (8)	1033730 (8)
Spring, compression	195046 (5)			195046 (8)			195046 (8)	

INSTALLATION

Install the vertical louver kit as follows (see [Figure 1](#)):

1. If heater is installed, turn OFF gas and electric power. Allow time for louvers to cool before proceeding.
2. Remove each horizontal louver by pushing louver toward spring to release louver.
3. Remove screws that secure face plate assembly to front of unit and remove face plate assembly.
4. In face plate opening for louver frame, remove screws from face plate.

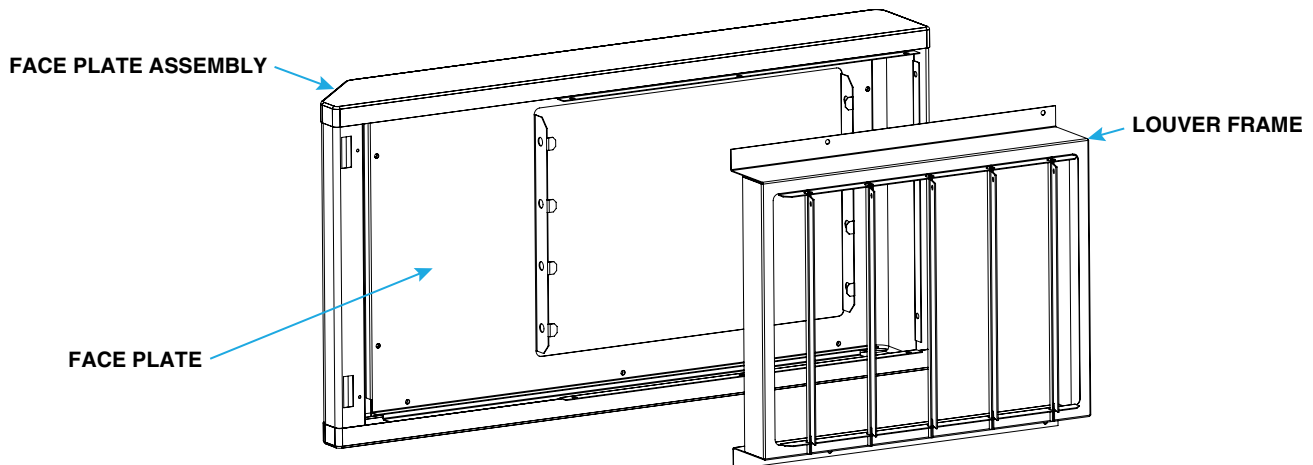


Figure 1. Typical Face Plate Assembly and Louver Frame

⚠ DANGER ⚠

- Improper installation, adjustment, alteration, service, or maintenance can cause property damage, injury, or death. Read the installation, operation, and maintenance instructions thoroughly before installing or servicing this equipment.
- Installation should be done by a qualified agency in accordance with these instructions and in compliance with all codes and requirements of authorities having jurisdiction.

DO NOT DESTROY. PLEASE READ CAREFULLY. KEEP IN A SAFE PLACE FOR FUTURE REFERENCE.

INSTALLATION—CONTINUED

5. Position louver frame in face plate so that holes align and secure frame through face plate to face plate assembly using screws removed in step 4.
6. Install face plate assembly and secure to front of unit using screws removed in step 3.

NOTE: Before installing the louvers, note the louver curve and determine how the louvers should be positioned to provide the optimal throw pattern. Depending on where the heater is installed and on the desired airflow direction, the louvers may be installed with their curves all in the same direction (either way) or the right half one way and the left the other.

7. Install vertical louvers in louver frame:
 - a. On notched end of louver, slide compression spring over tab.

NOTE: Depending on the desired throw pattern, the end of the louvre with the spring can go either into the frame top or bottom.

- b. With wider louver blade facing in toward heat exchanger, push tab with compression spring into hole in top or bottom louver frame (see [Figure 2](#))—spring compresses. Insert tab on other end of louver into opposite louver frame. For left airflow, compress spring into top louver frame. For right airflow, compress spring into bottom louver frame.

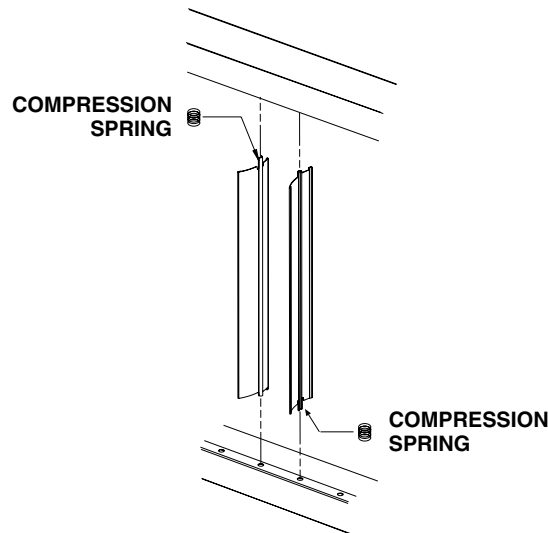


Figure 2. Louver Installation

- c. Install all remaining louvers in accordance with step 7b.
8. Install horizontal louvers removed in step 2.

⚠ WARNING ⚠

To avoid burns, adjust louvers while heater is not in operation. If louvers must be adjusted while heater is operating, wear protective gloves.

9. Adjust horizontal and vertical louvers to provide desired throw pattern.
10. Turn ON gas and electric power.
11. Light heater in accordance with lighting instructions.
12. Check for proper operation.

