

UEZ Series

**High Efficiency, Separated Combustion,
Low Static Axial Fan Commercial/
Industrial Unit Heaters**
91 – 93% Thermal Efficiency



Reznor® Model UEZ gas-fired unit heaters are available in 14 sizes ranging from 131,000 to 305,000 BTUH gas input. Model UEZ heaters are approved for installation in the United States and Canada by ETL. The MacroChannel® secondary heat exchanger has a 1/2" PVC pipe for attaching a coupling for ease of installation and cleaning of the required condensate drain. A 4" PVC cleanout cap that is drilled and tapped for a 1/2" NPT fitting is furnished with the heater for attaching the vent condensate drain.

Reznor® Model UEZ unit heaters offer a sleek design sure to complement any space. The UEZ features a two-tone black and white powder coated, scratch-resistant paint scheme with a single red louver. Each unit has clean rounded corners and edges with no visible screws or fasteners, and the bottom is embossed with the Reznor logo. Model UEZ unit heaters provide the same superior performance customers have relied on for more than 100 years along with added features that make servicing the unit easier, installation safer and improve monitoring capabilities.

FEATURES and BENEFITS

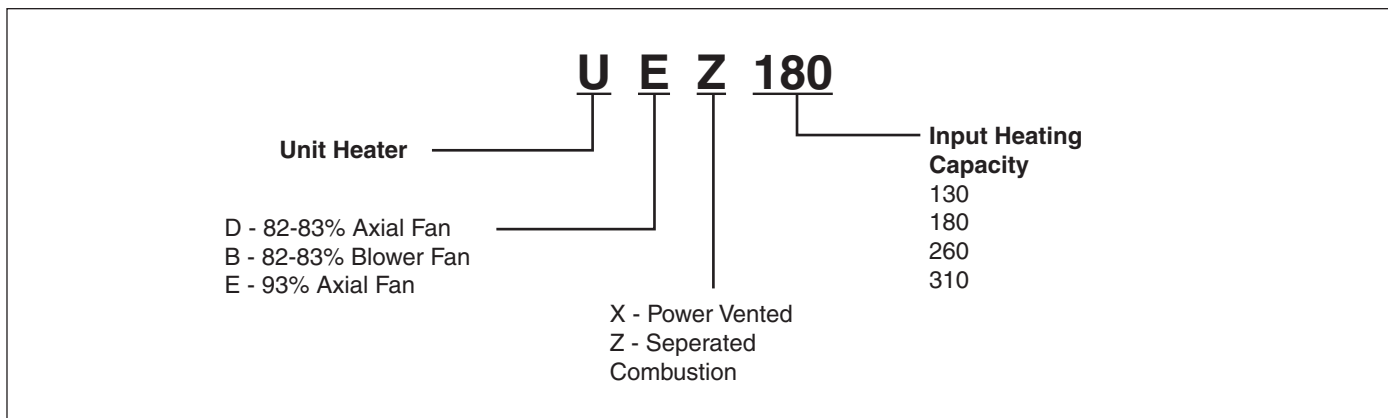
- Arranged for use with natural gas (propane conversion kit included with unit)
- 50-60°F temperature rise range
- Integrated circuit board with 7 segment display
- External status indicating LED
- Hinged door with ¼ turn latch
- Improved cabinet design with removeable front face and two tone white and black powder paint.
- Reznor logo embossed on bottom of unit
- Tcore3 409 stainless steel primary heat exchanger with extruded aluminum MacroChannel secondary heat exchanger
- Patented single burner combustion system including a one-piece burner assembly
- 115V, 1 phase, 60 Hz supply voltage
- 115V open fan motor with internal overload protection
- Transformer for 24-volt controls
- Multi-try direct ignition with timed lockout
- Fan relay (included on the circuit board)
- Single-stage natural gas valve
- Vibration/noise isolated fan motor
- Sealed control compartment houses all electrical components
- 48 frame, ball bearing, PSC venter motor
- 4-point Suspension
- Built-in disconnect switch (20A @ 115V Rating)
- External terminal strip for 24-volt wiring
- Sealed junction box for supply wiring
- External gas connection
- Fully gasketed door panel with safety door switch
- Full fan guard ~ engineered for safety

OPTIONAL FEATURES

- Totally enclosed fan motor (115v only)
- Horizontal or vertical combustion air/vent kit including concentric adapter^B
- Thermostat
- Thermostat guard with locking cover
- Vertical louvers
- Downturn nozzle kits
- Manual shutoff valves

^B Selection of either a horizontal or vertical combustion air/vent kit is required

MODEL IDENTIFICATION CODES



TECHNICAL DATA

Size		130	180	260	310
Input Heating Capacity	BTUH	131,000	175,000	260,000	305,000
	kw/h	38.4	51.2	76.1	89.3
Thermal Efficiency (%)		93	91	92	91
Output Heating Capacity ^c	BTUH	121,830	159,250	239,200	277,550
	kw/h	35.7	46.6	70.0	81.3
Gas Connection (inches) ^d	Natural	1/2	1/2	3/4	3/4
	Propane	1/2	1/2	3/4	3/4
Vent Connection Size (in. diameter)		4	4	4	4
Combustion Air Inlet (in. diameter)		6	6	6	6
Control Amps (24 volt)		1.0	1.0	1.0	1.0
Full Load Amps (115 volt)		6.3	6.3	10	10
Maximum Over Current Protection (115V) ^e		15	15	20	20
Normal Power Consumption (watts)		657	657	1020	1020
Discharge Air Temperature Rise (°F)		50	60	50	60
Air Volume	CFM	2256	2458	4430	4283
	M ³ /minute	63.9	69.6	125.4	121.3
Discharge Air Opening Area (ft ²)		2.56	2.56	4.79	4.79
Output Velocity	FPM	883	962	924	894
	M/minute	269	293	282	272
Fan Motor HP	Standard	1/4	1/4	1/2	1/2
	Optional Enclosed	1/4	1/4	1/2	1/2
Fan Motor RPM		1050	1050	1050	1050
Fan Diameter (inches)		18	18	24	24
Approximate Condensate per Hour	Gallons	1	1	2	2
	Liters	3.8	3.8	7.6	7.6
Approximate Net Weight	lbs	242	262	380	427
	kg	110	119	172	194
Approximate Ship Weight	lbs	267	287	405	452
	kg	121	130	184	205

^c CSA rating for altitudes to 2000 ft.

^d Size shown is for gas connection to a single stage gas valve, not supply line size.

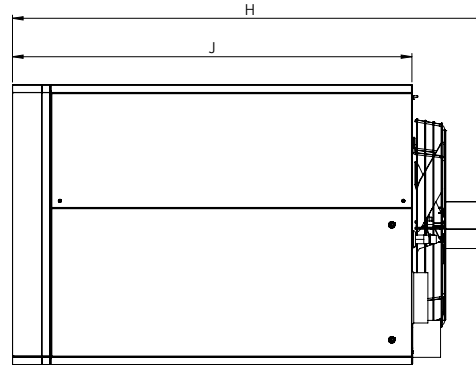
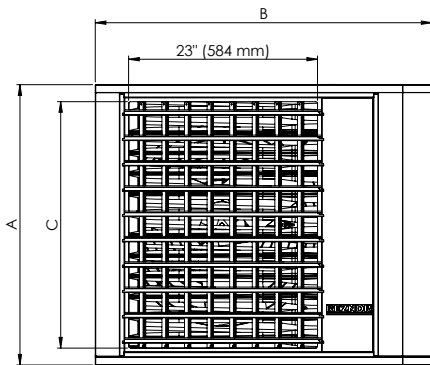
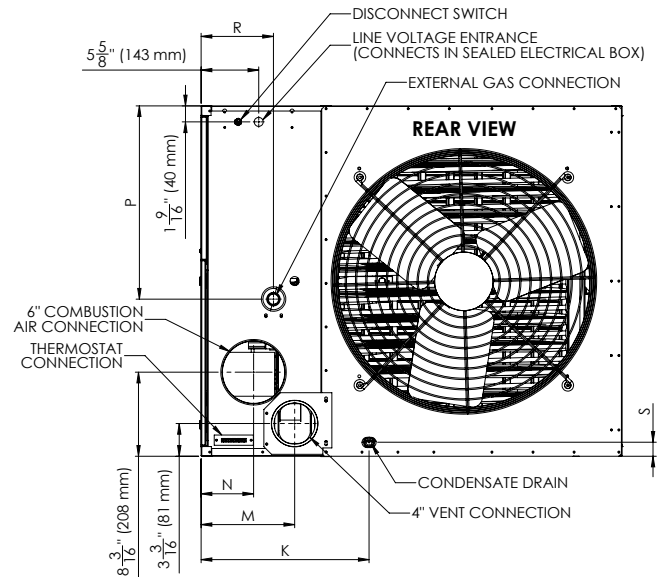
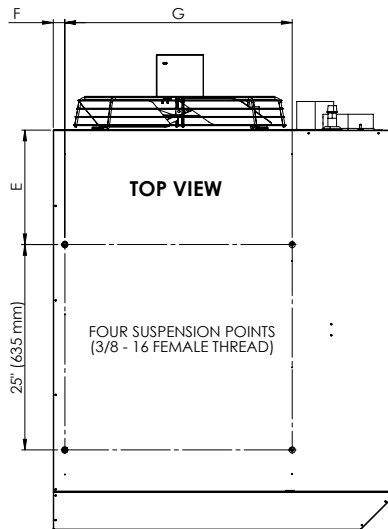
^e Smaller or larger vent pipe diameters may be allowed; refer to the Venting Installation Manual, Form I-V-PV. If vent diameter is different from vent connection, reducer/enlargers will be field-required.

^f MOP = 2.25 x largest motor FLA + remaining load. Answer is rounded down to the next size of commercially available circuit breaker or fuse.

^g All other information in this table is based on a heater equipped with a standard 115 volt open fan motor."

DIMENSIONS

Size (in)	A	B	C	D	F	G	H	J	K	M	N	P	R	S
130, 180	20 1/8	39 3/16	16	11 31/32	2 3/8	25 11/16	55 13/32	46 1/32	15 19/32	8 5/16	4 5/16	5 1/16	6 9/32	1 3/4
260, 310	34 1/8	41	30	13 31/32	1 13/32	27 11/16	58	48 21/32	16 15/32	9 3/32	5 3/32	18 13/16	7 1/32	1 3/8
Size (mm)	A	B	C	D	F	G	H	J	K	M	N	P	R	T
130, 180	511	995	406	304	60	652	1407	1169	396	211	110	129	160	45
260, 310	867	1041	762	355	36	703	1473	1236	418	231	129	478	179	35



CLEARANCES FROM COMBUSTIBLES

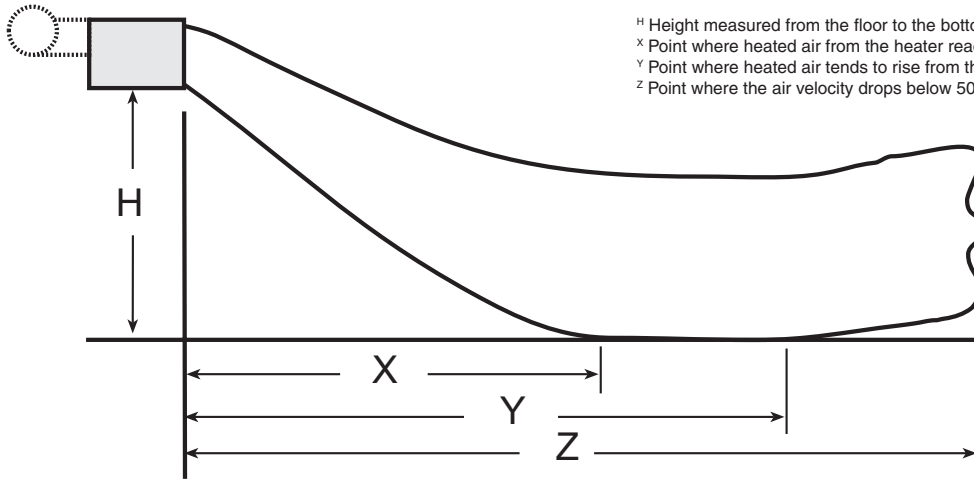
Top		Flue Connector		Access Panel ^J		Non-Access Side		Bottom ^K		Rear ^L	
inches	mm	inches	mm	inches	mm	inches	mm	inches	mm	inches	mm
4	102	6	152	18	457	2	51	1	25	18	457

^J Access Panel clearance is required for service clearance to controls

^K Suspend the heater so that the bottom is a minimum of 5' (1.5M) above the floor.

^L Rear clearance is required for air movement. Rear clearance should be measured from the fan motor.

THROW/FLOOR COVERAGE



- ^H Height measured from the floor to the bottom of the unit heater.
- ^X Point where heated air from the heater reaches the floor.
- ^Y Point where heated air tends to rise from the floor.
- ^Z Point where the air velocity drops below 50 feet per minute (254 mm/sec).

Dimensions in Feet

Mounting Height	Size															
	130				180				260				310			
	X	Y	Z	Lvr. Angle	X	Y	Z	Lvr. Angle	X	Y	Z	Lvr. Angle	X	Y	Z	Lvr. Angle
8	13	24	73	-26°	16	30	93	-20°	15	28	94	-24°	17	31	105	-20°
10	14	24	69	-32°	17	31	91	-25°	16	28	89	-29°	18	32	103	-25°
12	14	24	64	-39°	18	31	88	-30°	17	28	85	-34°	19	32	98	-30°
14	14	22	59	-45°	19	30	84	-34°	17	27	80	-40°	20	32	95	-34°
16	13	20	53	-51°	19	29	79	-39°	17	25	74	-45°	21	31	90	-38°
18	11	17	44	-58°	19	28	74	-44°	16	24	66	-51°	20	30	85	-43°
18	--	--	--	--	--	--	--	--	14	22	53	-52°	--	--	--	--

Louver angle listed in the table is relative to the top of the unit heater.

Dimensions in Meters

Mounting Height	Size															
	130				180				260				310			
	X	Y	Z	Lvr. Angle	X	Y	Z	Lvr. Angle	X	Y	Z	Lvr. Angle	X	Y	Z	Lvr. Angle
2.4	4	7	22	-26°	5	9	28	-20°	5	9	29	-24°	5	9	32	-20°
3	4	7	21	-32°	5	9	28	-25°	5	9	27	-29°	6	10	31	-25°
3.7	4	7	20	-39°	6	9	27	-30°	5	9	26	-34°	6	10	30	-30°
4.3	4	7	18	-45°	6	9	26	-34°	5	8	24	-40°	6	10	29	-34°
4.9	4	6	16	-51°	6	9	24	-39°	5	8	23	-45°	6	9	27	-38°
5.5	3	5	13	-58°	6	9	23	-44°	5	7	20	-51°	6	9	26	-43°
18	--	--	--	--	--	--	--	--	14	22	53	-52°	--	--	--	--

Louver angle listed in the table is relative to the top of the unit heater.

GENERAL INFORMATION

WARNING: Gas-fired appliances are not designed for use in hazardous atmospheres containing flammable vapors or combustible dust, or atmospheres containing chlorinated or halogenated hydrocarbons.

Installations in public garages or airplane hangars are permitted when in accordance with ANSI Z223.1 and NFPA 54 codes or CAN1-B149 and enforcing authorities.

FOR YOUR SAFETY

What to do if you smell gas:

- Do not try to light any appliance.
 - Do not touch any electrical switch; do not use any phone in your building.
 - Immediately call your gas supplier from a neighbor's phone. Follow the gas supplier's instructions.
 - If you cannot reach your gas supplier, immediately call your fire department.
-

FOR YOUR SAFETY

Do not store or use gasoline or other flammable vapors and liquids in the vicinity of this or any other appliance.

WARNING: Improper installation, adjustment, alteration, service, or maintenance can cause property damage, injury, or death. Read the installation, operation, and maintenance instructions thoroughly before installing or servicing this equipment.

Requirements for installation vary depending on the model of heater and the type of installation. Follow the manufacturer's instructions and comply with all applicable codes.



We Encourage
Professionalism

Through Technician
Certification by NATE



HRAI
✓ MEMBER COMPANY

For complete catalog information including submittals,
energy calculations, dimension drawings, and more go to
www.ReznorHVAC.com or call 800-695-1901.

*Note: In keeping with our policy of continuous
product improvement, we reserve the right to alter,
at any time, the design, construction, dimensions,
weights, etc., of equipment information shown here.*

© 2021 Nortek Global HVAC, LLC.
Reznor is a registered trademark of Nortek Global HVAC, LLC. All other trademarks are the property of their respective owners.
All rights Reserved. Printed in U.S.A.

656F-0221

REZNOR®