

UNIT HEATER REPLACEMENT PARTS

MODEL UBX: STANDARD POWER VENT BLOWER TYPE
MODEL UBZ: SEPARATED-COMBUSTION BLOWER TYPE
MODEL UDX: STANDARD POWER VENT FAN TYPE
MODEL UDZ: SEPARATED-COMBUSTION FAN TYPE



TABLE OF CONTENTS

WARRANTY	2
REFERENCES	2
SERIAL NUMBER	2
ELECTRICAL COMPONENTS	3
FAN AND MOTOR COMPONENTS	8
BLOWER COMPONENTS	9
CABINET COMPONENTS	18
VENTER AND FLUE WRAPPER COMPONENTS	21
HEAT EXCHANGER AND BURNER ASSEMBLY COMPONENTS	24
VENTING AND COMBUSTION AIR KIT COMPONENTS (MODELS UDZ AND UBZ)	27
ACCESSORIES/OPTIONS	28

IMPORTANT

1. Always include complete model and serial number so that any specification change can be considered for parts replacement. It can save time and expense.
2. In keeping with our policy of continuous product improvement, we reserve the right to alter any information shown here. Specifications are subject to change without notice.
3. We reserve the right to substitute functional replacements.
4. Order by Part Number (PN) not by option designation.

WARRANTY

- One-year limited warranty on the heater.
- Nine-year extended limited warranty on the heat exchanger, burner, and flue collection box assembly.
- Four-year extended limited warranty on all electrical and mechanical operating components (with the exception of blower belts).
- **Contact your distributor for details.**

REFERENCES

Type	Form	PN*
Installation/operation/maintenance	I-UBX-UBZ-UDX-UDZ	1034344
Gas conversion	CP-UB-UD-GC	1034364
Venting	I-OPT-VC	205892
	CP-UBX-UDX-VENT	1034631
	CP-UBZ-UDZ-VENT	1034632

*Also available at www.reznorhvac.com.

SERIAL NUMBER

NOTE: The serial number is located on the unit's rating plate.

Decode serial numbers as follows:

Serial number sample: **BOG 3062 00000**
Elements key number: **1 | 2 | 3**

Key:

- 1 = Date code (refer to Table 2)**
- 2 = Plant of manufacture (3062 = Monterrey)**
- 3 = Consecutive number**

Year	Month											
	JAN	FEB	MAR	APR	MAY	JUN	JUL	AUG	SEP	OCT	NOV	DEC
2021	BUA	BUB	BUC	BUD	BUE	BUF	BUG	BUH	BUI	BUJ	BUK	BUL
2022	BVA	BVB	BVC	BVD	BVE	BVF	BVG	BVH	BVI	BVJ	BVK	BVL
2023	BWA	BWB	BWC	BWD	BWE	BWF	BWG	BWH	BWI	BWJ	BWK	BWL
2024	BXA	BXB	BXC	BXD	BXE	BXF	BXG	BXH	BXI	BXJ	BXK	BXL
2025	BYA	BYB	BYC	BYD	BYE	BYF	BYG	BYH	BYI	BYJ	BYK	BYL
2026	BZA	BZB	BZC	BZD	BZE	BZF	BZG	BZH	BZI	BZJ	BZK	BZL
2027	CAA	CAB	CAC	CAD	CAE	CAF	CAG	CAH	CAI	CAJ	CAK	CAL
2028	CBA	CBB	CBC	CBD	CBE	CBF	CBG	CBH	CBI	CBJ	CBK	CBL
2029	CCA	CCB	CCC	CCD	CCE	CCF	CCG	CCH	CCI	CCJ	CCK	CCL
2030	CDA	CDB	CDC	CDD	CDE	CDF	CDG	CDH	CDI	CDJ	CDK	CDL
2031	CEA	CEB	CEC	CED	CEE	CEF	CEG	CEH	CEI	CEJ	CEK	CEL
2032	CFA	CFB	CFC	CFD	CFE	CFF	CFG	CFH	CFI	CFJ	CFK	CFL
2033	CGA	CGB	CGC	CGD	CGE	CGF	CGG	CGH	CGI	CGJ	CGK	CGL
2034	CHA	CHB	CHC	CHD	CHE	CHF	CHG	CHH	CHI	CHJ	CHK	CHL
2035	CIA	CIB	CIC	CID	CIE	CIF	CIG	CIH	CII	CIJ	CIK	CIL

ELECTRICAL COMPONENTS

NOTES:

- To connect supply wires and access the disconnect switch (item 20), remove the cover (item 18) from the electrical box.
- The color listed for the flame rollout switch (item 4) is the color of the identifying dot on the label.
- The control module fuses (item 7A) may be replaced with field-supplied type ATC or ATO 3-amp fuse (color code: violet).

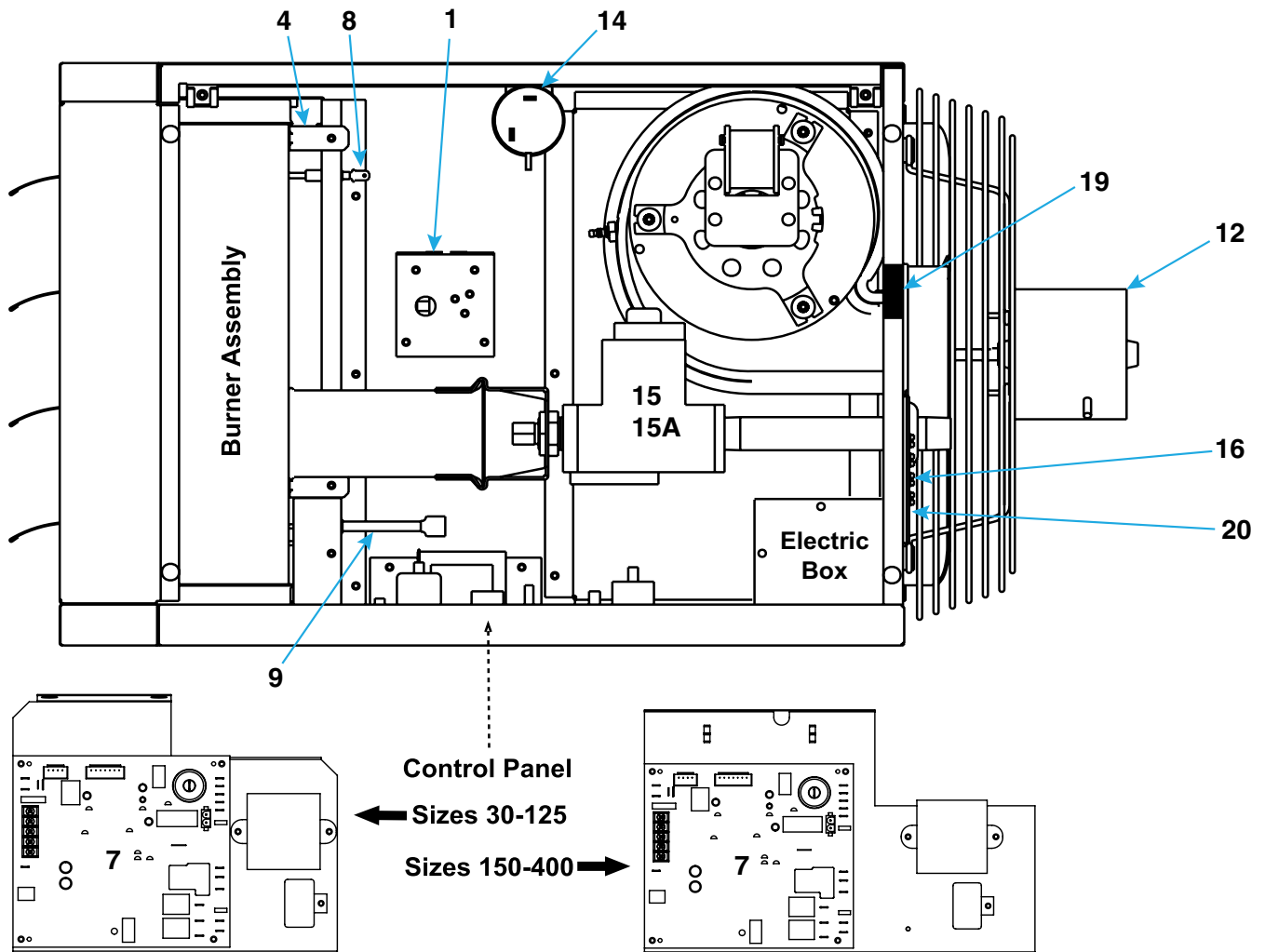


Figure 1. Typical Control Compartment (Refer to [Table 3](#) and [Table 4](#))

ELECTRICAL COMPONENTS—CONTINUED

Table 3. Electrical Components (Unit Sizes 030–125)									
Item No.	Component	Description	Model	Unit Size					
				030	045	060	075	100	125
				PN					
1	Limit control	High temperature, auto reset*	UBX, UBZ	96512	201961	82091	85449	96512	201961
			UDX, UDZ	96512	085449	45602		45602	085449
2	Plate	Limit control	All	170025		170025		170025	
3	Bracket	Limit control	UBX, UBZ	201771		201771		201771	
			UDX, UDZ	170026		170026		170026	
4	Flame rollout switch, manual reset*	210°F/–31°F, violet	UDX, UDZ	197033	—	—		—	
		225°F/–31°F, red		—	196949	196949		—	
		250°F/–31°F, yellow		—		—		196950	
5	Bracket	Control mounting	All	195551		195551		195551	
6	Gasket	Control mounting bracket		195664		195664		195664	
7	Circuit board	DSI control module	All	1033741		1033741		1033741	
7A	Fuse**	Circuit board	All	201685		201685		201685	
8	Sensor	Flame		195292		195292		195292	
9	Ignitor	Electrode assembly		1024503		1024503		175272	
10	Transformer	25VA, 115V	UDX, UDZ	175265		175265		175265	
		40 VA, 115V (option CL31)		194808		194808		194808	
		40 VA, 208–230V/1PH (option CL31)		194536		194536		194536	
11	Stepdown transformer		Refer to Table 5						
12	Fan motor*	115V, open	UDX, UDZ	196240	196241	196241	196242	196243	196244
		115V, TEFC (option AL14)		203310		203310		203724	
13	Capacitor, fan motor		Refer to Table 7						
14	Pressure switch	0–6000 feet**	UBX	1034349	1034477	196388	197030	197030	
			UBZ	1034349	197031	197029	196388	197030	197032
			UDX	1034349	197030	197031	197032	196388	1034237
			UDZ	197028		197031	197032	—	197078
15	Gas valve, single-stage, 1/2 x 1/2	Natural gas, MH #VR8215T1239	All	260603		260603		260603	
		Propane, MH #VR8215T5214		263999		263999		263999	
15A	Gas valve, two-stage, 1/2 x 1/2	Natural gas, MH #VR8205N2921	All	—		197066		197066	
		Propane, MH #VR8205N2913		—		197064		197064	
16	Terminal board	24V, 5-pole	All	196813		196813		196813	
17	Gasket	Terminal board	UDZ, UBZ	196327		196327		196327	
18	Cover	Electrical box		201945		201945		201945	
19	Switch	Door, interlock, Carling #TA22B-TLB-B		217262		217262		217262	
20		Disconnect		101902		101902		101902	
21	Harness	Wiring, 9-pin	All	1033745		1033746		1033747	

*For spacing, refer to [Table 6](#).

**For installations at an elevation >6,000 feet, contact Nortek service.

Table 4. Electrical Components (Unit Sizes 150–400)

Item No.	Component	Description	Model	Unit Size							
				150	175	200	225	250	300	350	400
				PN							
1	Limit control	High temperature, auto reset*	UBX	82091	202048	210961	82091	82091	201962	202048	85449
			UBZ			202048					
			UDX	45602	82091	45602		45602	100799	100799	082091
			UDZ					082091			
2	Plate	Limit control	All	170025		170025		170025		170025	
3	Bracket	Limit control	UBX, UBZ	170026	201771	201771	170026	170026	202701	202701	
			UDX, UDZ	170026		170026		170026		170026	
4	Flame rollout switch		Refer to Table 3								
5	Bracket	Control mounting	UDX, UDZ	195294		195294		195294		195294	
			UBX	202736		202736		202736		202736	
			UBZ	195294		195294		195294		195294	
6	Gasket	Control mounting bracket	All	195669		195669		195669		195669	
7	Circuit board	DSI control module	All	1033741		1033741		1033741		1033741	
7A	Fuse	Circuit board	All	201685		201685		201685		201685	
8	Sensor	Flame		195292		195292		195292		195292	
9	Ignitor	Electrode assembly		175272		175272		175272		175272	
10	Transformer	25VA, 115V	UDX, UDZ	175265		175265		175265		175265	
		40VA, 115V (option CL31)		194808		194808		194808		194808	
		40VA, 208–230V/1PH	All	194536		194536		194536		194536	
		40VA, 208–230V/3PH	UBX, UBZ	194536		194536		194536		194536	
11	Stepdown transformer	Located on outside of heater cabinet	UBX, UBZ	11100		11100		11100		11100	
		350VA, 208–230V		202056		202056		202056		202056	
				257302		257302		257302		257302	
12	Fan motor*	115V, open	UDX, UDZ	196245		271461		271461	196247	196247	
		115V, TEFC (option AL14)		196824		196824		196824	196825	196825	
13	Capacitor, fan motor	115V, 7.5µF (option AL14)	All	195643		195643		195643	—	—	
		115V, 10µF		207448		207448		207448	—	—	
		115V, 15µF (option AL14)		—		—		—	217031	217031	
14	Pressure switch	0–6000 feet**	UBX	197031	197030	201158		201158		201158	273553
			UBZ	197030		201158		201158		201158	201161
			UDX	197031	197030	201158		201158		201158	
			UDZ	197031	197030	201158		201158	201161	273360	201161
15	Gas valve, single-stage, 1/2 x 1/2	Natural gas, MH #VR8215T1239	All	260603		260603	—	—	—		
		Propane, MH #VR8215T5214		263999		263999	—	—	—		
	Gas valve, single-stage, 3/4 x 3/4	Natural gas, MH #VR8305K4241		—		—	196981	196981		196981	
		Propane, MH #VR8305K4258		—		—	196983	196983		196983	
15A	Gas valve, two-stage, 1/2 x 1/2	Natural gas, MH #VR8205N2921	All	197066		197066	—	—	—		
		Propane, MH #VR8205N2913		197064		197064	—	—	—		
	Gas valve, two-stage, 3/4 x 3/4	Natural gas, MH #VR8305N4297		—		—	197067	197067		197067	
		Propane, MH #VR8305N4289		—		—	197065	197065		197065	
16	Terminal board	24V, 5-pole	UBZ, UDZ	196813		196813		196813		196813	
17	Gasket	Terminal board		196327		196327		196327		196327	
18	Cover	Electrical box		201945		201945		201945		201945	
19	Switch	Door, interlock, Carling #TA22B-TLB-B		217262		217262		217262		217262	
20		Disconnect	101902		101902		101902		101902		
21	Harness	Wiring, 9-pin	All	1033748		1033748	1033749	1033749	1033750	1033750	

*For spacing, refer to [Table 6](#).

**For installations at an elevation >6,000 feet, contact Nortek service.

ELECTRICAL COMPONENTS—CONTINUED









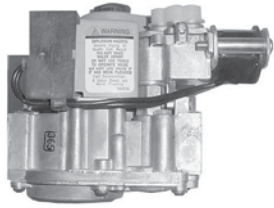






<p>Item 1: High Temperature Limit Control, Auto Reset</p> <p>Item 2: Bracket</p> <p>Item 3: Plate</p>		<p>Item 4: Flame Rollout Switch, Manual Reset</p>	
<p>Item 7: Circuit Board</p>	<p>Item 8: Flame Sensor</p>	<p>Item 10: Transformer</p>	
	<p>Item 9: Ignitor</p>	<p>Item 11: Stepdown Transformer</p>	  <p>350VA</p>
<p>Item 12: Fan Motor</p>		<p>Item 13: Fan Motor Capacitor</p>	
<p>Item 14: Pressure Switch</p>	<p>Item 15: Gas Valve</p>		
	  <p>Single-Stage</p>	<p>Two-Stage</p>	
<p>Item 16: Terminal Board</p>	<p>Item 19: Interlock Door Switch</p>	<p>Item 20: Disconnect Switch</p>	
			

Figure 2. Individual Electrical Components (See Locations in [Figure 1](#))

Table 5. Stepdown Transformer Kit (Option CG1, CG2, or CG4) Components										
Component	Model	Option*	Unit Size							
			030	045	060, 075	100	125	150, 175, 200	225, 250	300, 350, 400
			PN							
Stepdown transformer kit package	UBX, UBZ	CG1	260924		260925		260926		—	
		CG2, CG4	202976		202977		202978		—	
	UDX, UDZ	CG1	260919		260920		260921		260922	260923
		CG2, CG4	197150		197151		197152		197153	197154
Transformer, 0.25kVA	UDX, UDZ	CG1	260927				—			
		CG2, CG4	11279							
Transformer, 0.5kVA	UBX, UBZ	CG1	260928				—			
		CG2, CG4	11100							
	UDX, UDZ	CG1	—		260928				—	
		CG2, CG4	—		11100					
Transformer, 0.75kVA	UDX, UDZ	CG1			—		260929		—	
		CG2, CG4					11217			
Transformer, 1kVA	UBX, UBZ	CG1			223462			—		
		CG2, CG4			16065					
	UDX, UDZ	CG1							223462	—
		CG2, CG4							16065	
Transformer, 1.5kVA	UDX, UDZ	CG1					—			260930
		CG2, CG4								197085
Transformer, 2kVA	UBX, UBZ	CG1					260931		—	
		CG2, CG4					202979			
Common Parts										
Bracket, transformer	UBX, UBZ	All	197079				—			
			197079				197080			
Gasket, transformer bracket	UBX, UBZ	All	236155				—			
			236155							
Capscrew, hex head, 3/8 x 1 long	UDX, UDZ	All	32253							
Lockwasher, 3/8			5197							
Flat washer, 3/8			6593							
BX cable, 3/8	UBX, UBZ	All	45097	174394	63292	—				
			45097	174394	63292	10460	201465			
Black wire, 14-gauge, 105°C	UBX, UBZ	All	32520	7208	123150	—				
			32520	7208	123150	48862	201466			
White wire, 14-gauge, 105°C	UBX, UBZ	All	201243	201242	123152	—				
			201243	201242	123152	48861	201467			
Green wire, 14-gauge, 105°C	UBX, UBZ	All	201241	201240	201468	—				
			201241	201240	201468	201462	201469			
Bushing, anti-short (quantity = 2)	UBX, UBZ	All	16358				—			
			16358							
Connector, straight (T&B #302)	UBX, UBZ	All	16202				—			
Connector, straight	UDX, UDZ		16199							
Connector, 90-degree (T&B #XC-290)	UBX, UBZ	All	1417				—			
			1417							

*Option CG1 is for 208V supply 120V, option CG2 is for 230V supply 120V, and option CG4 is for 460V supply 120V.

ELECTRICAL COMPONENTS—CONTINUED

Table 5. Stepdown Transformer Kit (Option CG1, CG2, or CG4) Components—Continued										
Component	Model	Option*	Unit Size							
			030	045	060, 075	100	125	150, 175, 200	225, 250	300, 350, 400
			PN							
Common Parts—Continued										
Cable clamp, 1/2 (Heyco #3328)	UBX, UBZ	All	16227				—			
	UDX, UDZ		16227							
Screw, sheet metal, #10 x 1/2 (quantity = 3)	UBX, UBZ		11813				—			
	UDX, UDZ		11813							
Wire connector, 73B (Ideal #3-0253, quantity = 10)	UBX, UBZ		16354				—			
	UDX, UDZ		16354							

*Option CG1 is for 208V supply 120V, option CG2 is for 230V supply 120V, and option CG4 is for 460V supply 120V.

FAN AND MOTOR COMPONENTS

Table 6. Fan Blade/Motor Spacing and Fan Guard Type			
Unit Size	Wire Fan Guard Type		Setscrew Torque (inch-pounds ±10)
	Standard Guard (0.5-Inch (13-mm) Spacing)	Option AZ8 Guard (0.334-Inch (8.5-mm) Spacing)	
	Dimension A (Inches (mm))*		
030	1 (25)		80
045	9/16 (14)	1-1/16 (27)	
060	1-1/2 (38)	1-3/4 (44)	
075	2-1/8 (54)	1-1/2 (38)	
100	2-3/8 (60)		120
125	2-5/16 (59)	2-1/8 (54)	
150	2-3/8 (60)	—	130
175	2-1/8 (54)		
200	1-5/8 (41)		
225, 250, 300	2 (51)		
350	1-7/8 (48)		
400	1-3/8 (35)		

*See Figure 3.

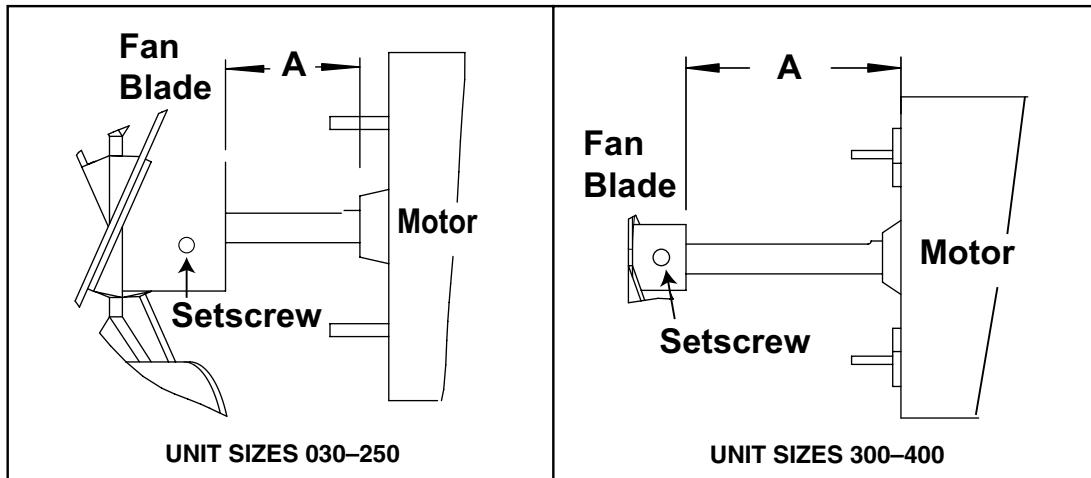


Figure 3. Fan Spacing

BLOWER COMPONENTS

NOTE: Motors that don't list a contactor in Table 9 or Table 10 require a starter. If a contactor is listed, the starter is optional.

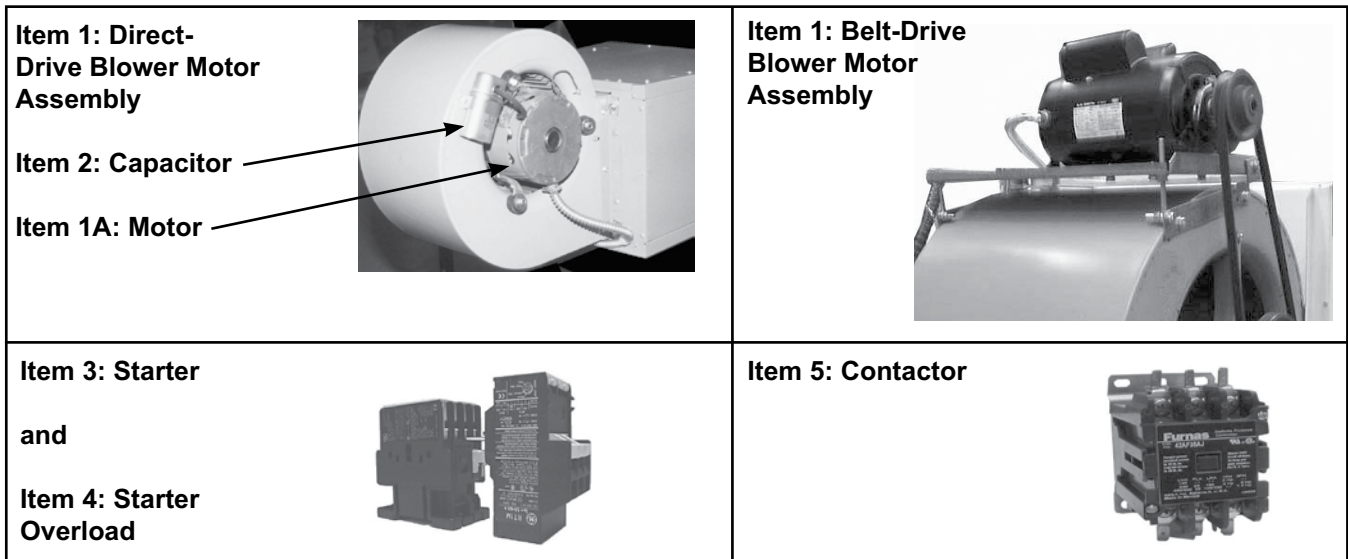


Figure 4. Individual Blower Components (Refer to Table 7, Table 8, Table 9, and Table 10)

Table 7. Direct-Drive Blower Motor Assembly Components (Unit Sizes 030–125)								
Item No.	Component	Description	Unit Size					
			030	045	060	075	100	125
			PN					
1	Motor assembly	Direct-drive	202731	202732		202733		
1A	Motor	1/6-HP	201760		—			
		1/3-HP	—		201761		—	
		3/4-HP	—		—		201762	
1B	Motor band	51221						
1C	Support arm	51223 (quantity = 3)			220629 (quantity = 3)			
1D	Capscrew, hex head	1/4-20 × 1-1/2 long	51231					
1E	Nut, keps	1/4-20	7328					
1F	BX cable	3/8 × 30 long	2889		—			
		3/8 × 43 long	—		174387			
1G	Bushing	Anti-short	(2) 16358					
2	Capacitor	370V, 5µF	101917		—			
		370V, 7.5µF	—		101918		15MFD	
		370V, 15µF	—		201763			
2A	End cap	Capacitor	82113					
2B	Bracket	Capacitor strap	82114					

BLOWER COMPONENTS—CONTINUED

Table 8. Open-Type Belt-Drive Blower Motor Assembly (Unit Sizes 150-400)																		
Item 1A: Motor				Item 3: Starter				Item 4: Starter Overload				Item 5: Contactor						
HP	Full Load Amps (FLA)	Manufacturer's Model	Frame Size	Shaft Size (Inches)	Service Factor	Power Factor	Efficiency	Voltage/Phase	PN	GE Model	PN	Min Amps	Max Amps	GE Model	PN	GE Model	PN	
1/4	4.6	BF2024	48/56	1/2	1.35	63	—	120/1	210611	CL00A310T-J	151146	4.00	6.30	RTA1-L	151191	42AF35AF	119626	
	2.3				59.0%		208/1	CL00A310T-L		151150	1.80	2.70	RTA1-J	151189	42AF35AG	119627		
	1.1	M3003	K48		1.35	72	74.0%	208/3	115864	CL00A310T-L	151150	1.00	1.50	RTA1-G	151187	—	—	—
	1.4				81.0%	240/3	115864	CL00A310T-S	151147	0.65	1.10	RTA1-F	151186					
	0.75				120/1	CL00A310T-J	151146	0.65	1.10	RTA1-F	151186							
1/3	6.0	BF2034	48/56	1.15	—	—	208/1	202091	CL00A310T-L	151150	4.00	6.30	RTA1-L	151191	42AF35AF	119626		
	3.0			240/1			CL00A310T-S	151147	2.50	4.10	RTA1-K	151190	42AF35AG	119627				
	1.4	M3007	K48	1.25	—	—	208/3	115863	CL00A310T-L	151150	1.80	2.70	RTA1-J	151189	—	—	—	
	1.6			240/3			CL00A310T-S	151147	1.30	1.90	RTA1-H	151188						
	0.8			480/3			CL00A310T-J	151146	0.65	1.10	RTA1-F	151186						
1/2	8.8	BF2054	56Z	1.15	—	—	120/1	102627	CL00A310T-J	151146	8.00	12.00	RTA1-N	151193	42AF35AF	119626		
	5.1			208/1			CL00A310T-L	151150	4.00	6.30	RTA1-L	151191	42AF35AG	119627				
	4.4	H880	LA56	1.25	—	—	240/1	159183	CL00A310T-S	151147	1.80	2.70	RTA1-J	151189	—	—	—	
	2.5			208/3			CL00A310T-L	151150	2.50	4.10	RTA1-K	151190						
	3.0			240/3			CL00A310T-S	151147	1.30	1.90	RTA1-H	151188						
3/4	1.5	H991	H56	1.25	—	—	480/3	202089	CL00A310T-J	151146	0.65	1.10	RTA1-F	151186	42AF35AF	119626		
	0.9			575/3			202089	CL00A310T-L	151147	10.00	16.00	RTA1-P	151194	42AF35AF	119626			
	11.0	AOS-C426V1	B56	1.25	—	—	120/1	93548	CL01A310T-J	151151	4.00	6.30	RTA1-L	151191	42AF35AG	119627		
	5.5			208/1			CL00A310T-L	151150	2.50	4.10	RTA1-K	151190	42AF35AG	119627				
	5.4			240/1			CL00A310T-S	151147	1.00	1.50	RTA1-G	151187	42AF35AF	119626				
1	2.9	312P696	D56	1.25	—	—	208/3	36951	CL00A310T-L	151150	2.50	4.10	RTA1-K	151190	42AF35AG	119627		
	2.6			240/3			CL00A310T-S	151147	1.00	1.50	RTA1-G	151187	42AF35AF	119626				
	1.3	H992	H56	1.25	—	—	480/3	202090	CL00A310T-J	151146	0.65	1.10	RTA1-F	151186	—	—	—	
	1.0			575/3			202090	CL01A310T-L	151151	10.00	16.00	RTA1-P	151194	42AF35AF	119626			
	13.0			120/1			CL00A310T-L	151150	5.50	8.50	RTA1-M	151192	42AF35AG	119627				
1	7.5	C523	H56	1.15	—	—	208/1	13685	CL00A310T-L	151150	2.50	4.10	RTA1-K	151190	42AF35AG	119627		
	6.5			240/1			CL00A310T-S	151147	1.80	2.70	RTA1-J	151189	42AF35AF	119626				
	3.4	AOS-H882L	56H	1.15	—	—	208/3	36580	CL00A310T-L	151150	2.50	4.10	RTA1-K	151190	42AF35AG	119627		
	3.7			240/3			CL00A310T-S	151147	1.80	2.70	RTA1-J	151189	42AF35AF	119626				
2.0	AOS-H959	JA56	1.15	—	—	480/3	158175	CL00A310T-J	151146	1.00	1.50	RTA1-G	151187	—	—			
1.4			575/3			158175	CL00A310T-L	151146	1.00	1.50	RTA1-G	151187	—	—				

Table 8. Open-Type Belt-Drive Blower Motor Assembly (Unit Sizes 150-400)—Continued																			
Item 1A: Motor																			
HP	Full Load Amps (FLA)	Manufacturer's Model	Frame Size	Shaft Size (Inches)	Service Factor	Power Factor	Efficiency	Voltage/Phase	PN	Item 3: Starter			Item 4: Starter Overload			Item 5: Contactor			
										GE Model	PN	Min Amps	Max Amps	GE Model	PN	GE Model	PN		
1.5	15.0	C621	56	5/8	1.2	86.4	77.2%	120/1	194202	CL02A310T-J	151156	10.00	16.00	RTA1-P	151194	42AF35AF	119626		
	7.8							208/1		CL00A310T-L	151150	5.50	8.50	RTA1-M	151192	42AF35AG	119627		
	7.5							240/1		CL00A310T-S	151147	4.00	6.30	RTA1-L	151191				
	5.6	AOS-H884L	UA56	208/3	CL00A310T-L	151150	4.10	RTA1-K	151190	42AF35AF	119626								
	5.0			240/3	CL00A310T-S	151147	1.80	2.70	RTA1-J					151189					
	2.8			480/3	CL00A310T-J	151146	21.00	26.00	RTA1-U	151197	42AF35AF	119626							
2	2.0	AOS-H960	LA56H	7/8	1	85.3	84.0%	575/3	158162	CL04A310M-J	151165	10.00	16.00	RTA1-P	151194	42AF35AG	119627		
	24.6	AOS-RB1204AV1	56H	5/8				120/1		CL01A310T-L	151155	202581	CL01A310T-L	151155	10.00			16.00	RTA1-P
	12.3							208/1		CL01A310T-S	151152	5.50	8.50	RTA1-M	151192				
	7.0				AOS-H886	56HZ	7/8	1.15	67	79.0%	208/3	159327	CL00A310T-L	151150	2.50	4.10	RTA1-K	151190	42AF35AF
	6.6	240/3	CL00A310T-S	151147							1.80		2.70	RTA1-J	151189				
	3.5	480/3	CL00A310T-J	151146							86		84.0%	575/3	158176	CL00A310T-J	151146	10.00	16.00
3	2.6	AOS-H965V1	L56	5/8	1.15	86	84.0%	575/3	111560	CL02A310T-L	151159	8.00	12.00	RTA1-N	151193	42AF35AG	119627		
	13.7	AOS-B735	L56					208/1		CL01A310T-S	151152	4.00	6.30	RTA1-L	151191			42AF35AF	119626
	12.4							240/1		CL00A310T-S	151147	2.50	4.10	RTA1-K	151190				
	9.0			AOS-H845	P56Z	7/8	1.15	80.3	80.3%	208/3	159185	CL00A310T-L	151150	8.00	12.00	RTA1-N	151193	42AF35AG	119627
	8.6	240/3	CL00A310T-S							151147		4.00	6.30	RTA1-L	151191	42AF35AF	119626		
	4.3	480/3	CL00A310T-J							151146		80.3	83.8%	575/3	120019	CL00A310T-J	151146	2.50	4.10
5	3.6	AOS-H954	N56Z	7/8	1.15	87.2	85.0%	208/3	113371	CL01A310T-L	151155	10.00	16.00	RTA1-P	151194	—	—		
	13.4	AOS-196035J	Y56HZ					7/8		85.9	85.3%	575/3	120020	CL01A310T-S	151152			5.50	8.50
	13.2											480/3		CL00A310T-J	151146	4.00	6.30	RTA1-L	151191
	6.6			AOS-H956	—	—	—		—			—		—	—	—	—	—	—
	5.4	575/3	CL00A310T-J					151146		4.00	6.30		RTA1-L						

BLOWER COMPONENTS—CONTINUED

Table 9. TEFC-Type Belt-Drive Blower Motor Assembly Components (Unit Sizes 150–400)																			
Item 1A: Motor				Item 3: Starter				Item 4: Starter Overload				Item 5: Contactor							
HP	Full Load Amps (FLA)	Manufacturer's Model	Frame Size	Shaft Size (Inches)	Service Factor	Power Factor	Efficiency	Voltage/Phase	PN	GE Model	PN	Min Amps	Max Amps	GE Model	PN	GE Model	PN		
1/4	3.8	Regal Beloit C664	H56	5/8	1	—	—	120/1	151146	CL00A310T-J	151146	2.50	2.50	RTA1-K	151190	42AF35AF	119626		
	2.0							208/1		CL00A310T-L		151150	1.90	2.70		RTA1-J		151189	
	1.9							240/1		CL00A310T-S		151147	1.00	1.50		RTA1-G		151187	
	1.1	USMTR T14S2A	56		208/3	1	61.9	72.1%	240/3	271443*	CL00A310T-L	151147	0.40	0.65	RTA1-D	151184	42AF35AF	119626	
	0.5				480/3				CL00A310T-S		151147		4.00	6.30	RTA1-L				151191
	4.6				120/1				CL00A310T-J		151146		1.80	2.70	RTA1-J				151189
1/3	2.3	AOS-C151	N48	1/2	1	67.2	69.5%	208/1	159501	CL00A310T-L	151150	1.00	1.50	RTA1-G	151187	—	—		
	2.4							240/1		CL00A310T-S		151147	0.40	0.65				RTA1-D	151184
	1.2							240/3		CL00A310T-S		105567	5.50	8.50				RTA1-M	151192
	0.6	AOS-H261	L48		480/3	1.15	—	79.5%	120/1	151146	CL00A310T-J	151146	2.50	4.10	RTA1-K	151190	42AF35AG	119627	
	7.2				208/1				CL00A310T-L		151150		1.80	2.70	RTA1-F				151186
	3.5				240/1				CL00A310T-S		151147		0.65	1.10	RTA1-F				151186
1/2	3.6	AOS-C613	J56	5/8	1.15	—	—	120/1	159184	CL00A310T-J	151146	10.00	16.00	RTA1-P	151194	42AF35AF	119626		
	0.7							208/1		CL00A310T-L		151150	2.50	4.10				RTA1-K	151190
	11.0							240/1		CL00A310T-S		151147	1.80	2.70				RTA1-J	151189
	5.4	AOS-H274	H56		208/3	1	59.5	74.8%	240/3	16077	CL00A310T-L	151150	0.65	1.10	RTA1-F	151186	42AF35AF	119626	
	5.5				480/3				CL00A310T-S		151147		16.00	16.00	RTA1-P				151194
	2.0				575/3				CL00A310T-S		105568		4.00	6.30	RTA1-L				151191
3/4	2.0	AOS-H276	J56	5/8	1	76.4	77.0%	120/1	20371	CL00A310T-J	151146	1.80	2.70	RTA1-J	151189	42AF35AG	119627		
	2.2							208/1		CL00A310T-L		151150	1.00	1.50				RTA1-G	151187
	1.1							240/1		CL00A310T-S		151147	0.65	1.10				RTA1-F	151186
	0.8	AOS-H580	KA56		208/3	1.15	78.3	82.0%	240/3	105569	CL00A310T-L	151146	10.00	16.00	RTA1-P	151194	42AF35AF	119626	
	12.0				480/3				CL00A310T-S		151147		4.00	6.30	RTA1-L				151191
	6.2				575/3				CL00A310T-S		105569		1.80	2.70	RTA1-J				151189
1	6.0	AOS-H461	L56	5/8	1.15	74.3	70.6%	120/1	174993	CL00A310T-J	151151	5.50	8.50	RTA1-M	151192	42AF35AG	119627		
	6.2							208/1		CL00A310T-L		151150	2.50	4.10				RTA1-K	151190
	6.0							240/1		CL00A310T-S		151147	1.30	1.90				RTA1-H	151188
	3.3	WEG-00118E	D56		208/3	1	74.4	80.2%	240/3	271444*	CL00A310T-L	151150	1.00	1.50	RTA1-G	151187	42AF35AF	119626	
	3.1				480/3				CL00A310T-S		151147		1.00	1.50	RTA1-G				151187
	1.6				575/3				CL00A310T-S		105570		1.00	1.50	RTA1-G				151187
1.4	AOS-H525	56	575/3	105570	1.15	71.6	80.4%	151146	CL00A310T-J	151146	1.00	1.50	RTA1-G	151187	—	—			

*Requires a starter. Consult the factory for a wiring diagram or serial number to determine the appropriate starter and overload.

Table 9. TEFC-Type Belt-Drive Blower Motor Assembly Components (Unit Sizes 150-400) — Continued																	
Item 1A: Motor			Item 3: Starter				Item 4: Starter Overload				Item 5: Contactor						
HP	Full Load Amps (FLA)	Manufacturer's Model	Frame Size	Shaft Size (Inches)	Service Factor	Power Factor	Efficiency	Voltage/Phase	PN	GE Model	PN	Min Amps	Max Amps	GE Model	PN	GE Model	PN
1.5	16.4	AOS-C686	TK56H	5/8	1	—	82.4%	120/1	151156	CL02A310T-J	151156	14.50	18.00	RTA1-S	151196	42AF35AF	119626
	9.5							208/1	151150	CL00A310T-L	151150	8.00	12.00	RTA1-N	151193		
	8.2							240/1	151147	CL00A310T-S	151147						
	4.3	WEG-00158E	D56	7/8	1.15	80.9	82.4%	208/3	151150	CL00A310T-L	151150	4.00	6.30	RTA1-L	151191	42AF35AG	119627
	4.4							240/3	151147	CL00A310T-S	151147	1.80	2.70	RTA1-J	151189	42AF35AF	119626
	2.2							480/3	151146	CL00A310T-J	151146	1.30	1.90	RTA1-H	151188	—	—
2	1.7	AOS-T59027	145T	7/8	1.15	85.7	84.0%	575/3	105665	CL00A310T-J	151146	5.50	8.50	RTA1-M	151192		
	8.3	L3516M	56HZ	7/8	99	78.0%	84.0%	240/1	205881	CL00A310T-I	151147	5.50	8.50	RTA1-M	151192		
	7.6							208/3		CL00A310T-L	151150	4.00	6.30	RTA1-L	151191		
	5.6	WEST-NP0024	145T	7/8	1.15	77.5	84.0%	240/3	158165	CL00A310T-S	151147	2.50	4.10	RTA1-K	151190		
	2.8							480/3		CL00A310T-J	151146	1.80	2.70	RTA1-J	151189		
	2.2	AOS-T59028							575/3	158166							
3	7.7	M3559T	145T	7/8	85.5	85.5%	85.5%	208/3	151150	CL00A310T-L	151150	5.50	8.50	RTA1-M	151192		
	7.0							240/3	151147	CL00A310T-S	151147	2.50	4.10	RTA1-K	151190		
	3.5							480/3				1.80	2.70	RTA1-J	151189		
	2.8							575/3	111571	CL00A310T-J	151146	2.50	4.10	RTA1-K	151190		

*Requires a starter. Consult the factory for a wiring diagram or serial number to determine the appropriate starter and overload.

BLOWER COMPONENTS—CONTINUED

Table 10. Drives, Pulleys, and Belts for Open-Type Motors											
HP	Motor Option	Voltage Option	Drive (AM/EM) Option	Motor Pulley			Blower Pulley*		Belt**		
				PN	Model	Bore Size (Inches)	PN	Model	PN (Length (Feet))		
1/4, 1/3	AL2, AL3	AK1, AK2, AK3, AK5, AK6, AK7	1, 2	4074	1VL34	1/2	111609	AK 99	201809 (3.8)		
			3, 4	13491	1VL40						
			5, 6, 7								
			8, 9, 10, 11, 12								
			13, 14, 15, 16, 17								
1/2, 3/4, 1, 1-1/2	AL4, AL5, AL6, AL7	AK1, AK2, AK3, AK5, AK6, AK7, AK8	1, 2	13580	1VL34	5/8	111609	AK 99			
			3, 4	7962	1VL40						
			5, 6, 7								
			8, 9, 10, 11, 12								
			13, 14, 15, 16, 17								
			18, 19, 20, 21, 22, 23,24, 25	105476	1VL44						
26, 27, 28, 29											
2	AL8	AK1, AK2, AK3, AK8	1, 2	13580	1VL34	5/8	111609	AK 99			
			3, 4	7962	1VL40						
			5, 6, 7								
			8, 9, 10, 11, 12								
			13, 14, 15, 16, 17								
			18, 19, 20, 21, 22, 23,24, 25	105476	1VL44						
26, 27, 28, 29, 30											
3	AL9	AK2, AK3	9, 10, 11, 12	7962	1VL40	7/8	111609	AK 99			
			13, 14, 15, 16, 17, 18, 19								
			20, 21, 22, 23, 24, 25, 26								
2	AL8	AK5, AK6, AK7	1, 2	110125	1VP34				7/8	111609	AK 99
			3, 4	106748	1VL40						
			5, 6, 7								
			8, 9, 10, 11, 12								
			13, 14, 15, 16, 17								
			18, 19, 20, 21, 22, 23,24, 25	106758	1VL44						
26, 27, 28, 29, 30											
3, 5	AL9, AL10	AK5, AK6, AK7, AK8	9, 10, 11, 12	106748	1VL40	7/8	101414	BK130			
			13, 14, 15, 16, 17								
			18, 19, 20, 21, 22	37451	1VM50						
			23, 24, 25, 26, 27, 28, 29								
30, 31, 32, 33, 34, 35, 36											
5	AL10	AK2, AK3	9, 10, 11, 12	7963	2VP42	1-1/8	30621	2AK124			
			13, 14, 15, 16, 17	111681	1VP50						
			18, 19, 20, 21, 22	161444	1VP56						
			23, 24, 25, 26, 27, 28, 29	111681	1VP50						
			30, 31, 32, 33, 34, 35, 36								

*Bore size = 1 inch.

**Assume 17 belt links per foot. Belt PN 201809 is Fenner #0408030. Belt PN 202655 is Fenner #0408050.

Table 11. Drives, Pulleys, and Belts for TEFC-Type Motors

HP	Motor Option	Voltage Option	Drive (AM) Option	Motor Pulley			Blower Pulley*		Belt**			
				PN	Model	Bore Size (Inches)	PN	Model	PN (Length (Feet))			
1/3	AL20	AK1, AK2, AK3, AK5, AK6, AK7	1, 2	4074	1VL34	1/2	111609	AK 99	201809 (3.8)			
			3, 4	13491	1VL40		19111	AK 84				
			5, 6, 7				18797	AK 64				
			8, 9, 10, 11, 12				135200	AK 51				
			13, 14, 15, 16, 17									
1/4	AL19		1, 2	13580	1VL34	5/8	111609	AK 99				
			3, 4	7962	1VL40		19111	AK 84				
			5, 6, 7				18797	AK 64				
			8, 9, 10, 11, 12				135200	AK 51				
			13, 14, 15, 16, 17				206125	AK44				
18, 19, 20, 21, 22, 23, 24, 25	105476		1VL44	135201	AK39							
1/2, 3/4, 1	AL21, AL22, AL23		1, 2	13580	1VL34		7/8	111609		AK 99		
			3, 4	7962	1VL40			19111		AK 84		
			5, 6, 7					18797		AK 64		
			8, 9, 10, 11, 12					135200		AK 51		
		13, 14, 15, 16, 17										
1-1/2	AL24	AK1, AK2, AK3, AK5, AK6, AK7	1, 2	13580	1VL34			7/8		111609	AK 99	
			3, 4	7962	1VL40					19111	AK 84	
			5, 6, 7							18797	AK 64	
			8, 9, 10, 11, 12							135200	AK 51	
			13, 14, 15, 16, 17			206125			AK44			
		18, 19, 20, 21, 22, 23, 24, 25	105476	1VL44	135201	AK39						
		AK8	1, 2	110125	1VP34	7/8			111609	AK 99		
			3, 4	106748	1VL40				19111	AK 84		
			5, 6, 7						18797	AK 64		
			8, 9, 10, 11, 12						135200	AK 51		
13, 14, 15, 16, 17	206125		AK44									
18, 19, 20, 21, 22, 23, 24, 25	106758	1VL44	135201	AK39								
2	AL25	AK5, AK6, AK7, AK8	1, 2	110125	1VP34		7/8		111609	AK 99		
			3, 4	106748	1VL40				19111	AK 84		
			5, 6, 7						18797	AK 64		
			8, 9, 10, 11, 12					135200	AK 51			
			13, 14, 15, 16, 17					206125	AK44			
18, 19, 20, 21, 22, 23, 24, 25	106758		1VL44	135201	AK39							
3	AL26		AK5, AK6, AK7, AK8	9, 10, 11, 12	106748			1VL40	7/8	101414	BK130	202655 (3.8)
				13, 14, 15, 16, 17	37451			1VM50		202654	BK105	201809 (3.8)
				18, 19, 20, 21, 22						16153	AK104	
				23, 24, 25, 26, 27, 28, 29		19111				AK84		
		30, 31, 32, 33, 34, 35, 36		105483		AK69						
3	AL26	AK1, AK2	9, 10, 11, 12	7963	2VP42	1-1/8		30621	2AK124	201809 (7.6)		
			13, 14, 15, 16, 17	111681	1VP50			202652	AK124	201809 (3.8)		
			18, 19, 20, 21, 22	161444	1VP56							
			23, 24, 25, 26, 27, 28, 29	111681	1VP50							
			30, 31, 32, 33, 34, 35, 36									
5	AL27	AK3, AK5, AK6, AK7, AK8	9, 10, 11, 12	7963	2VP42		1-1/8				30621	2AK124
			13, 14, 15, 16, 17	111681	1VP50			202652	AK124	201809 (3.8)		
			18, 19, 20, 21, 22	161444	1VP56							
			23, 24, 25, 26, 27, 28, 29	111681	1VP50							
			30, 31, 32, 33, 34, 35, 36									
30, 31, 32, 33, 34, 35, 36	111681	1VP50	105483	AK69								

*Bore size = 1 inch.

**Assume 17 belt links per foot. Belt PN 201809 is Fenner #0408030. Belt PN 202655 is Fenner #0408050.

BLOWER COMPONENTS—CONTINUED

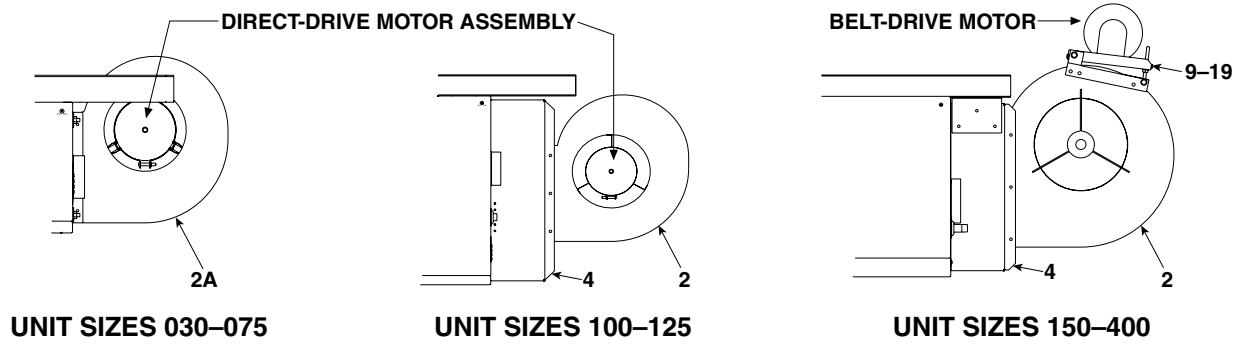


Figure 5. Blower Backs and Blowers (Refer to [Table 12](#) and [Table 13](#))

Table 12. Blower Backs and Blowers (Unit Sizes 030–125)

HP	Item No.	Component	Description	Unit Size			
				030	045–075	100	125
				PN (Quantity)*			
All	1	Restrictor assembly		201408	—		
	1A	Restrictor		194512			
	1B	Angle	Restrictor	100892 (3)			
	1C	Screw	Sheet metal	195638 (3)			
	2	Blower assembly		201401	—		
	2A	Blower	9 × 6	82111			
	2B		10 × 10	—	201770		
	2C	Mounting angle	Blower	201740 (2)	—		
	2C	Screw	Tek, #10 × 1/2 long	37661 (6)			
	3	Corner post	Blower back		196239		
	4	Back assembly	Blower adapter				
	4A	Adapter back	Bottom		202050	202050	
	4B		Top		196032	196032	
	4C		Left side		197253	197253	
	4D		Right side		197254	197254	
	4E	Screw		195638 (20)			
	4F	Air baffle	Horizontal				
	4G		Vertical	196345	196345		
	4H	Support bracket		Refer to Table 13			
	4I	Support bracket					
4J	Bolt						
4K	Nut						
5	Key						
6	Blower shaft						
7	Blower bearing						
1/4–3/4	8	Bracket assembly, motor adjustment					
1–5	9–19	Mounting hardware for unit sizes 150–400					

*Quantity is one (1) inless otherwise indicated.

NOTE: Items 1, 3, 5, 6, 7, and 8 are not shown in [Figure 5](#).

Table 13. Blower Backs and Blowers (Unit Sizes 150–400)

HP	Item No.	Component	Description	Unit Size				
				150	175–200	225, 250	300–400	
				PN (Quantity)*				
All	1	Restrictor assembly		Refer to Table 12				
	1A	Restrictor						
	1B	Angle						
	1C	Screw						
	2	Blower assembly						
	2A	Blower	12 × 12	1360	—			
			15 × 11	—	100658	—		
			15 × 15	—	100659			
	2B	Mounting angle		Refer to Table 12				
	2C	Screw						
	3	Corner post	Blower back		201797	201798	201799	
	4	Back assembly	Blower adapter		202931	201800	201801	201802
	4A	Adapter back	Bottom		201718	201719	201720	
	4B		Top		201715	201716	201717	
	4C		Left side		201724	201725	201726	
	4D		Right side		201721	201722	201723	
	4E	Screw		195638 (34)		195638 (26)	195638 (34)	
	4F	Air baffle	Horizontal		202934	202932 (2)	—	202933 (2)
	4G	Air baffle		Refer to Table 12				
	4H	Support bracket	Hanger, left		202759			
	4I		Hanger, right		202760			
	4J	Bolt**	1/4 × 5/8		(6) 47252			
	4K	Nut	1/4-20		(6) 7328			
5	Key	1/4 square × 1-1/4 long		16099				
6	Blower shaft	1 × 22	11303		—			
		1 × 23	—		100747			
7	Blower bearing	SRC-16-1-1-inch		10437				
1/4–3/4	8	Bracket assembly	Motor adjustment		193996		—	
	8A	Bracket	Motor adjustment		12575			
	8B	Nut	Spotweld, 5/16-18		16233 (2)			
	8C	Bolt, motor adjustment	Hex head, 5/16-18 × 4 long		14668 (2)			
	8D	Nut	Hex, 5/16-18		1035 (2)			
	8E	Capscrew, hex head	1/4-20 × 3/4 long		16246 (2)			
	8F	Nut, Keps	Hex, 1/4-20		10650 (2)			
	8G	Washer	Flat, 1/4		1320 (4)			
8H	Hardware bag		64940					
1–5	9	Plate	Motor mounting		202839	202840	202841	
	10	Support, motor mounting plate	Left		12576			
			Right		12577			
	12	Rod bolt	5/16-18		12489 (2)			
	13	Nut	Hex, 5/16-18		1035 (2)			
	14	Nut, Keps	Hex, 5/16-18		6554 (6)			
	15	Washer	Flat, 5/16		1087 (8)			
	16	Capscrew, hex head	5/16-18 × 3/4 long		16247 (6)			
			5/16-18 × 1-1/2 long		16248 (2)			
	18	Insert, threaded	5/16-18 (#ATS2-518)		124260 (4)			
	19	Fastener, Teks	#10-16 × 1/2 long		37661 (4)			

*Quantity is one (1) inless otherwise indicated.

**For securing hanger support bracket to adapter back.

NOTE: Items 1, 3, 5, 6, 7, and 8 are not shown in [Figure 5](#).

CABINET COMPONENTS

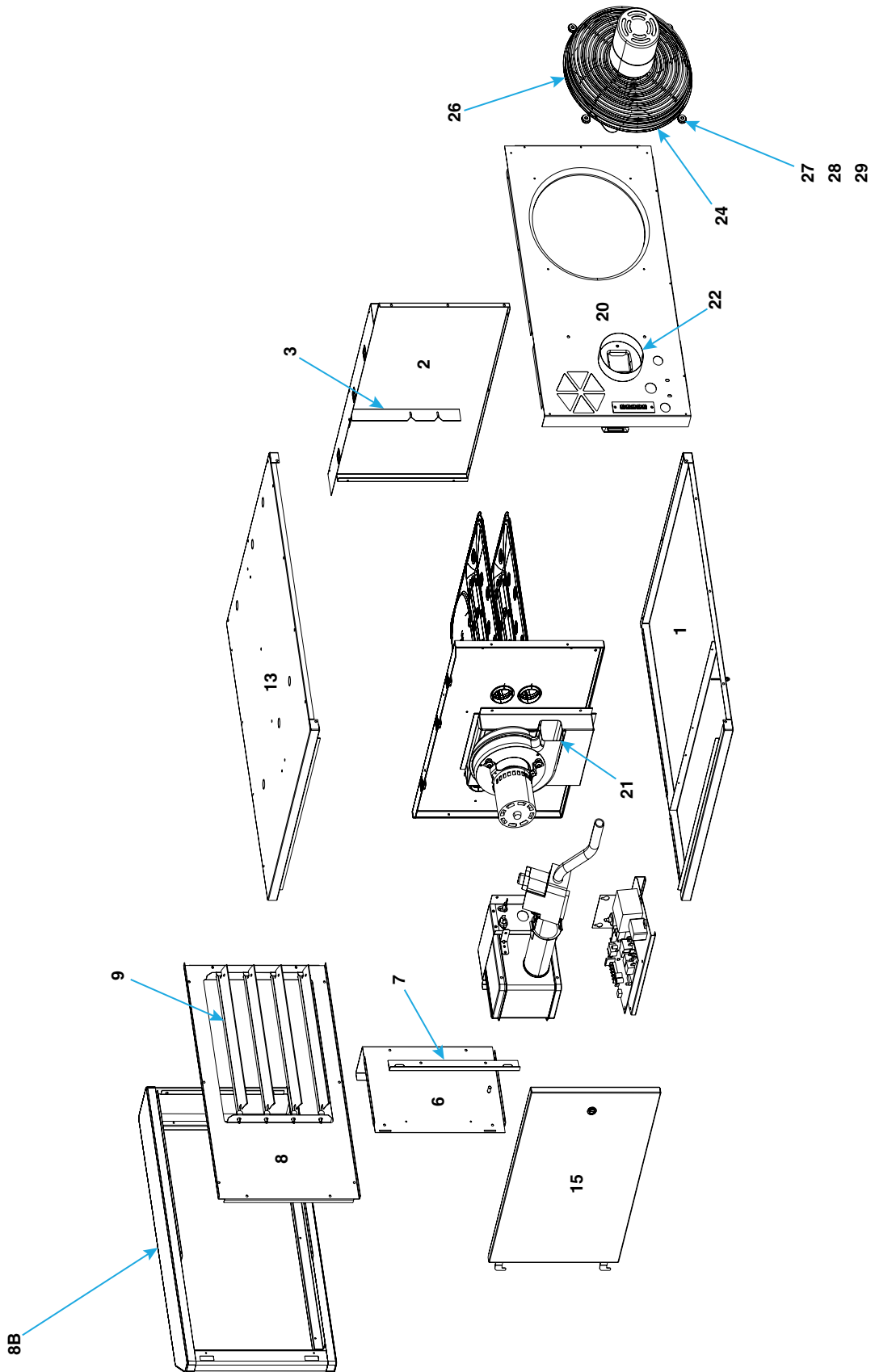


Figure 6. Cabinet Components (Refer to [Table 14](#) and [Table 15](#))

Table 14. Cabinet Components (Unit Sizes 030–125)

Item No.	Component	Description	Model	Unit Size						
				030	045	060	075	100	125	
				PN (Quantity)*						
1	Pan assembly	Bottom	All	1034099		1034099		1034099		
2	Side panel	Left	All	1028425		1028427		1028445		
3	Support	Heat exchanger	All	1034663	1034664	1034665	1034666	1034667	1034668	
4	Gasket	Heat exchanger support	All	236155 (2)		236155 (2)		236155 (2)		
5	Screw	Sheet metal, #8-18 × 3/8	All	195638		195638		195638		
6	Panel	Right	UBX, UDX	1036221		1036222		1036223		
			UBZ, UDZ	1036227		1036228		1036229		
7	Stop	Door	All	1036233		1036234		1036235		
8	Plate		UBX, UDX	1028412		1028432		1028438		
			UBZ, UDZ	1028414		1028435		1028442		
8A	Inlay	Face	UBZ, UDZ	1028415		1028436		1028439		
8B	Spot weld assembly		All	1033802		1033812		1033813		
9	Louver	Horizontal, black	UBX, UDX	1028417 (4)		1028417 (5)		1028417 (7)		
			UBZ, UDZ	1028416 (3)		1028416 (4)		1028416 (6)		
		Horizontal, red	UBZ, UDZ	1033958		1033958		1033958		
10	Spring	Compression, for louver	All	195046 (3)		195046 (4)		195046 (6)		
11	Hanger bar	Right	UBX, UBZ	202744		202744	202746	202748	202750	
12		Left		202743		202743	202745	202747	202749	
13	Clip nut	For hanging	All	196336 (2)		196336 (2)		196336 (2)		
	Panel	Top		1028422		1028422		1028422		
14	Air baffle	Top	UDX, UDZ	195545	195546	195547	195548	195549	195550	
15	Access door	Does not include handle and gaskets	UBX, UDX							
			UBZ, UDZ							
16	Plug	Window	UBZ, UDZ	207525		207525		207525		
17	Rubber	Door	UDX, UDZ	155064 (4)		155064 (4)		155064 (4)		
18	Gasket	Door, top/bottom	UBZ, UDZ	202031(2)		202031(2)		202031(2)		
19		Door, side		202031(2)		202031(2)		202031(2)		
20	Rear panel	—	UDX	1028421		1028428		1028446		
		Includes inlet collar	UDZ	1034641		1034642		1034643		
		—	UBX	1033882		1033883		1033884		
		Includes inlet collar	UBZ	1034648		1034649		1034650		
21	Gasket	Outlet collar	All	170048		170048		170048		
22	Outlet collar	4-inch	All	195077		195077		195077		
23	Support, flue (outlet) collar		Refer to Table 16							
24	Fan blade		UDX, UDZ	195644	195645	195646	195647	195648	195649	
25	Fan guard	Standard spacing	UDX, UDZ	175266		175267		195047		
		Fingerproof (option AZ8)		260873		260874		260875		
26	Bushing	Fan guard isolator		196349 (4)		196349 (4)		196349 (4)		
27	Screw	Fan guard isolator/bushing		196330 (4)		196330 (4)		196330 (4)		
28	Isolator	Fan guard		196348 (4)		196348 (4)		196348 (4)		
29	Clip	Fan guard, in back		54633 (4)		54633 (4)		54633 (4)		
30	Grommet	For pipe		UBZ, UDZ	102607		102607		102607	
31	Touch-up paint	White, spray can		All	1036167		1036167		1036167	
		Black, spray can	1036166		1036166		1036166			
33	Reznor logo	Sticker	UBX, UDX	1034239		1034240		1034240		
		Plastic	UBZ, UDZ	1034238		1034238		1034238		

*Quantity is one (1) unless otherwise indicated.

CABINET COMPONENTS—CONTINUED

Table 15. Cabinet Components (Unit Sizes 150–400)										
Item No.	Component	Description	Model	Unit Size						
				150	175	200	225	250	300	350
				PN (Quantity)*						
1	Pan assembly	Bottom	All	1034101			1034101		1034102	
2	Side panel	Left	All	1033699			1033706		1033719	
3	Support	Heat exchanger	All	Part of replacement heat exchanger (refer to Table 18)						
4	Gasket	Heat exchanger support								
5	Screw	Sheet metal, #8-18 x 3/8								
6	Panel	Right	UBX, UDX	1036224		1036225		1036226		
			UBZ, UDZ	1036230		1036231		1036232		
7	Stop	Door	All	1036236		1036237		1036238		
8	Plate	Face	UBX, UDX	1033696		1033811		1033729		
			UBZ, UDZ	1033692		1033713		1033800		
8A	Inlay		UBZ, UDZ	1033693		1033714		1033801		
8B	Assembly		All							
9	Louver	Horizontal, black	UBX, UDX	1033810 (5)		1033810 (7)		1033810 (10)		
			UBZ, UDZ	1033694 (4)		1033694 (6)		1033694 (9)		
		Horizontal, red	UBZ, UDZ	1033959		1033959		1033959		
10	Spring	Compression, for louver	All	195046 (5)		195046 (7)		195046 (10)		
11	Hanger bar	Right	UBX, UBZ	202752		202754		202756	202758	
12		Left		202751		202753		202755	202757	
13	Clip nut	For hanging	All	196336 (2)		196336 (2)		196336 (2)		
	Panel	Top	All	1033698		1033698		1033718		
14	Not used									
15	Access door	Does not include handle and gaskets	UBX, UDX	195565		195566		195567		
			UBZ, UDZ	207607		207608		207609		
16	Plug	Window	UBZ, UDZ	207525		207525		207525		
17	Rubber	Door	UBX, UDX	155064 (4)		155064 (4)		155064 (4)		
18	Gasket	Door, top/bottom	UBZ, UDZ	202031 (2)		202031 (2)		202031 (2)		
19		Door, side		202031 (2)		202031 (2)		202031 (2)		
20	Rear panel	—	UBX	1033885	1033886	1033887	1033888			
		Includes inlet collar	UBZ	1034651	1034652	1034653	1034654			
		—	UDX	1033702	1033705	1033707	1033722			
		Includes inlet collar	UDZ	1034644	1034645	1034646	1034647			
21	Gasket	Outlet collar	All	170048	196822	196822	196822			
22	Outlet collar	5-inch	All	195079	216950	216950	—			
		6-inch		—		—		216951		
23	Support	Flue (outlet) collar	All	—	254952	254952	254952			
24	Fan blade		UDX, UDZ	195679	195680	195681	195682	195683	209122	209121
25	Fan guard	Standard spacing	UDX, UDZ	170084		170085		170086		
26	Bushing	Fan guard isolator	UDX, UDZ	96451 (4)		96451 (4)		96451 (4)		
27	Screw	Fan guard isolator/bushing	UDX, UDZ	96452 (4)		96452 (4)		96452 (4)		
28	Isolator	Fan guard	UDX, UDZ	196348 (4)		196348 (4)		196348 (4)		
29	Clip	Fan guard, in back	UDX, UDZ	54633 (4)		54633 (4)		54633 (4)		
30	Grommet	For pipe	UBZ, UDZ	102607		15021		15021		
31	Touch-up paint	White, spray can	All	1036167		1036167		1036167		
32		Black, spray can		1036166		1036166		1036166		
33	Reznor logo	Sticker	UBX, UDX	1034240		1034240		1034240		
		Plastic	UBZ, UDZ	1034238		1034238		1034238		

*Quantity is one (1) unless otherwise indicated.

VENTER AND FLUE WRAPPER COMPONENTS

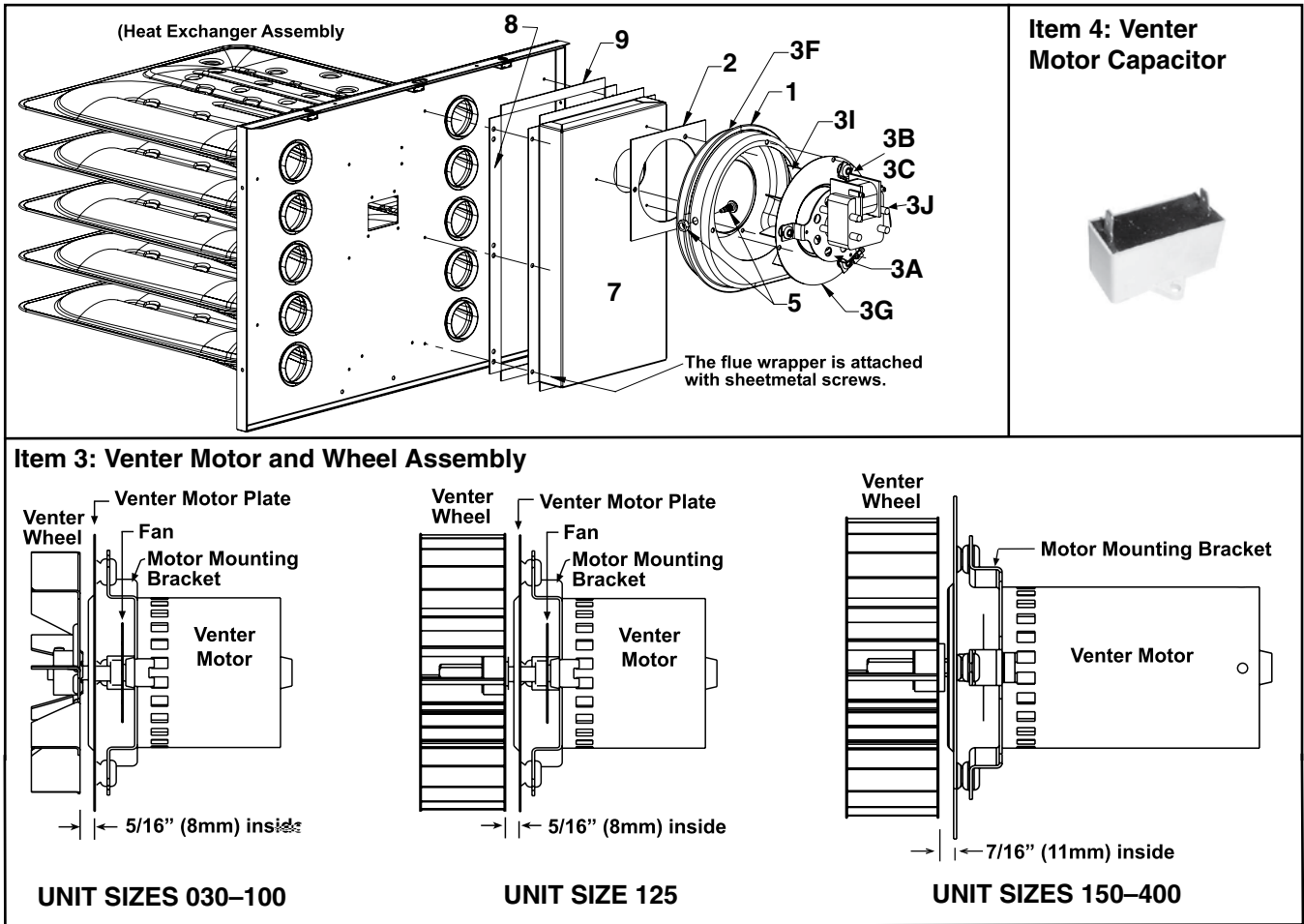


Figure 7. Venter and Flue Wrapper Components (Refer to [Table 16](#) and [Table 17](#))

VENTER AND FLUE WRAPPER COMPONENTS—CONTINUED

Table 16. Venter and Flue Wrapper Components (Unit Sizes 030–125)									
Item No.	Component	Description	Model	Unit Size					
				030	045	060	075	100	125
PN (Quantity)*									
1	Housing	Venter	All	196248					
2	Gasket	Venter housing		196012					
3	Venter motor and wheel	Assembly	UBX	220779	220779		1036168	1036169	1036170
			UBZ		1036169				
			UDX		220779				
			UDZ		1036169				
3A	Bracket***	Venter motor	All	195072			—		
3B	Isolator	Venter motor		194534 (3)					
3C	Bushing	Venter motor isolator		194803 (3)					
3D	Screw	Venter motor isolator bushing		113275 (3)					
3E	Plate	Venter motor		194806					
3F	Gasket	Venter motor plate		Refer to Table 18					
3G	Clip	Venter motor		Not required					
3H	Screw	Venter motor clip							
3I	Wheel	Venter		UBX	195036	195036		195036	135979
				UBZ					
			UDX						
			UDZ						
3J	Motor	Venter	UBX	1005552	1005552		1005553	236157	
			UBZ		236157				
			UDX		1005552				
			UDZ		236157				
3K	Cooling fan	Venter motor	All	195766					
4	Venter motor capacitor		Refer to Table 17						
5	Static pressure tap		116043						
6	Tubing, silicone rubber	6 inches long	All	148986					
7	Flue wrapper assembly		UBX, UDX	1034070	1034072	1034074	1034076	1034078	1034080
			UBZ, UDZ		1034044	1034046			
7A	Flue wrapper		UBX, UDX	1034071	1034073	1034075	1034077	1034079	1034081
			UBZ, UDZ		1034045	1034047			
8	Gasket, flue wrapper	Side	All	170029		170030		1033980	
9		Top/bottom		170038		170038		170038	
*Quantity is one (1) unless otherwise indicated.									
**Units with 460V and 575V supply use the 115V venter motor.									

Table 17. Venter and Flue Wrapper Components (Unit Sizes 150–400)

Item No.	Component	Description	Model	Unit Size							
				150	175	200	225	250	300	350	400
				PN (Quantity)*							
1	Housing	Venter	All	196248			257029			257029	
2	Gasket	Venter housing		196012			254935			254935	
3	Venter motor and wheel assembly**	115V	All (except with option AV6)	220782			220784			220786	
		208/230V/1PH	UDX, UDZ	220783			220785			220787	
		208/230V/3PH	UBX, UBZ	220783			220785			220787	
3A	Bracket**	Venter motor	All	195072			195072			195072	
3B	Isolator	Venter motor		194534 (3)			194534 (3)			194534 (3)	
3C	Bushing	Venter motor isolator		194803 (3)			194803 (3)			194803 (3)	
3D	Screw	Venter motor isolator bushing		113275 (3)			113275 (3)			113275 (3)	
3E	Plate	Venter motor		194806			194910			194910	
3F	Gasket	Venter motor plate		—			201472			201472	
3G	Clip	Venter motor		Not required			Not required			Not required	
3H	Screw	Venter motor clip		Not required			Not required			Not required	
3I	Wheel	Venter		195036			195666			195666	
3J	Venter motor	115V		236157			236158			236159	
3K	Cooling fan	Venter motor		195766			196035			196035	
4	Venter motor capacitor	115V, 3µF, 400VAC		UDX, UDZ (with options D10 and D14)	236180			—			—
		115V, 4µF, 400VAC			195641			—			—
		115V, 5µF, 400VAC	—				—			195642	
		115V, 7.5µF, 400VAC	—				195643			—	
		115V	—				195643		195642	195643	
		115V, 3µF, 400VAC	236180				—			—	

*Quantity is one (1) unless otherwise indicated.

VENTER AND FLUE WRAPPER COMPONENTS—CONTINUED

Table 17. Venter and Flue Wrapper Components (Unit Sizes 150–400)—Continued											
Item No.	Component	Description	Model	Unit Size							
				150	175	200	225	250	300	350	400
				PN (Quantity)*							
4 (cont.)	Venter motor capacitor (continued)	115V, 4 μ F, 400VA	UDX, UDZ (each with options D10 and D14) (continued)	—	195641	—			—		
		115V, 5 μ F, 400VAC		195642	—	—			—		
		208/230V/1PH		195641		195642			195641		
		208/230V/3PH, 4 μ F, 400VAC	UBX, UBZ	195641		—			195641		
		208/230V/3PH, 5 μ F, 400VAC		—		195642			—		
5	Static pressure tap			116043		116043			116043		
6	Tubing, silicone rubber	12 inches long	All	148251		—			—		
		16 inches long		—		205837	—				
		20 inches long		—		—		130673			
		22 inches long		—		—			157904		
7	Flue wrapper assembly	UBX, UDX	1034082	1034084	1034086	1034088	1034090	1034092	1034094	1034096	
		UBZ, UDZ			1034058			1034064	1034066		
7A	Flue wrapper	UBX, UDX	1034083	1034085	1034087	1034089	1034091	1034093	1034095	1034097	
		UBZ, UDZ			1034059			1034065	1034067		
8	Gasket, flue wrapper	Side	All	170033	170034	170035	170042	170043	170044	170036	170037
9		Top/bottom		170039		170039			170039		

*Quantity is one (1) unless otherwise indicated.
 **Units with 460V and 575V supply use the 115V venter motor.

HEAT EXCHANGER AND BURNER ASSEMBLY COMPONENTS

NOTE: Replacement heat exchanger and burner assembly for unit sizes 30–125 are shown in **Figure 8**. Replacement heat exchanger for unit sizes 150–400 includes a tube support and four channels that connect the header to the support. All replacement heat exchangers include a gasket kit with instructions for attaching gaskets.

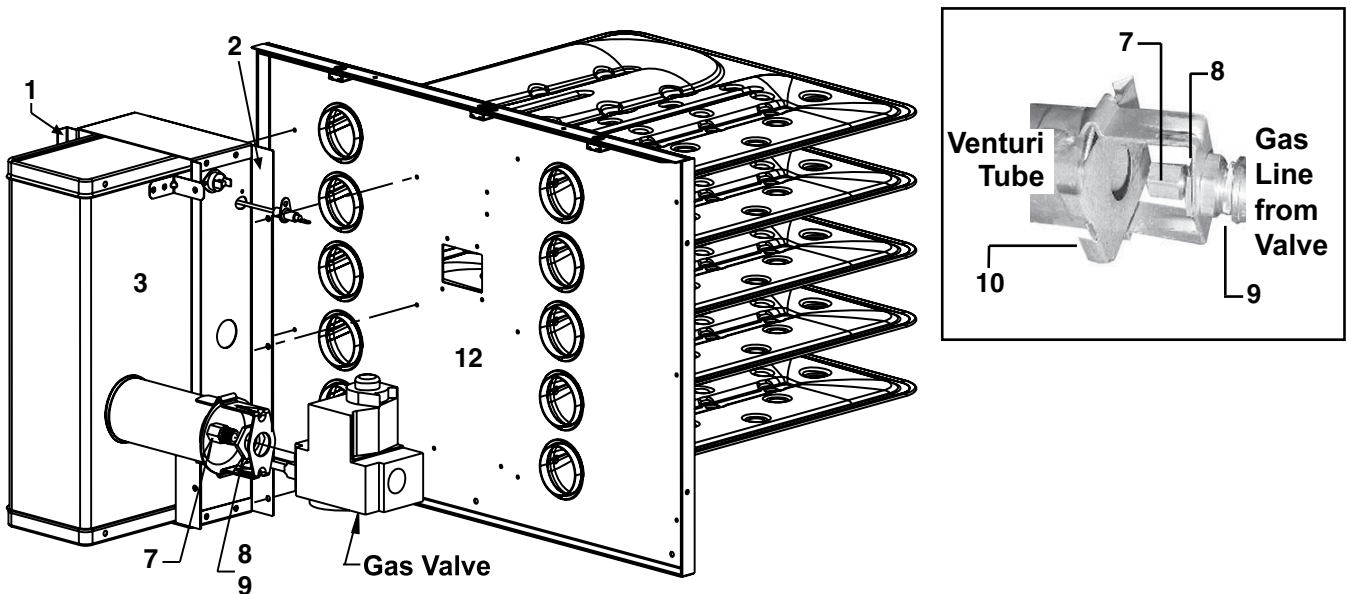


Figure 8. Replacement Heat Exchanger and Burner Assembly Components—Unit Sizes 30–125
(Refer to [Table 18](#) and [Table 19](#))

Table 18. Burner Assembly Components (Unit Sizes 030–125)

Item No.	Component	Description	Model	Unit Size					
				030	045	060	075	100	125
				PN (Quantity)*					
1	Burner shield	Front side	UDX, UDZ	222100	222101	222102	222103	222105	222106
			UBX, UBZ				222104		
2	Burner shield	Rear side	UDX, UDZ	222127	222128	222129	222130	222131	222132
			UBX, UBZ	222147	222148	222149	222150	222151	222152
3	Burner assembly		UDX, UDZ	195231	195232	195233	195234	195235	195236
			UBX, UBZ	195231	195232	195233	202642	195235	195236
4	Gasket	Burner end (not shown)	All	195667 (2)		195667 (2)		195667 (2)	
5	Burner baffle (not shown)		UDX, UDZ	—	—	—	—	196750 (2)	
							196751 (2)	196751 (2)	—
			UBX, UBZ				196749 (2)	196750 (2)	
							202682 (2)	202683 (2)	202684 (2)
6	Burner support (not shown)		All	196597 (3) 196752	196597 (4)	196597 (4)		196597 (6)	
7	Burner orifice		All	Refer to Table 20					
8	Nut, pipe	1/2	All	165702		165702		165702	
9	Bushing	Orifice adapter, 1/2 x 1/4	All	165701		165701		165701	
10	Primary air restrictor	For propane only	UDX, UDZ	196687		196688		196688	—
			UBX, UBZ	203078		202051		196688	
11	Gas conversion kit (not shown)	Natural gas to propane	UDX, UDZ	269835		269836		269837	
			UBX, UBZ	269840		269841			
		Propane to natural gas	All	269851		269852		269853	
12	Heat exchanger assembly, includes gaskets	Aluminized (AC1)	UDX	1034160	1034161	1034162	1034163	1034164	1034165
			UBX, UBZ, UDZ	1034024	1034027	1034030	1034033	1034036	1034039
		409 stainless steel (AC2)	All	1034026	1034029	1034032	1034035	1034038	1034041
		316 stainless steel (AC4)		1034025	1034028	1034031	1034034	1034037	1034040
12A	Gasket kit	Heat exchanger	All	1036360		1036361		1036362	

*Quantity is one (1) unless otherwise indicated.

HEAT EXCHANGER AND BURNER ASSEMBLIES—CONTINUED

Table 19. Burner Assembly Components (Unit Sizes 150–400)

Item No.	Component	Description	Model	Unit Size							
				150	175	200	225	250	300	350	400
				PN (Quantity)*							
1	Burner shield	Front side	UDX, UDZ	222107	222108	222109	222110	222111	222112		
			UBX, UBZ						222112	222113	
Rear side		UDX, UDZ	222133	222134	222136	222137	222138	222139			
		UBX, UBZ						222139	222140		
3	Burner assembly	All	195237	195238	195239	195240	195241	195242	195243		
4	Gasket	Burner end (not shown)	All	195668 (2)		195668 (2)		195668 (2)			
5	Burner baffle (not shown)	All	197238 (2)		197238 (2)		197239 (2)	—			
6	Burner support (not shown)	All	196598 (4)		196598 (6)		196598 (6)				
7	Burner orifice	Refer to Table 20									
8	Nut, pipe	1/2	All	165702		165702		165702			
9	Bushing, orifice adapter	1/2 × 1/4	All	165701		—		—			
		3/4 × 3/8	All	—		194809		194809			
10	Primary air restrictor	For propane only	All	196688	—		—		—		
11	Gas conversion kit (not shown)	Natural gas to propane	All	269838		269839		201732	201732		
		Propane to natural gas	All	269854		269855		201738	201738		
12	Heat exchanger assembly, includes gaskets, tube supports, and tube support channels	Aluminized (AC1)	UDX	1034589	1034593	1034597	1034601	1034605	1034609	1034613	
			UBX, UBZ, UDZ	1034590	1034594	1034598	1034602	1034606	1034610	1034614	
		All	409 stainless steel (AC2)	1034592	1034596	1034600	1034604	1034608	1034612	1034616	
		316 stainless steel (AC4)	1034591	1034595	1034599	1034603	1034607	1034611	1034615		
12A	Gasket kit	Heat exchanger	All	201670		201671	221214	201672	201672		

*Quantity is one (1) unless otherwise indicated.

Table 20. Burner Orifices

Unit Size*	Natural Gas		Propane	
	Orifice (Drill) Size	PN	Orifice (Drill) Size	PN
030	#39	196852	1.6-mm	196844
045	3.1 mm	120144	#48	196845
060	#28	124969	2.25 mm	1034350
075	#22	196361	#40	120137
100	#14	208247	#32	120141
125	#10	120158	3.1 mm	120144
150	5.6 mm	208243	3.5 mm	120148
175	6.0 mm	208245	#27	120149
200	F	120167	4.1 mm	196900
225	6.95 mm	221121	11/64 inch	196901
250	L	208255	4.6 mm	1034352
300	7.8 mm	208253	#8	196903
350	8.5 mm	1034354	5.4 mm	1034353
400	9.2 mm	1034355	5.8 mm	196905

*All models.

VENTING AND COMBUSTION AIR KIT COMPONENTS (MODELS UDZ AND UBZ)

NOTES:

- There are three venting and combustion air kits. Kit components are shown in [Figure 9](#) and listed in [Table 21](#).
- The vertical vent terminal/combustion air package is the same as option CC2. The horizontal vent terminal/combustion air package is the same as option CC6. Kit components.
- The concentric adapter box assembly (item 1A) for the vertical vent terminal/combustion air package is configured with a collar and a vent pipe opening on the heater connection side. The collar is for connecting the combustion air pipe from the heater and the vent pipe opening is for the vent pipe to run through from the terminal and outside air pipe to connect to the vent run.
- The concentric adapter box assembly (item 1B) for the horizontal vent terminal/combustion air package is configured with a collar on the vent terminal connection side. The collar is for connecting the outside portion of the combustion air pipe. The vent pipe runs concentric through the outside portion of the combustion air pipe.

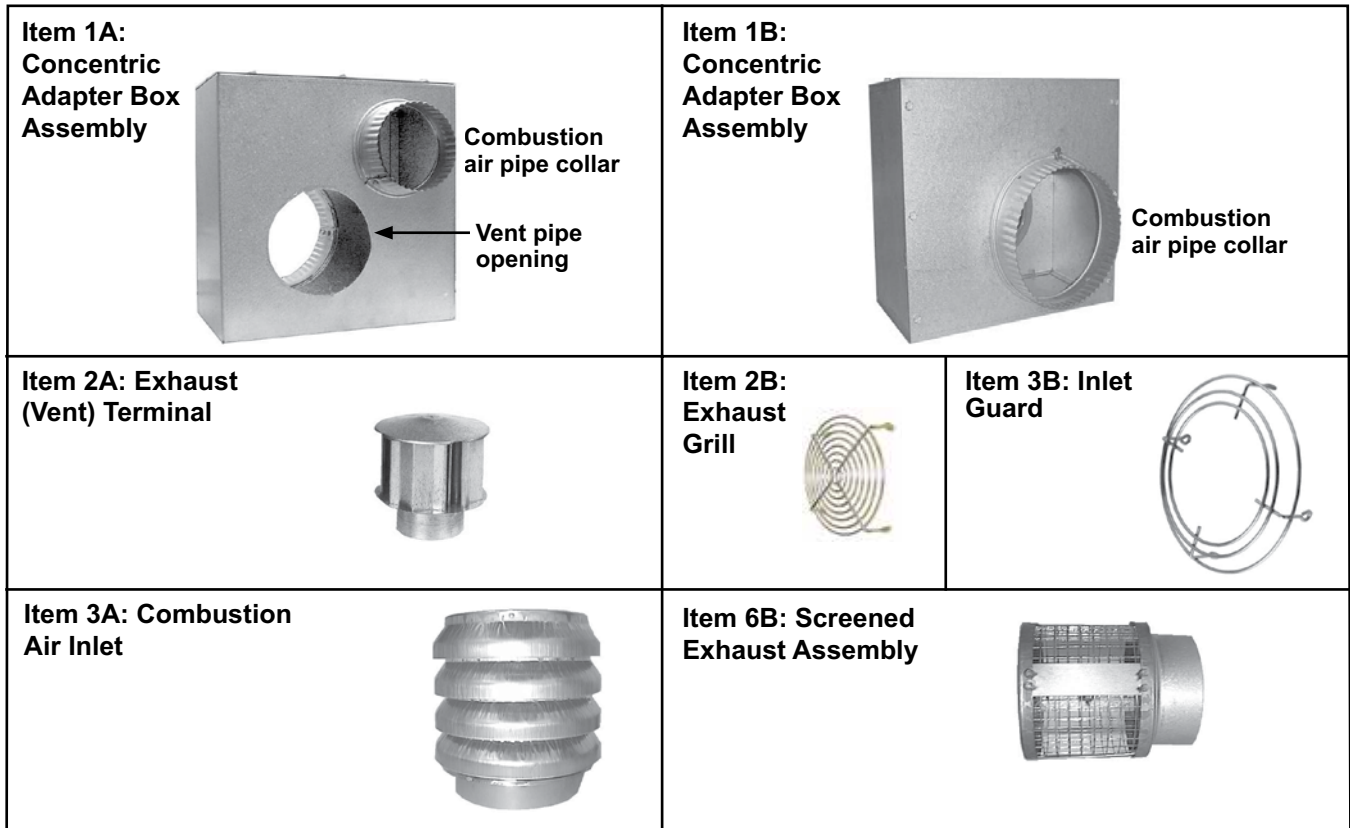


Figure 9. Venting and Combustion Air Kit Components (Refer to [Table 21](#))

VENTING AND COMBUSTION AIR KIT COMPONENTS (MODELS UDZ AND UBZ)—CONTINUED

Table 21. Venting and Combustion Air Kit Components						
Kit	Unit Size		Item No.	Component	Unit Size	
	030–125	150–400			030–125	150–400
	Kit PN				Component PN (Quantity)*	
Vertical vent kit (same as option CC2)	205895	205896	1A	Concentric adapter box assembly	205884	205885
			2A	Exhaust (vent) terminal	110051	110052
			3A	Combustion air inlet	155635	53330
			4A	Bracket, concentric adapter box (not shown)	207232 (2)	
			5A	Sealant, clear silicone, #732, high temperature (450°F), 3-oz tube (not shown)	53335	
Horizontal vent kit (same as option CC6)	211762	211763	1B	Concentric adapter box assembly	211789	211790
			2B	Exhaust grill	211791	211792
			3B	Inlet guard	151755	124940
			4B	Bracket, concentric adapter box (not shown)	207232 (2)	
			5B	Screw, #10-16 × 1/2 long, to attach guard and grill (not shown)	37661 (8)	
			6B	Screened exhaust assembly	155096	53316
			7B	Sealant, clear silicone, #732, high temperature (450°F), 3-oz tube (not shown)	53335	

*Quantity is one (1) unless otherwise indicated.

ACCESSORIES/OPTIONS

Vent Cap

The vent cap (see [Figure 10](#)) is the same as option CC1. The vent cap is used only on UDX and UBX models (refer to [Table 22](#)).



Figure 10. Vent Cap

Table 22. Vent Caps					
Model	Unit Size				
	030–075	100	125	150–250	300–400
	PN (Size)				
UBX, UDX	111848 (4-inch)			111849 (5-inch)	111850 (6-inch)
UDX (with option AV6)	111848 (4-inch)	111849 (5-inch)	—		

Vertical Louver Assembly Components

NOTE: When installed, vertical louvers must be adjusted to achieve the desired airflow pattern.

The vertical louver assembly (see [Figure 11](#)) is the same as option CD1. Assemblies and their components are listed in [Table 23](#).

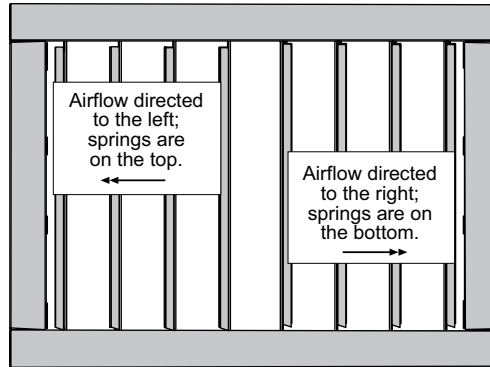


Figure 11. Vertical Louver Assembly

Table 23. Vertical Louver Assembly Components						
Component	Unit Size					
	030, 045	060, 075	100, 125	150–200	225, 250	300–400
	PN (Quantity)					
Kit package	1036298 (1)	1036299 (1)	1036300 (1)	1036301 (1)	1036302 (1)	1036303 (1)
Frame, louver	1028413 (1)	1028433 (1)	1028443 (1)	1033695 (1)	1033715 (1)	1033728 (1)
Louver	1028418 (5)	1028434 (5)	1028441 (5)	1033904 (8)	1033961 (8)	1033730 (8)

ACCESSORIES/OPTIONS—CONTINUED

Downturn Nozzle Assembly Components

The downturn nozzle assembly (see [Figure 12](#)) is the same as option CD2, CD3, CD4, or CD5. Assemblies and their components are listed in [Table 24](#).

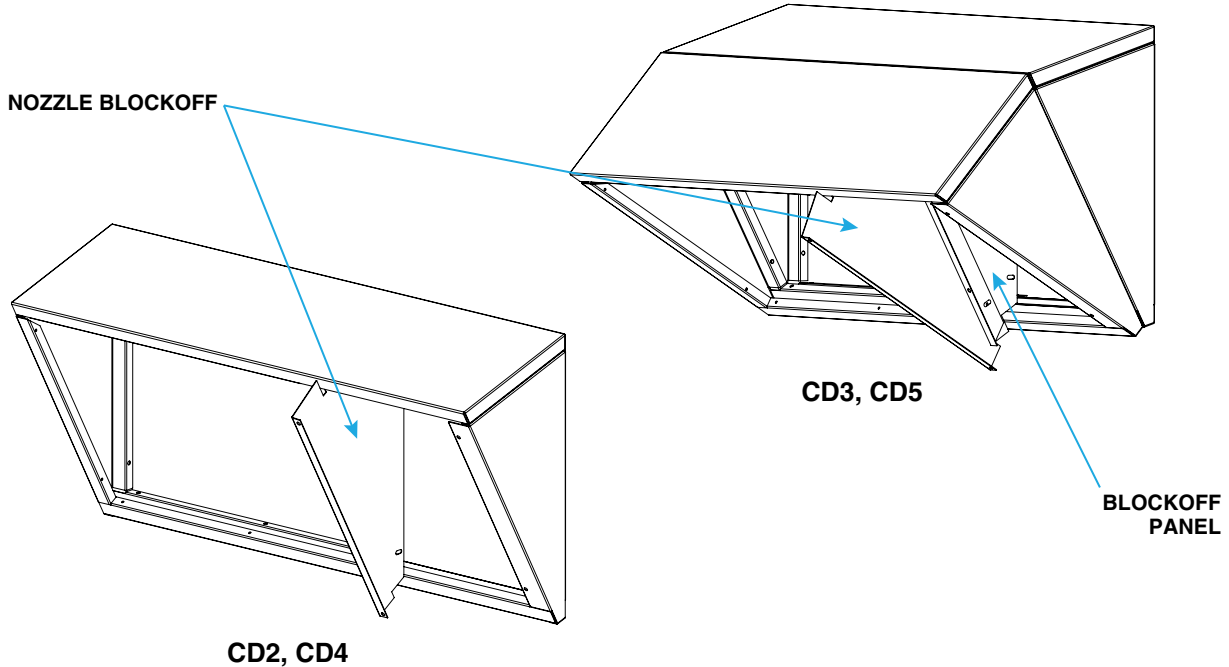


Figure 12. Downturn Nozzle Assemblies

Table 24. Downturn Nozzle Assembly Components							
Option	Component	Unit Size					
		030, 045	060, 075	100, 125	150–200	225, 250	300–400
PN							
Kit Packages							
CD2	Kit package, UBX/UDX	1036261	1036262	1036263	1036264	1036265	1036266
	Kit package, UBZ/UDZ	1036267	1036268	1036269	1036270	1036271	1036272
CD3	Kit package, UBX/UDX	1036273	1036274	1036275	1036276	1036277	1036278
	Kit package, UBZ/UDZ	1036279	1036280	1036281	1036282	1036283	1036284
CD4	Kit package, UBX/UDX	1033921	1033921	1033921	1034669	1034669	1034670
	Kit package, UBZ/UDZ	1036291	1036292	1036293	1036294	1036295	1036296
CD5	Kit package, UBX/UDX	1036306	1036307	1036308	1036309	1036310	1036311
	Kit package, UBZ/UDZ	1036312	1036313	1036314	1036315	1036316	1036317
Common Parts							
CD2, CD3, CD4, CD5	Nozzle section, right side*	1033918	1034681	1034682	1034683	1034684	1034685
	Nozzle section, left side*	1033917	1034676	1034677	1034678	1034679	1034680
	Nozzle section, top*	1033919	1034671	1034672	1034673	1034674	1034675
	Nozzle blockoff, UBX/UDX	1036215	1034686	1036205	1036206	1036207	1036208
	Nozzle blockoff, UBZ/UDZ	1036209	1036210	1036211	1036212	1036213	1036214
	Nozzle section, bottom*	1033921		1034669		1034670	
Kit-Specific Parts							
CD3, CD5	Blockoff panel	1033920	1036216	1036217	1036218	1036219	1036220
CD4, CD5	Vertical louver frame	1028413	1028433	1028443	1033695	1033715	1033728
	Vertical louver	1028418**	1028434**	1028441**	1033904***	1033961***	1033730***
*Quantity is two (2) for options CD3 and CD5. All other quantities are (1) unless otherwise indicated.							
**Quantity is five (5).							
***Quantity is eight (8).							

Duct Flange Assembly

The duct flange assembly is the same as option CD9. The duct flange assembly is used only on UBX and UBZ models (refer to [Table 25](#)).

Table 25. Duct Flange Assembly Components						
Component	Unit Size					
	030, 045	060, 075	100, 125	150–200	225, 250	300–400
PN (Quantity)						
Duct flange, top/bottom	1034655 (2)	1034655 (2)	1034655 (2)	1034656 (2)	1034656 (2)	1034656 (2)
Duct flange, side	1034657 (2)	1034658 (2)	1034659 (2)	1034660 (2)	1034661 (2)	1034662 (2)
Screw, duct flange	11813 (AR)					
Screw, #10, sheet metal, self-tapping	37661 (AR)					

Polytube Adapter Assembly

The polytube adapter assembly (see [Figure 13](#)) is the same as option CD11. The polytube adapter assembly is used only on unit sizes 075–400 for UBX and UBZ models (refer to [Table 26](#)).

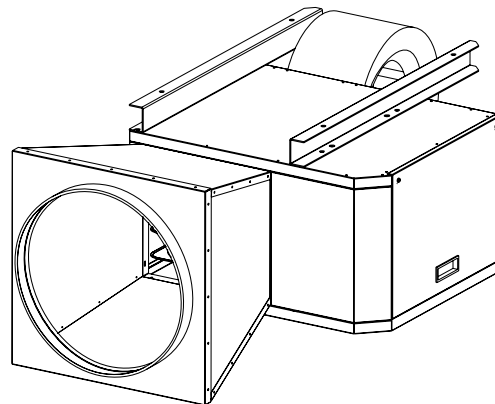


Figure 13. Polytube Adapter Assembly

Table 26. Polytube Adapter Assembly Components					
Component	Unit Size				
	075	100, 125	150–200	225, 250	300–400
Component PN					
Kit package	1036371	1036372	1036373	1036374	1036375
Adapter top	1036332	1036333	1036334	1036335	1036336
Adapter bottom					
Adapter right side	1036337	1036338	1036339	1036340	1036341
Adapter left side					
Discharge panel assembly	101249		101250		
Discharge duct collar clamp	101499		146463		
Screw, sheet metal, #10 × 1/2 long	11813 (52)				
Screw, sheet metal, #10 × 3/4 long	20859		—		
Screw, hex head, 1/4-20 × 1-1/2 long	—		51231		
Nut, hex, 1/4-20	—		7328		
Nut, wing, 1/4-20	—		107246		

ACCESSORIES/OPTIONS—CONTINUED

Blower Inlet and Belt Guard Assemblies

The blower inlet guard and belt guard assemblies (see [Figure 14](#)) together are the same as option CD10. The blower inlet guard assembly, when ordered separately is the same as option CD12. These guard assemblies are used only on UBX and UBZ models (refer to [Table 27](#)).



Blower Inlet Guard Assembly



Belt Guard Assembly

Figure 14. Blower Inlet and Belt Guard Assemblies

Table 27. Blower Inlet and Belt Guard Assembly Components				
Option	Component	Unit Size		
		030–125	150–200	225–400
		Assembly Package PN		
		114548	202316	202317
		Component PN (Quantity)*		
CD10	Blower inlet guard	—	203079	102475
	Belt guard		193797	193795
	Green wire assembly		202939	
	Screw, #10-16 × 1/2 long**		37661 (8)	
CD12	Blower inlet guard	102474	—	
	Screw, #10-16 × 1/2 long	37661 (4)		
*Quantity is one (1) unless otherwise indicated.				
**Four (4) screws are used to secure the blower inlet guard, three (3) are used to secure the belt guard, and one (1) is used to secure the ground wire to the blower.				

Hanger Kit

There are two hanger kit options (see [Figure 15](#)), one for two-point suspension (same as option CK8) and one for four-point suspension (same as option CK10). Refer to [Table 28](#) for hanger kit assembly components.



Figure 15. Hanger Kits

Table 28. Hanger Kit Components		
Option	Component	PN (Quantity)
CK8 (two-point)	Hanger kit package	98509 (1)
	Swivel connector assembly	17627 (2)
	Lockwasher, 3/8	5197 (2)
CK10 (four-point)	Hanger kit package	98511 (1)
	Swivel connector assembly	17627 (4)
	Lockwasher, 3/8	5197 (8)
	Nut, hex, 3/8	1438 (4)

Ceiling Suspension Kit

The ceiling suspension kit (see [Figure 16](#)) is the same as option CK22. The ceiling suspension kit is used only on unit sizes 030–125 for UDX and UDZ models (refer to [Table 29](#)).

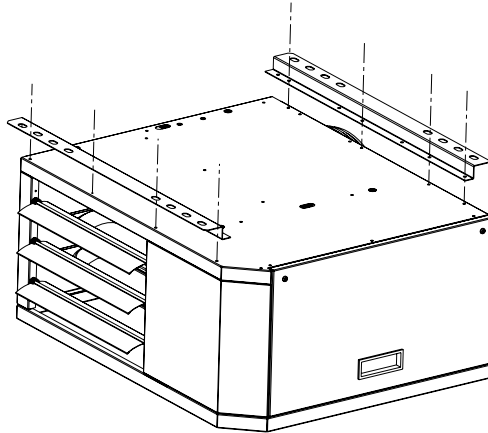


Figure 16. Ceiling Suspension Kit

Table 29. Ceiling Suspension Kit Components			
Model	Unit Size	Component	PN (Quantity)
UDX, UDZ	030–125	Ceiling suspension kit package	1036357 (1)
		Ceiling bracket*	1034211 (2)
		Screw, sheet metal	195638 (1)

*Attach ceiling brackets to the top of the heater, across the front and rear. Use exiting cabinet screws and the screws from the kit.

ACCESSORIES/OPTIONS—CONTINUED

Manual Shutoff Valve Assembly

The manual shutoff valve assembly (see [Figure 17](#)) is the same as option CE1. The manual shutoff valve assembly and its components are listed in [Table 30](#).



Figure 17. Manual Shutoff Valve Assembly

Table 30. Manual Shutoff Valve Assembly Components		
Component	Unit Size	
	030–200	225–400
	PN	
Manual shutoff valve assembly	15971	15972
Ball valve, 1/2"	196910	—
Ball valve, 3/4"	—	196911
Union, 1/2"	1224	—
Union, 3/4"	—	1101

Thermostat

There are two thermostat options (see [Figure 18](#)), one for a single-stage thermostat (same as option CL1) and one for a two-stage thermostat (same as option CL22). A cover (same as option CM1) is available for either thermostat. Refer to [Table 31](#) for PNs.



Single-Stage



Two-Stage



Locking Cover

Figure 18. Thermostats

Table 31. Thermostats		
Option	Component	PN
CL1	Single-stage thermostat, 24V, fan switch	255350
CL22	Two-stage thermostat, 24V, fan switch	220630
CM1	Locking thermostat cover	257464

Relay Kits

NOTES:

- There are two relay kit options (see [Figure 19](#)), one for controlling two heaters (same as option CL31) and one for controlling up to six heaters (same as option CL32). Refer to [Table 32](#) for relay kit components.
- The relay kit may be installed on the control heater and on up to five additional heaters.
- The cable clamp (item 3) and relay bracket assembly (item 1) are secured using an existing cabinet screw. The other end of the relay bracket assembly is secured using the screw (item 2) from the kit.

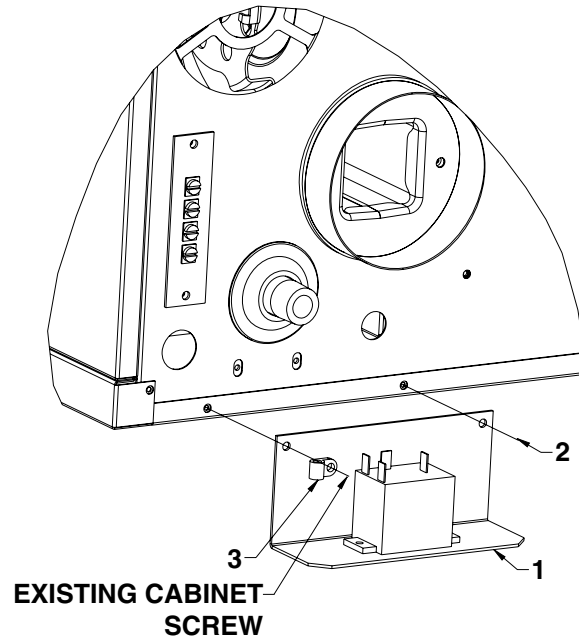


Figure 19. Relay Kit (Refer to [Table 32](#))

Table 32. Relay Kit Components			
Item No.	Component	Option	
		CL31	CL32
		Relay Kit Package PN	
		197155*	197156**
		Component PN (Quantity)	
1	Relay bracket assembly	197157 (2)	197157 (1)
1A	Relay, wired and mounted on specially-designed bracket	18549 (2)	18549 (1)
2	Screw, self-drilling, for securing relay bracket	195249 (2)	195249 (1)
3	Cable clamp, 3/16	16228 (2)	16228 (1)
4	Wiring diagram label (not shown)	197164 (2)	197164 (1)
5	Brown wiring harness assembly (not shown)	197160 (1)	
6	Transformer, 40VA, for control unit (not shown)	194808 (1)	—

*Includes components for one control unit and one additional unit.

**Includes components for each additional (four maximum) non-control unit.

ACCESSORIES/OPTIONS—CONTINUED

Thermostat Bracket Kit

NOTES:

- The thermostat bracket kit (see [Figure 20](#)) is the same as option CM3. Refer to [Table 33](#) for thermostat bracket kit components.
- The left side of the bracket (item 4) is secured to the heater using an existing cabinet screw. The right side is secured using the screw (item 5) from the kit.

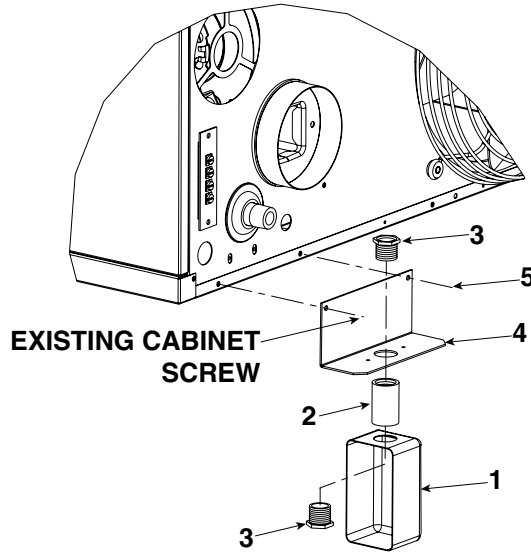


Figure 20. Thermostat Bracket Kit (Refer to [Table 33](#))

Table 33. Thermostat Bracket Kit Components			
Item No.	Component	Thermostat Bracket Kit Package PN	
		197077	
		PN	Quantity
1	Electrical box, 2 × 4	17782	1
2	Coupling, conduit connector, 1/2	7447	1
3	Chase nipple, 1/2	3618	2
4	Bracket	197072	1
5	Screw, self-drilling	195249	1

