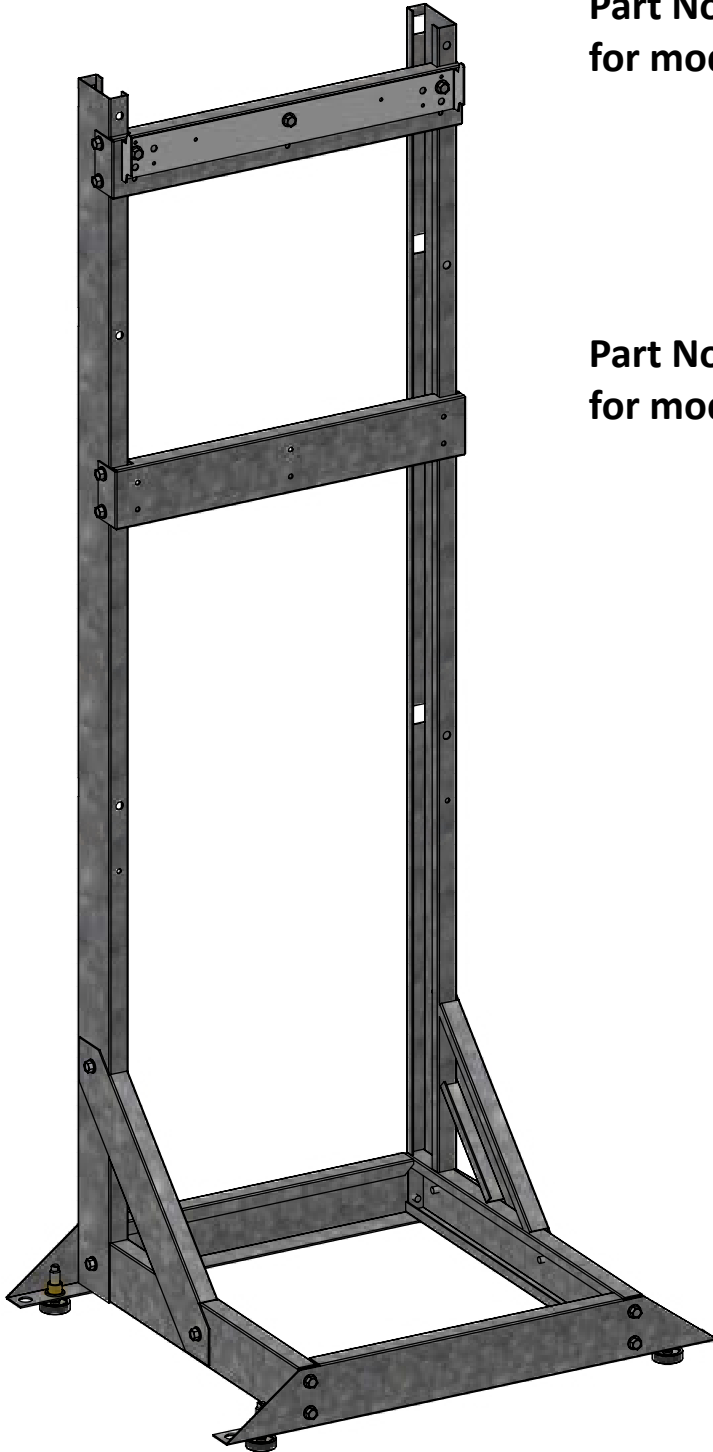


Assembly instructions



Part No. 86998

for models — TRX085 – 199C

FTVN085 – 199C

Tft60 – 285*

* S/N 153063 and later.
Will not fit earlier units.

Part No. 86999

for models — Tft340 – 399**

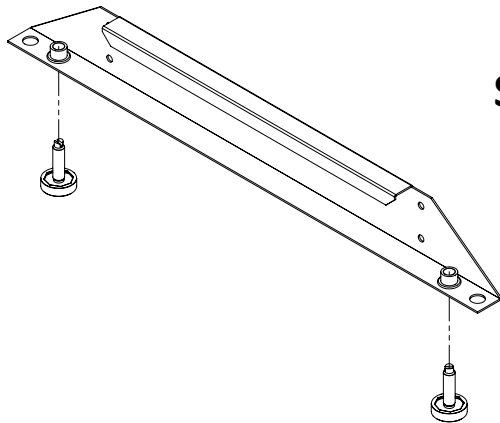
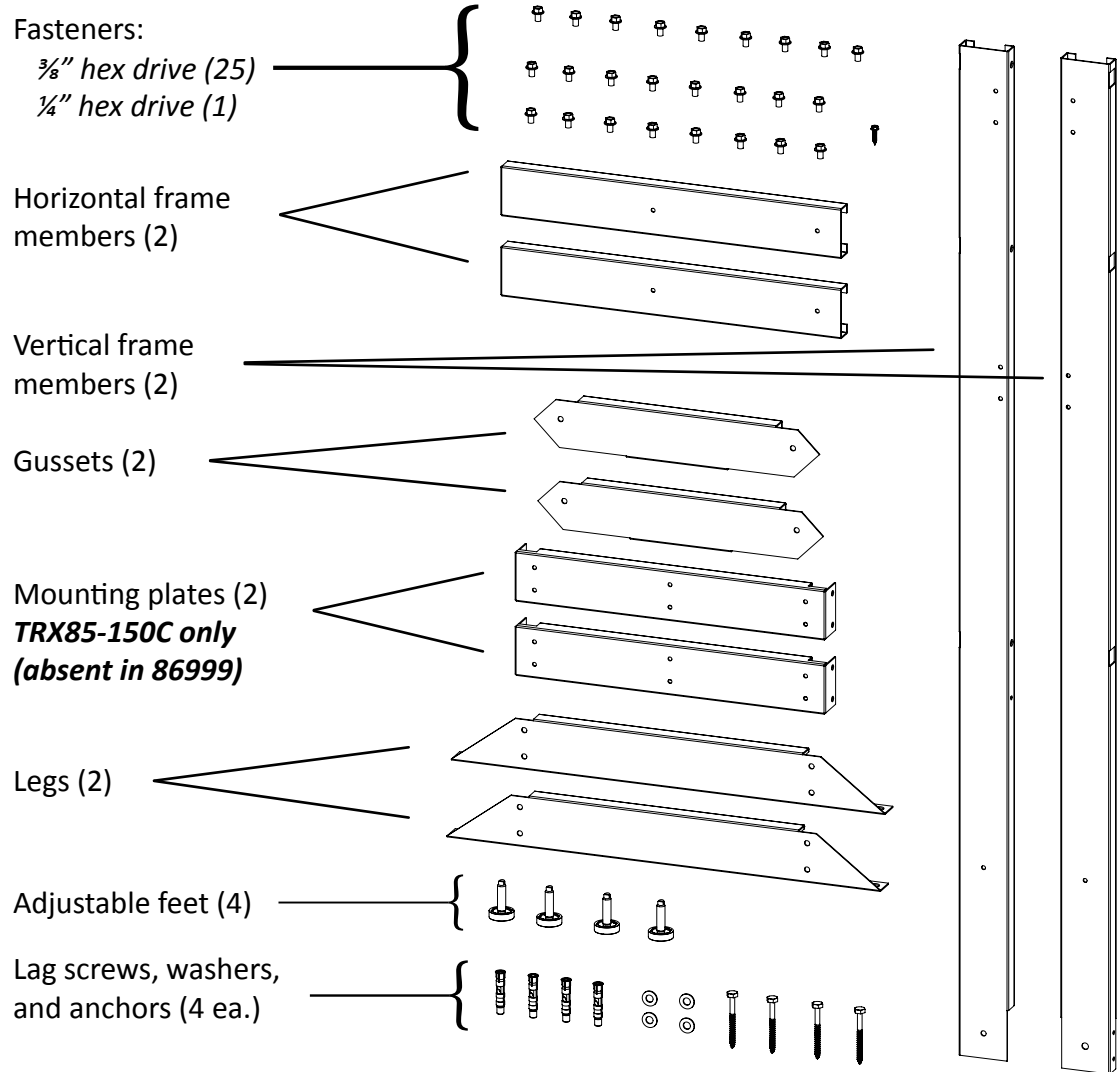
** S/N 2109222038157799
and later.
Will not fit earlier units.

- Easy to assemble – only two tools required: (1/4" & 3/8" nut drivers)
- Sturdy 16 ga galvanized steel construction
- Positions boiler at ideal height for installation and service
- Anti-topple mounting hardware included

2

Floor Stand – Assembly instructions

BEFORE ASSEMBLY — Verify contents:

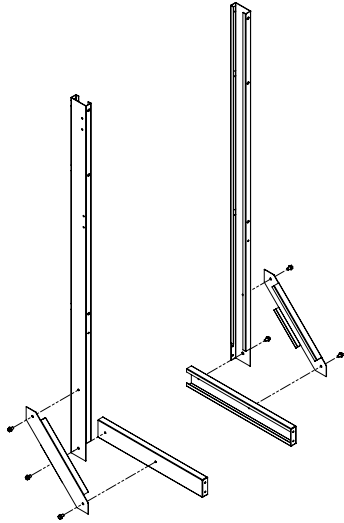


STEP 1 — Level legs using adjustable feet.

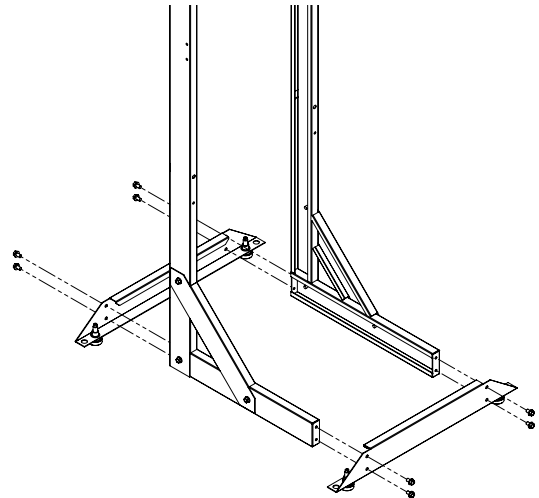
If fixing stand directly to floor:
use lag screws, washers, anchors,
and provided holes (4). Omit feet.



STEP 2 — Assemble left and right frame segments.

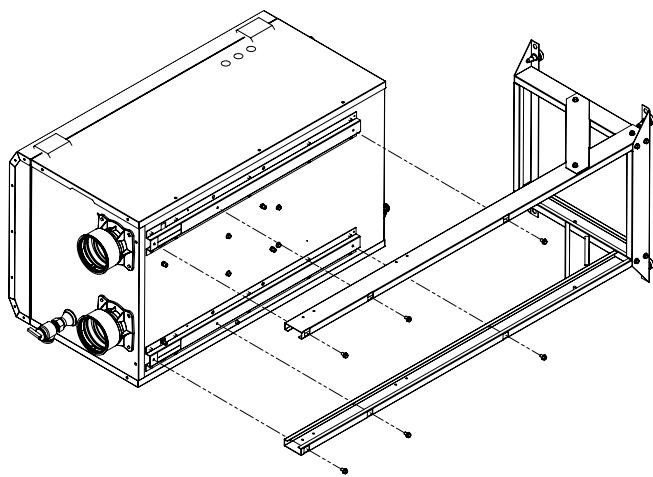


STEP 3 — Fasten legs to frame.



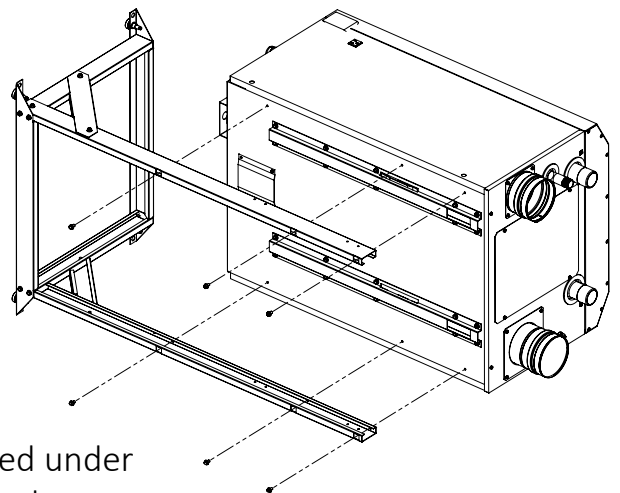
STEP 4 — TRX150, 199, 199C
FTVN085 – 199C
Tft60 – 285

Lay boiler and completed floor stand on their sides and fasten stand to boiler using holes in centre of rails.



STEP 4 — Tft340 – 399

Lay boiler and completed floor stand on their sides and fasten stand to boiler using holes outboard of rails.



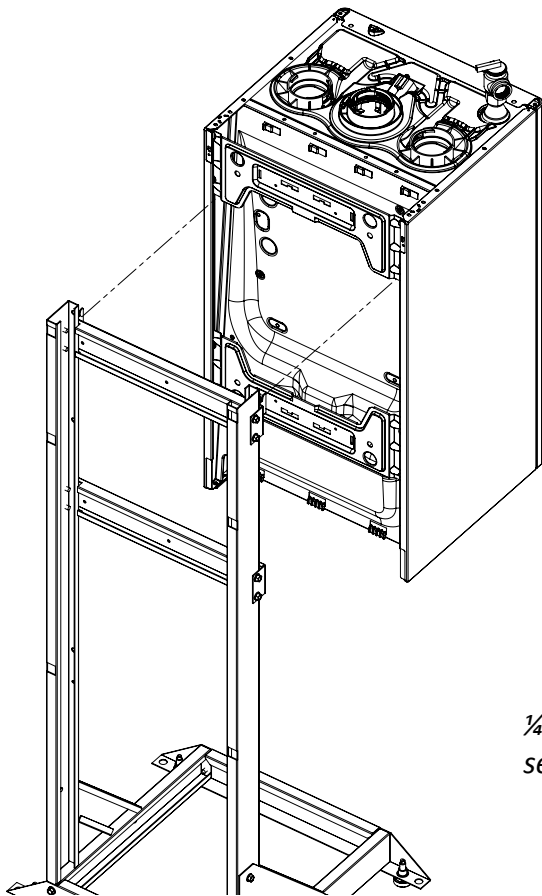
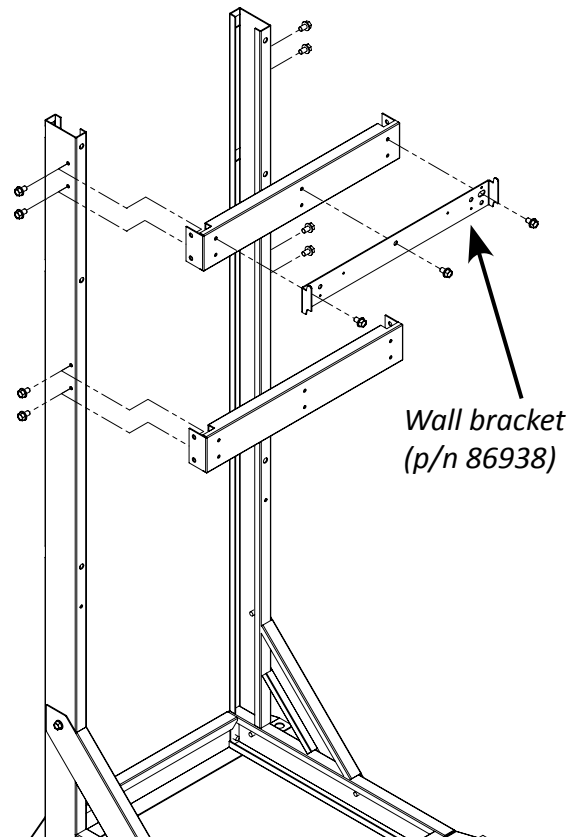
Note: a shim may be required under boiler to align screw holes.

4

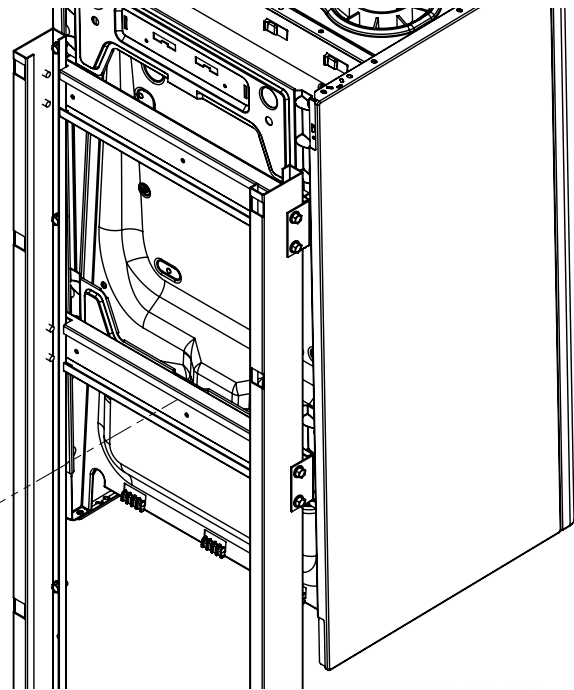
Floor Stand – Assembly instructions

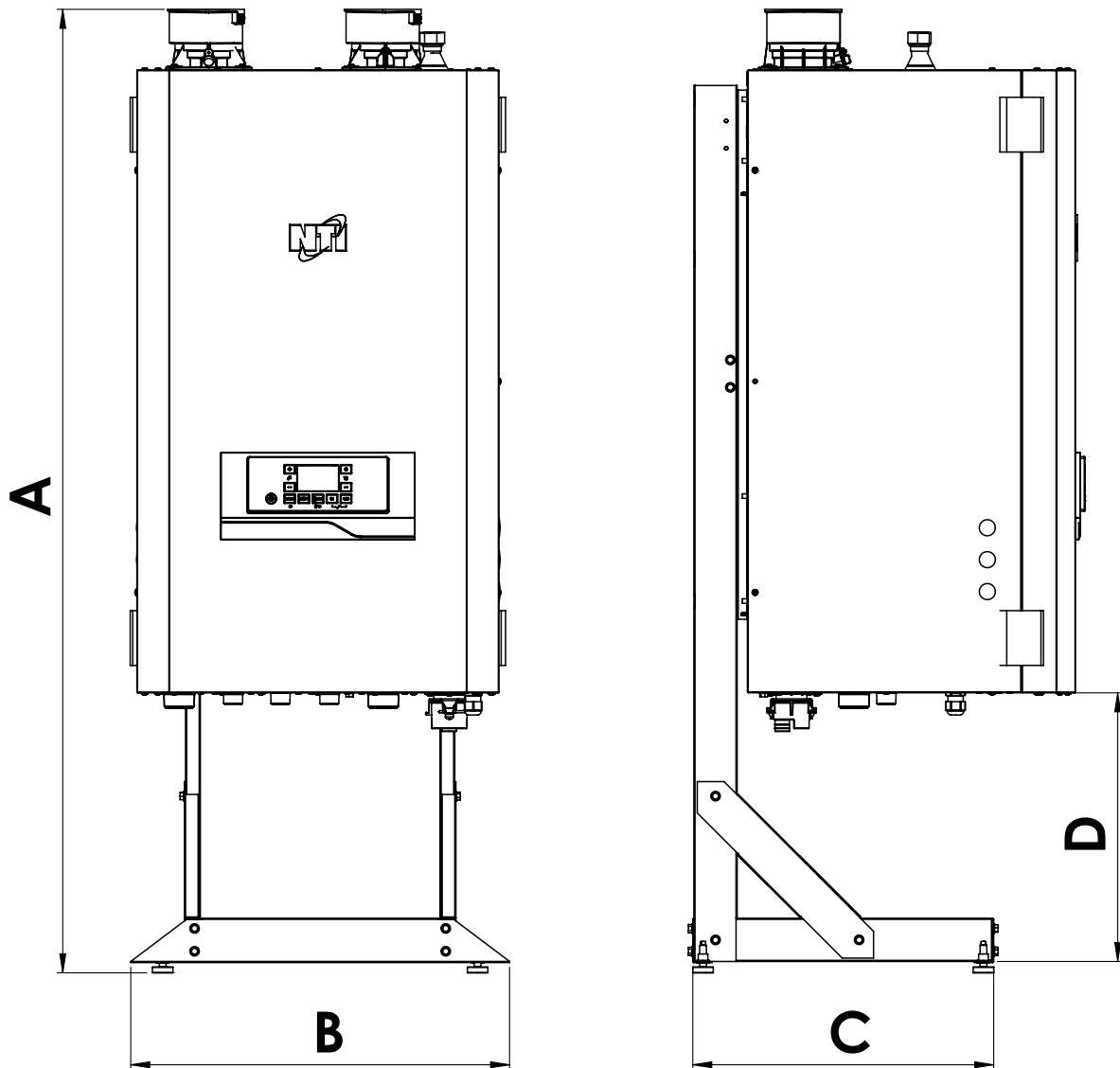
STEP 4 — TRX085, 110C, 120, 150C

- Fasten mounting plates to completed floor stand.
- Fasten wall bracket (p/n 86938; located inside the boiler box) to upper mounting plate.
- Hang boiler on wall bracket.
- Secure boiler with single screw through lower mounting plate.



1/4" hex drive self-drilling screw





Model	Dimensions (inches)			
	A	B	C	D
Tft60-110	53-7/8	20-3/4	16-1/2	15-5/8
Tft154	53-7/8	20-3/4	16-1/2	14-7/8
Tft201-285	52-5/8	20-3/4	16-1/2	14-7/8
Tft340-399	55-3/4	28-7/8	19-3/4	14-1/2
TRX085, TRX120, TRX110C and TRX150C	53-5/8	20-3/4	16-1/2	22-5/8
TRX150 and TRX199(C)	52-7/8	20-3/4	16-1/2	14-7/8
FTVN085-199(C)	52-7/8	20-3/4	16-1/2	14-7/8

