



# Parts Manual

LIVV09HP230V1AH  
LIVV09HP230V1AO  
LIVV12HP230V1AH  
LIVV12HP230V1AO  
LIVV18HP230V1AH  
LIVV18HP230V1AO  
LIVV24HP230V1AH  
LIVV24HP230V1AO  
LIVV30HP230V1AH  
LIVV30HP230V1AO  
LIVV36HP230V1AH  
LIVV36HP230V1AO

**GREE ELECTRIC APPLIANCES, INC. OF ZHUHAI**

## Table of Contents

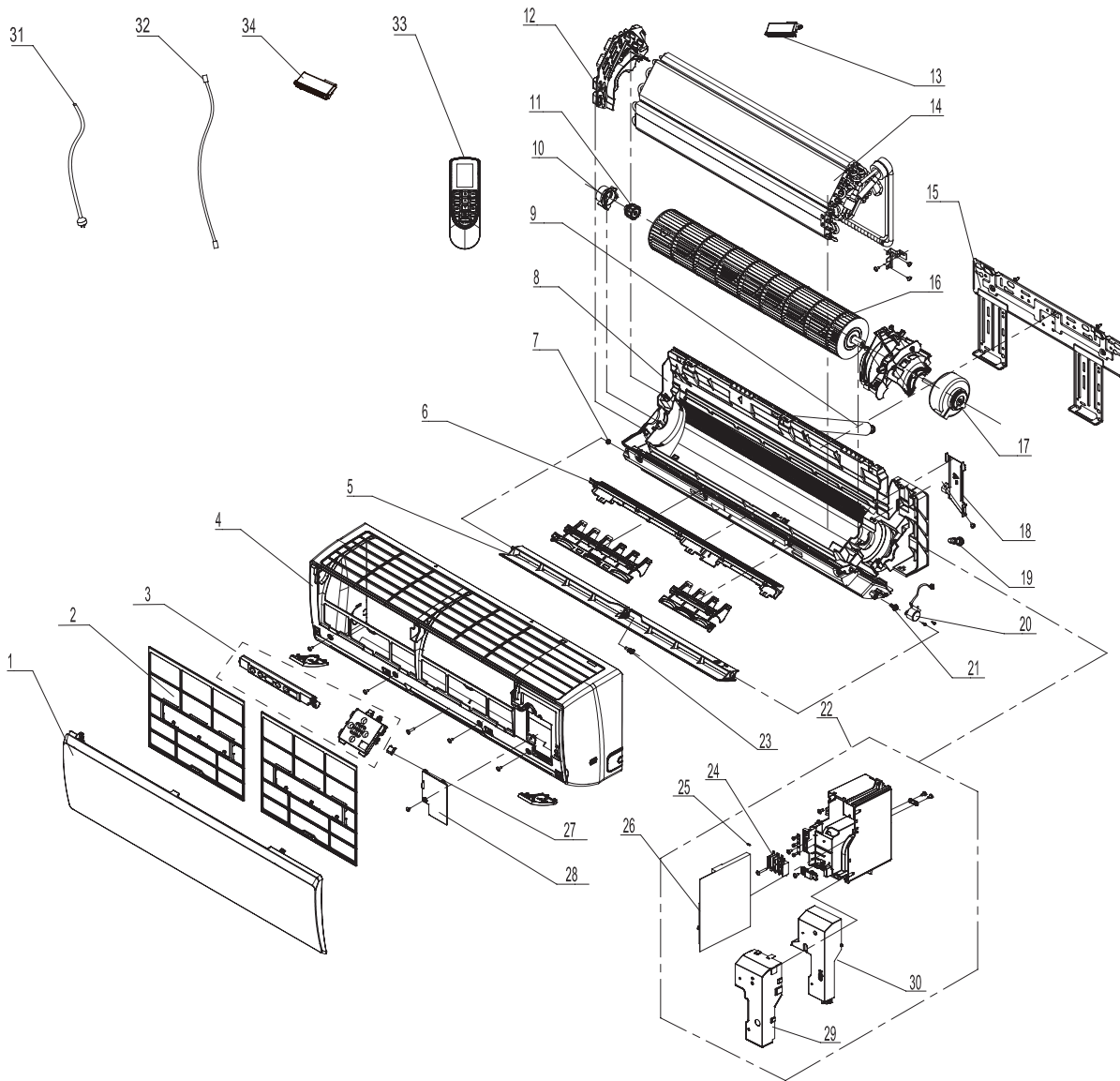
### **LIVO GEN3 Part Manual**

<b>EXPLODED VIEW LIVV09 &amp; LIVV12 AH Indoor Unit.....</b>	<b>1</b>
<b>PARTS LIST LIVV09 &amp; LIVV12 AH Indoor Unit.....</b>	<b>2</b>
<b>EXPLODED VIEW LIVV18 AH Indoor Unit.....</b>	<b>3</b>
<b>PARTS LIST LIVV18 AH Indoor Unit.....</b>	<b>4</b>
<b>EXPLODED VIEW LIVV24 AH Indoor Unit.....</b>	<b>5</b>
<b>PARTS LIST LIVV24 AH Indoor Unit.....</b>	<b>6</b>
<b>EXPLODED VIEW LIVV09 &amp; LIVV12 AO Outdoor Unit.....</b>	<b>7</b>
<b>PARTS LIST LIVV09 &amp; LIVV12 AO Outdoor Unit.....</b>	<b>8</b>
<b>EXPLODED VIEW LIVV18 &amp; LIVV24 AO Outdoor Unit.....</b>	<b>9</b>
<b>PARTS LIST LIVV18 &amp; LIVV24 AO Outdoor Unit.....</b>	<b>10</b>
<b>EXPLODED VIEW LIVV30 &amp; LIVV36 AH Indoor Unit.....</b>	<b>11</b>
<b>PARTS LIST LIVV30 AH Indoor Unit.....</b>	<b>12</b>
<b>PARTS LIST LIVV36 AH Indoor Unit.....</b>	<b>13</b>
<b>EXPLODED VIEW LIVV30 &amp; LIVV36 AO Indoor Unit.....</b>	<b>14</b>
<b>PARTS LIST LIVV30 AO Outdoor Unit.....</b>	<b>15</b>
<b>PARTS LIST LIVV36 AH Outdoor Unit.....</b>	<b>16</b>

# Exploded View and Parts List

## Indoor Unit

LIVV09HP230V1AH LIVV12HP230V1AH



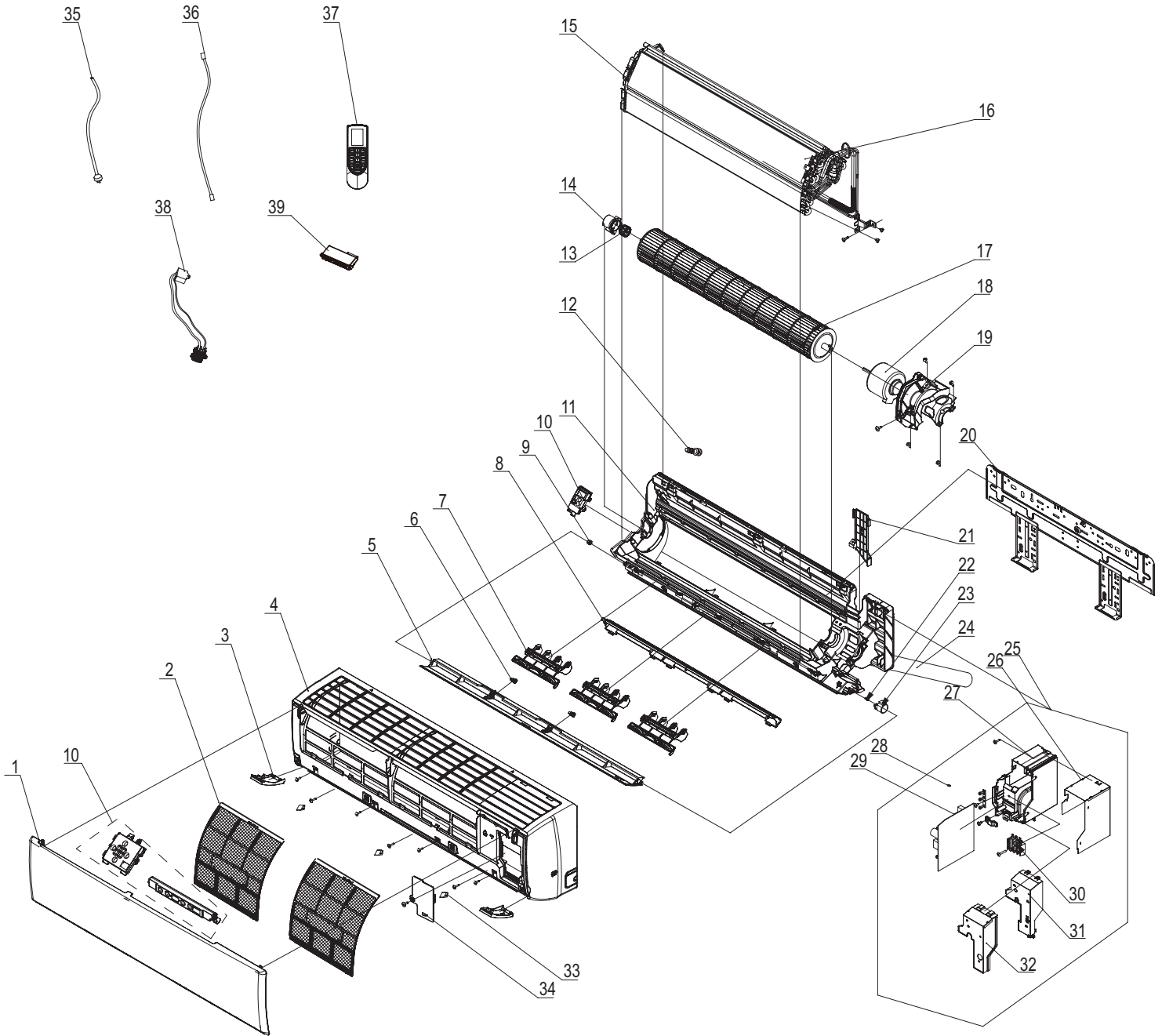
The component picture is only for reference; please refer to the actual product.

NO.	Description	Part Code		Qty
		LIVV09HP230V1AH	LIVV12HP23V1AH	
	Product Code	CB432N21800	CB432N22600	
1	Front Panel	20000300019S	20000300018S	1
2	Filter Sub-Assy	1112221905	1112246803	2
3	Display Board	30565260	30565260	1
4	Front Case Assy	00000200040	00000200045	1
5	Guide Louver	1051276301	1051293101	1
6	Helicoid Tongue	26112508	26112436	1
7	Left Axile Bush	10512037	10512037	1
8	Rear Case assy	00000100066	00000100093	1
9	Drainage Hose	0523001408	05230014	1
10	Ring of Bearing	26152022	26152022	1
11	O-Gasket sub-assy of Bearing	76512051	76512051	1
12	Evaporator Supper	24212180	24212179	1
13	Cold Plasma Generator	/	/	/
14	Evaporator Assy	01100100095	011001060162	1
15	Wall Mounting Frame	01252043	01252484	1
16	Cross Flow Fan	10352059	10352056	1
17	Fan Motor	1501208905	1501214607	1
18	Connecting pipe clamp	2611216401	2611216401	1
19	Rubber Plug (Water Tray)	76712012	76712012	1
20	Stepping Motor	1521212901	1521210710	1
21	Crank	73012005	73012005	1
22	Electric Box Assy	100002067733	100002067859	1
23	Axile Bush	10542036	10542036	1
24	Terminal Board	42011233	42011233	1
25	Jumper	4202021904	4202021917	1
26	Main Board	300002061160	300002061159	1
27	Screw Cover	2425203001	2425203001	1
28	Electric Box Cover Sub-Assy	0140206501	0140206501	1
29	Shield Cover of Electric Box Cover	01592150	01592150	1
30	Electric Box Cover	2011220701	2011220701	1
31	Power Cord	/	/	/
32	Connecting Cable	/	/	/
33	Remote Controller	305001060022	305001060022	1
34	Detecting plate(WIFI)	30070079	30070077	1

Above data is subject to change without notice.



LIVV18HP230V1AH

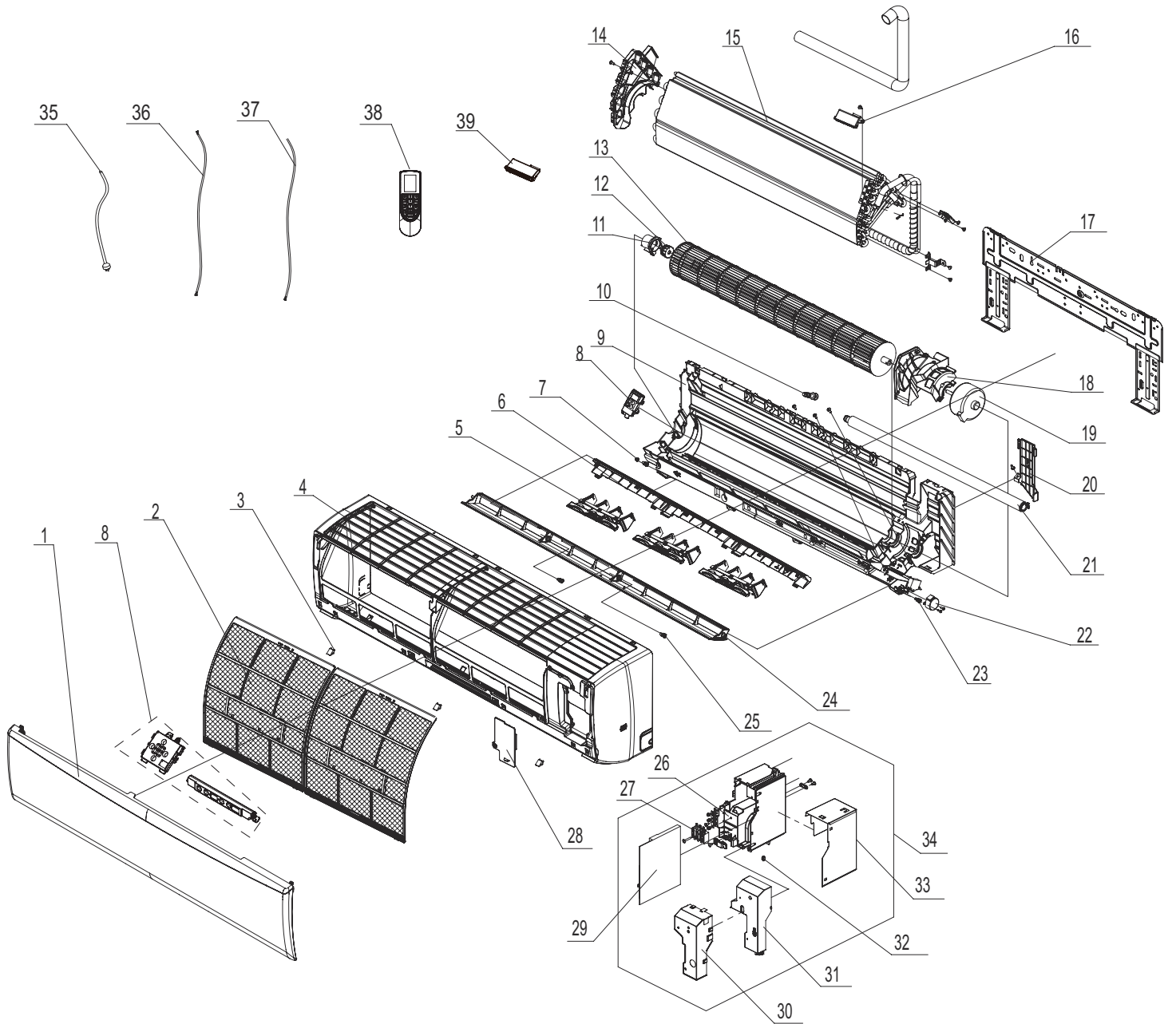


The component picture is only for reference; please refer to the actual product.

NO.	Description	Part Code	Qty
		LIVV18HP230V1AH	
	Product Code	CB432N22400	
1	Front Panel	20000300023S	1
2	Filter Sub-Assy	1112208906	2
3	Decoration board(left and right)	20192662	1
4	Front Case	2002248401	1
5	Guide Louver	1051276501	1
6	Axile Bush	10542036	2
7	Air Louver(Manual)	10512732	3
8	Helicoid Tongue	26112512	1
9	Left Axile Bush	10512037	1
10	Display Board	30565260	1
11	Rear Case assy	22202571	1
12	Rubber Plug (Water Tray)	76712012	1
13	O-Gasket sub-assy of Bearing	76512051	1
14	O-Gasket of Cross Fan Bearing	76512203	1
15	Evaporator Support	24212177	1
16	Evaporator Assy	011001000207	1
17	Cross Flow Fan	10352060	1
18	Fan Motor	1501214503	1
19	Motor Press Plate	26112511	1
20	Wall Mounting Frame	01362026	1
21	Connecting pipe clamp	2611218801	1
22	Crank	73012005	1
23	Stepping Motor	1521240212	1
24	Drainage Hose	05230014	1
25	Electric Box Assy	100002067907	1
26	Lower Shield of Electric Box	01592139	1
27	Electric Box	2011221105	1
28	Jumper	4202021919	1
29	Main Board	300002061157	1
30	Terminal Board	42011233	1
31	Electric Box Cover	2011220901	1
32	Shield Cover of Electric Box	01592176	1
33	Screw Cover	2425201726	3
34	Electric Box Cover2	2011221001	1
35	Power Cord	/	/
36	Connecting Cable	/	/
37	Remote Controller	305001060022	1
38	Cold Plasma Generator	/	/
39	Detecting plate(WIFI)	30070077	1

Above data is subject to change without notice.

LIVV24HP230V1AH



The component picture is only for reference; please refer to the actual product.

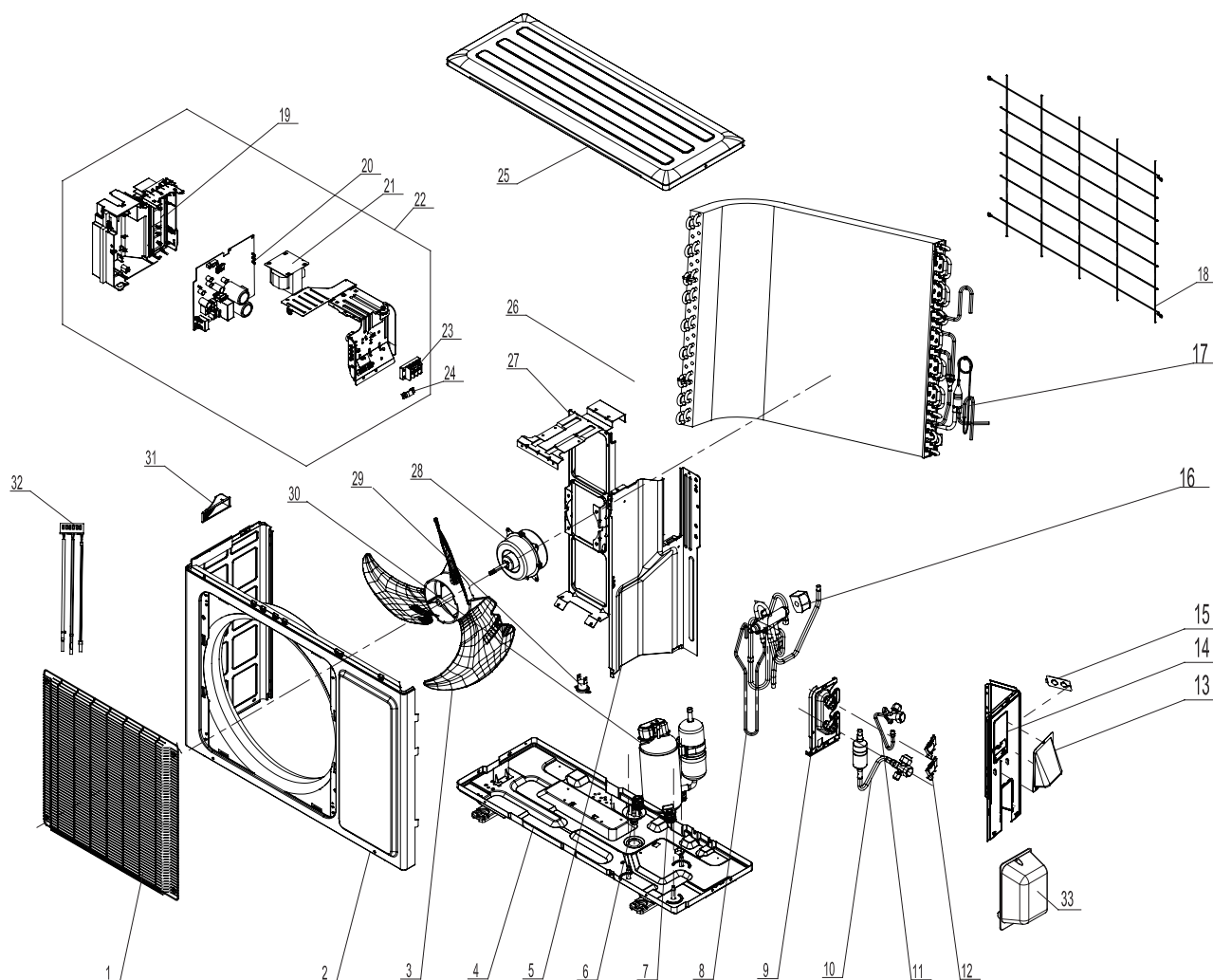
No.	Description	Part Code	Qty
		LIVV24HP230V1AH	
	Product Code	CB432N21500	
1	Front Panel	20000300016S	1
2	Filter Sub-Assy	11012007	2
3	Screw Cover	2425245301	3
4	Front Case	2002248603	1
5	Air Louver(Manual)	10512737	3
6	Helicoid Tongue	26112513	1
7	Left Axile Bush	10512037	1
8	Display Board	30565260	1
9	Rear Case assy	22202570	1
10	Rubber Plug (Water Tray)	76712012	1
11	Ring of Bearing	26152025	1
12	O-Gasket sub-assy of Bearing	76512051	1
13	Cross Flow Fan	10352057	1
14	Evaporator Support	24212178	1
15	Evaporator Assy	01100100007306	1
16	Cold Plasma Generator	/	/
17	Wall Mounting Frame	01252229	1
18	Motor Press Plate	26112515	1
19	Fan Motor	1501214501	1
20	Connecting pipe clamp	26112514	1
21	Drainage Hose	0523001405	1
22	Stepping Motor	1521240212	1
23	Crank	73012005	1
24	Guide Louver	1051232001	1
25	Axile Bush	10542036	2
26	Electric Box	2011221105	1
27	Terminal Board	42011233	1
28	Electric Box Cover2	2011221001	1
29	Main Board	300002061155	1
30	Shield Cover of Electric Box	01592176	1
31	Electric Box Cover	2011220901	1
32	Jumper	4202021924	1
33	Lower Shield of Electric Box	01592139	1
34	Electric Box Assy	100002067802	1
35	Power Cord	/	/
36	Connecting Cable	/	/
37	Temperature Sensor	3900031302	1
38	Remote Controller	305001060022	1
39	Detecting plate(WIFI)	30070077	1

Above data is subject to change without notice.

# Exploded View and Parts List

## Outdoor Unit

LIVV09HP230V1AO LIVV12HP230V1AO

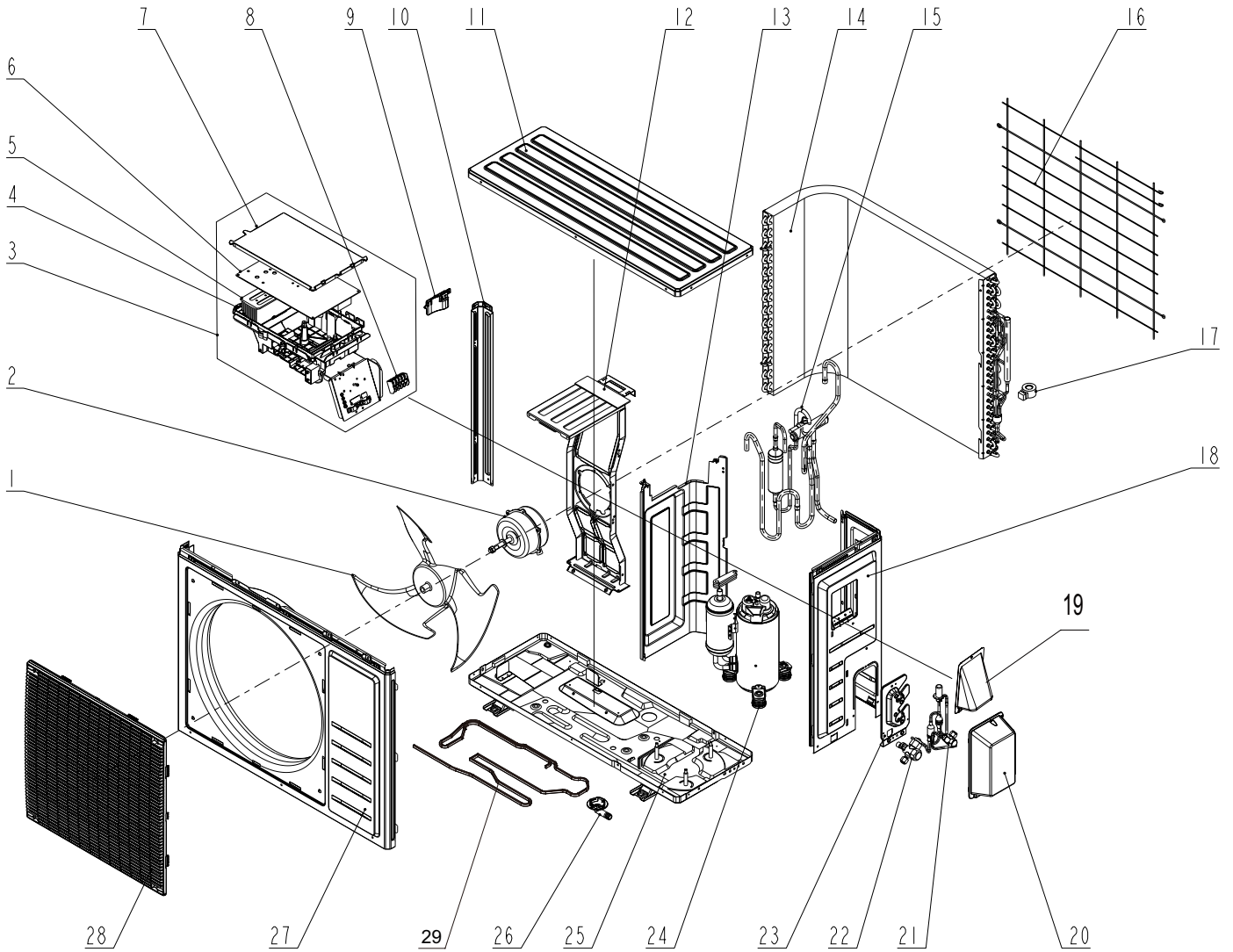


The component picture is only for reference; please refer to the actual product.

NO.	Description	Part Code		Qty
		LIVV09HP230V1AO	LIVV12HP230V1AO	
		Product Code	Product Code	
		CB432W21800	CB432W22600	
1	Front Grill	01473012	01473012	1
2	Front Panel Assy	0153304804	0153304804	1
3	Axial Flow Fan	10333004	10333004	1
4	Chassis Sub-assy	01700006009601P	01700006009601P	1
5	Clapboard Sub-Assy	0123338502	0123338502	1
6	Drainage Connector	06123401	06123401	1
7	Compressor Gasket	009012000027	009012000027	3
8	4-Way Valve Assy	030152060087	030152060393	1
9	Valve Support	0171314201P	0171314201P	1
10	Cut off Valve Assy	07133691	07133474	1
11	Valve	07100003	07133082	1
12	Valve Support Block	26113017	26113017	2
13	Cover of Pass Wire	01413069	01413069	1
14	Right Side Plate Assy	0130307003	0130307003	1
15	Cable Cross Plate 2	02123014P	02123014P	1
16	Magnet Coil	4300040050	4300040050	1
17	Capillary Sub-assy	030006060692	030006060709	1
18	Rear Grill	01473009	01473009	1
19	Electric Box	20113033	2011303401	1
20	Main Board	300027060985	300027060987	1
21	Reactor	/	43130184	/
22	Electric Box Assy	100002067452	100002067860	1
23	Terminal Board	422000060016	422000060016	1
24	Wire Clamp	71010003	71010003	1
25	Top Cover Sub-Assy	01253108P	01253108P	1
26	Condenser Assy	011002060964	011002060992	1
27	Motor Support	01703104	01703104	1
28	Fan Motor	1501308511	1501308511	1
29	Compressor Overload Protector(External)	00183031	00183031	1
30	Compressor and Fittings	009001060050	009001060066	1
31	Small Handle	26233100	26233100	1
32	Temperature Sensor	3900030805	3900030805	1
33	valve cover	2012300101	2012300101	1

Above data is subject to change without notice.

LIVV18HP230V1AO LIVV24HP230V1AO



The component picture is only for reference; please refer to the actual product.

No.	Description	Part Code		Qty
		LIVV18HP230V1AO	LIVV24HP230V1AO	
	Product Code	CB432W22400	CB432W21500	
1	Axial Flow Fan	10333023	10333023	1
2	Fan Motor	1501506406	1501506406	1
3	Electric Box Assy	100002068263	100002067147	1
4	Electric Box	2011302701	20113027	1
5	Radiator	49013060	49013060	1
6	Main Board	300027061023	300027060877	1
7	Electric Box Cover	2012302801	20123028	1
8	Terminal Board	42200006001401	42200006001401	1
9	Handle	26233014	26233014	1
10	Left Side Plate	01303025	01303025	1
11	Coping	01253105	01253105	1
12	Motor Support	01703245	01703245	1
13	Clapboard Sub-Assy	017021000063	017021000063	1
14	Condenser Assy	011002061040	01100206086201	1
15	4-Way Valve Assy	030152060463	030152060381	1
16	Rear Grill	016001000023	016001000023	1
17	Electric Expand Valve Fitting	07200206002231	4300034419	1
18	Right Side Plate-Assy	00008100002102	00008100002101	1
19	Handle	26233014	26233014	1
20	Valve Cover	22243015	22243015	1
21	Cut-off valve	071302392	07133844	1
22	Electronic Expansion Valve assy	030026060573	43005016	1
23	Valve Support Block	26113017	26113017	1
24	Compressor and Fittings	00105249G	009001060387	1
25	Chassis	012008060074	012008060074	1
26	Drainage Joint	26113017	26113009	1
27	Cabinet	0143307201	0143307201	1
28	Front Grill	01473008	01473008	1
29	Electric Heater	320004060086	320004060086	1

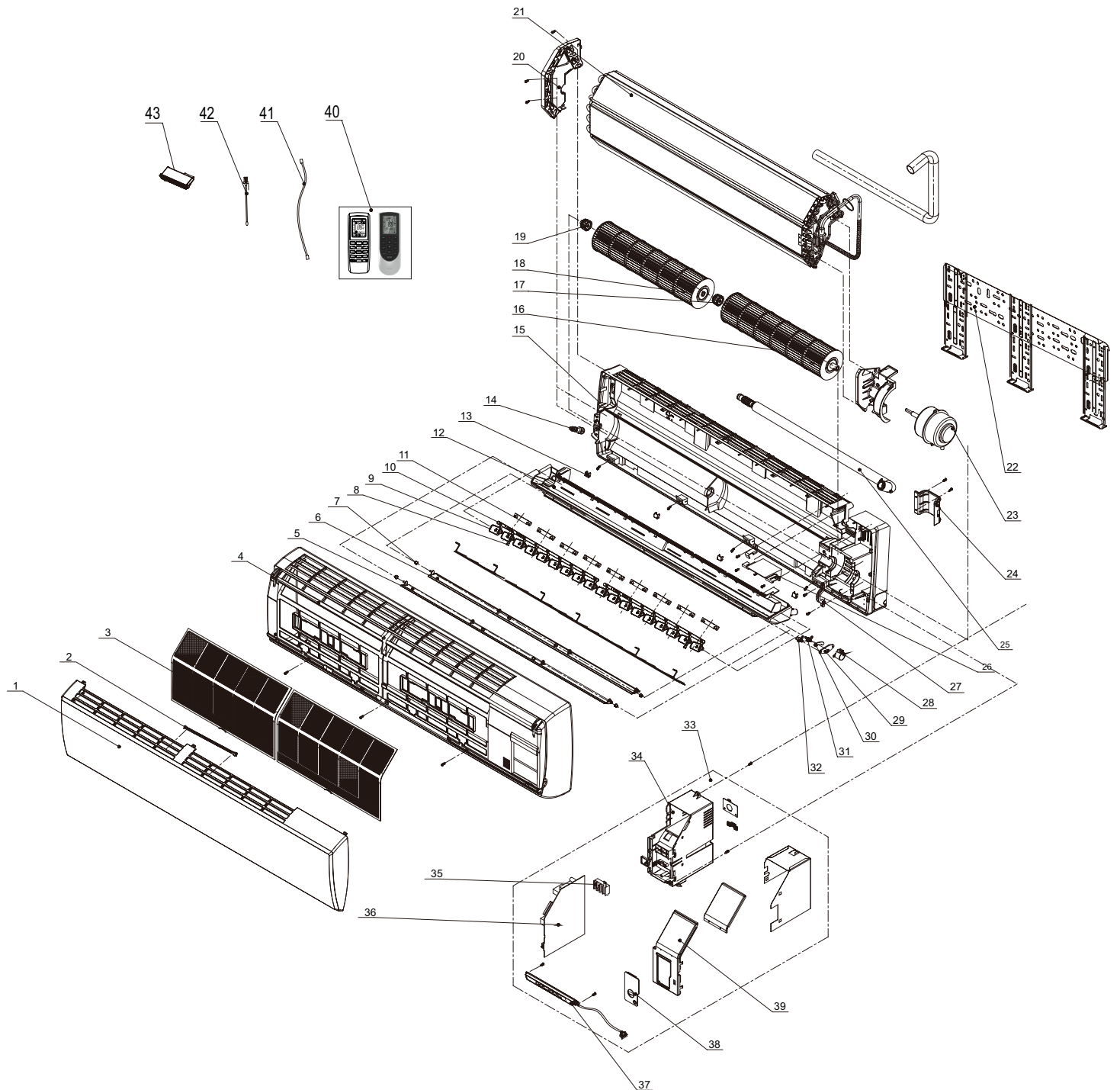
Above data is subject to change without notice.



# 10. Exploded View and Parts List

## 10.1 Indoor Unit

LIVV30HP230V1AH LIVV36HP230V1AH



The component picture is only for reference; please refer to the actual product.

NO.	Description	Part Code	Qty
		LIVV30HP230V1AH	
		Product Code	
		CB432N22100	
1	Front Panel	20000300022S	1
2	Stand Bar	2421212001	1
3	Filter Sub-Assy	1112210602	2
4	Front Case Sub-assy	20900700005	1
5	Upper Guide Louver	1051216601	1
6	Lower Guide Louver	1051216701	1
7	Axile Bush	10542704	6
8	Air Louver 2	1051216902	2
9	Air Louver 1	1051216802	16
10	Connecting Rod	10582086	2
11	Louver Clamp	26112158	9
12	Water Tray	2018213802	1
13	Screw Cover	2425200506	4
14	Rubber Plug (Water Tray)	76712012	1
15	Rear Case assy	00000100113	1
16	Cross Flow Fan 1	10352040	1
17	Bearing Holder Sub-assy	26152028	1
18	Cross Flow Fan 2	10352039	1
19	O-Gasket sub-assy of Bearing	76512051	1
20	Left Evaporator Support	24212041	1
21	Evaporator Assy	01100100299	1
22	Wall Mounting Frame	01252398	1
23	Fan Motor	1501213401	1
24	Pipe Clamp	26112071	1
25	Drainage Hose	0523001404	1
26	Cover Plate	2012212402	1
27	Motor Fixed Clip 1	26112324	1
28	SteppingMotor	1521210701	1
29	Press Plate(Crank)	26112070	1
30	Crank-guide	10582041	1
31	Upper Crank	10562004	1
32	Lower crank	10562005	1
33	Electric Box Assy	100002003292	1
34	Electric Box	2010225006	1
35	Terminal Board	42011233	1
36	Main Board	30138001017	1
37	Display Board	30565277	1
38	Electric Box Cover	2011204404S	1
39	Electric Box Cover	201022523	1
40	Remote Controller	305001000085	1
41	Temperature Sensor	390000453	1
42	Temperature Sensor	390000592	1
43	Detecting plate(WIFI)	30070077	1

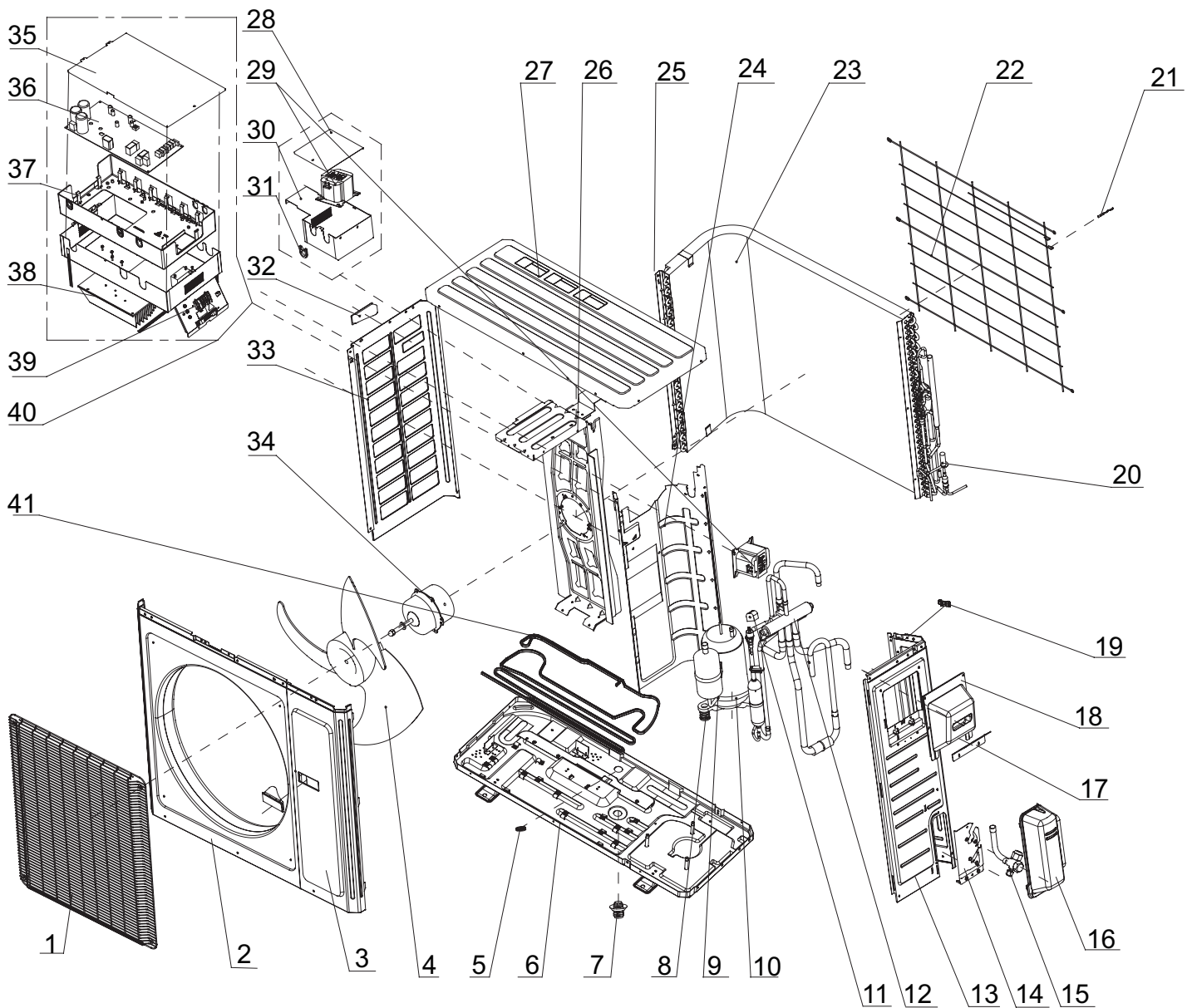
Above data is subject to change without notice.

NO.	Description	Part Code	Qty
		LIVV36HP230V1AH	
		Product Code	
		CB432N23000	
1	Front Panel	20000300022S	1
2	Stand Bar	2421212001	1
3	Filter Sub-Assy	1112210602	2
4	Front Case Sub-assy	20900700005	1
5	Upper Guide Louver	1051216601	1
6	Lower Guide Louver	1051216701	1
7	Axile Bush	10542704	6
8	Air Louver 2	1051216902	2
9	Air Louver 1	1051216802	16
10	Connecting Rod	10582086	2
11	Louver Clamp	26112158	9
12	Water Tray	2018213802	1
13	Screw Cover	2425200506	4
14	Rubber Plug (Water Tray)	76712012	1
15	Rear Case assy	00000100113	1
16	Cross Flow Fan 1	10352040	1
17	Bearing Holder Sub-assy	26152028	1
18	Cross Flow Fan 2	10352039	1
19	O-Gasket sub-assy of Bearing	76512051	1
20	Left Evaporator Support	24212041	1
21	Evaporator Assy	0110010029901	1
22	Wall Mounting Frame	01252398	1
23	Fan Motor	1501213401	1
24	Pipe Clamp	26112071	1
25	Drainage Hose	0523001404	1
26	Cover Plate	2012212402	1
27	Motor Fixed Clip 1	26112324	1
28	SteppingMotor	1521210701	1
29	Press Plate(Crank)	26112070	1
30	Crank-guide	10582041	1
31	Upper Crank	10562004	1
32	Lower crank	10562005	1
33	Electric Box Assy	100002003292	1
34	Electric Box	2010225006	1
35	Terminal Board	42011233	1
36	Main Board	30138001017	1
37	Display Board	30565277	1
38	Electric Box Cover	2011204404S	1
39	Electric Box Cover	201022523	1
40	Remote Controller	305001000085	1
41	Temperature Sensor	390000453	1
42	Temperature Sensor	390000592	1
43	Detecting plate(WIFI)	30070077	1

Above data is subject to change without notice.

## 10.2 Outdoor Unit

LIVV30HP230V1AO LIVV36HP230V1AO




The component picture is only for reference; please refer to the actual product.

NO.	Description	Part Code	Qty
		LIVV30HP230V1AO	
	Product Code	CB432W22100	
1	Front Grill	016004060005	1
2	Cabinet	0143500401P	1
3	Front Side Plate	01303249P	1
4	Axial Flow Fan	10335014	1
5	Drainage Plug	/	1
6	Chassis Sub-assy	017000060476	1
7	Drainage Connector	/	1
8	Compressor Gasket	009012000004	3
9	Compressor and fittings	00900100019501	1
10	Electrical heater	/	1
11	Magnet Coil	4300040045	1
12	4-way Valve Assy	030152000329	1
13	Right Side Plate	0130504402P	1
14	Valve Support Sub-Assy	0171501201P	1
15	Cut-off Valve	07130239	1
16	Valve cover	22245003	1
17	Retaining plate	02115006P	1
18	Handle assy	02113109	1
19	Wiring clamp	26115004	1
20	Electronic expansion valve Sub-Assy	030174060043	1
21	Temperature Sensor	3900030901	1
22	Rear Grill	01475013	1
23	Condenser Assy	01100200162	1
24	Clapboard	01235089	1
25	Condenser support plate	01175092	1
26	Motor Support Sub-Assy	017012000017	1
27	Top Cover Sub-Assy	000051060049	1
28	Electric Box Cover	20125002	1
29	Reactor	/	2
30	Electric Box Sub-Assy	20115003	1
31	Pass wire ring sub-assy	/	2
32	left handle	02113031	1
33	Left Side Plate	01305043P	1
34	Fan Motor	15010400000102	1
35	Electric Box Cover	20125002	1
36	Main Board	300027060960	1
37	Electric Box	20115003	1
38	Radiator	4901521502	1
39	Terminal Board	42200006001401	1
40	Electric Box Assy	100002067584	1
41	Electrical Heater (Chassis)	/	1

Above data is subject to change without notice.

NO.	Description	Part Code	Qty
		LIVV36HP230V1AO	
Product Code		CB432W23000	
1	Front Grill	016004060005	1
2	Cabinet	0143500401P	1
3	Front Side Plate	01303249P	1
4	Axial Flow Fan	10335014	1
5	Drainage Plug	/	1
6	Chassis Sub-assy	017000060476	1
7	Drainage Connector	/	1
8	Compressor Gasket	009012000004	3
9	Compressor and fittings	00900100019501	1
10	Electrical heater	/	1
11	Magnet Coil	4300040045	1
12	4-way Valve Assy	030152000329	1
13	Right Side Plate	0130504402P	1
14	Valve Support Sub-Assy	0171501201P	1
15	Cut-off Valve	07133157	1
16	Valve cover	22245003	1
17	Retaining plate	02115006P	1
18	Handle assy	02113109	1
19	Wiring clamp	26115004	1
20	Electronic expansion valve Sub-Assy	030174060043	1
21	Temperature Sensor	3900030901	1
22	Rear Grill	01475013	1
23	Condenser Assy	011002061052	1
24	Clapboard	01175092	1
25	Condenser support plate	01175092	1
26	Motor Support Sub-Assy	017012000017	1
27	Top Cover Sub-Assy	000051060049	1
28	Electric Box Cover	20125002	1
29	Reactor	/	2
30	Electric Box Sub-Assy	100002068354	1
31	Pass wire ring sub-assy	/	2
32	left handle	02113031	1
33	Left Side Plate	01305043	1
34	Fan Motor	15010400000102	1
35	Electric Box Cover	20125002	1
36	Main Board	300027060993	1
37	Electric Box	20115003	1
38	Radiator	4901521502	1
39	Terminal Board	42200006001401	1
40	Electric Box Assy	100002068354	1
41	Electrical Heater (Chassis)	/	1

Above data is subject to change without notice.



JF00302748

Cat no: GREE\_LIVO GEN3\_PARTS\_09-36K\_04012020



**GREE ELECTRIC APPLIANCES, INC. OF ZHUHAI**

Add: West Jinji Rd, Qianshan, Zhuhai, Guangdong, China, 519070

Tel: (+86-756) 8522218

Fax: (+86-756) 8669426

E-mail: [gree@gree.com.cn](mailto:gree@gree.com.cn) [www.gree.com](http://www.gree.com)

**HONG KONG GREE ELECTRIC APPLIANCES SALES LIMITED**

Add: Unit 2612, 26/F., Miramar Tower 132 Nathan Road, TST, Kowloon, HK

Tel: (852) 31658898 Fax: (852) 31651029

**For product improvement, specifications and appearance in this manual are subject to change without prior notice.**