

Submittal Data: LIVV18HP230V1A 18000 BTU/H (208/230V) Wall Mounted Heat Pump System

Job Name	Location	Date
Purchaser	Engineer	
Submitted To	For	<input type="checkbox"/> Reference <input type="checkbox"/> Approval <input type="checkbox"/> Construction
Unit Designation	Schedule No.	

- GENERAL FEATURES**
- High Efficiency DC Inverter Technology
 - Compact and Quiet Design
 - Wireless Remote with LCD Display
 - Wi-Fi Ready (Kit Sold Separately) WSBE04
 - XE71 Wired Controller (Sold Separately)
 - Low Ambient Cool to 0° F
 - Heating down to -4°F
 - Blue Fin Condenser Coil
 - 5 year Limited Parts Warranty


System Ratings

Cooling			
Rated Capacity	Btu/hr		17400
Capacity Range	Btu/hr		4094 - 20000
Power Input (Max)	W		2300
SEER			16
EER			8.5
Heating at 47° F			
Rated Capacity	Btu/hr		18000
Capacity Range	Btu/hr		4100 - 21000
Power Input (Max)	W		2400
HSPF			9
COP			3
Heating at 17° F			
Rated Capacity	Btu/hr		10300
Operating Range			
Cooling	(Max)	115	(46 C)
	(Min)	0	(-18 C)
Heating	(Max)	75	(24 C)
	(Min)	-4	(-20 C)

Indoor Unit Data

Fan Motor	Type	Cross-Flow
	Output Power	W 60
	FLA	A 0.4
Airflow		
Turbo / Hi / Med / Lo	CFM	471 / 412 / 383 / 335
Sound Pressure Level		
Turbo / Hi / Med / Lo	Clg dB(A)	47 / 44 / 40 / 35
	Htg dB(A)	46 / 44 / 40 / 35
Dehumidification		
	Pints/hr	3.8

Outdoor Unit Data

Compressor	Type	DC Inverter Driven Rotary
	RLA	A 10.2
Refrigerant Type		R410A
Fan Motor	Output Power	W 60
	FLA	A 0.7

Sound Pressure Level		
Cooling/Heating	dB(A)	56

Electrical Data

Power Supply		
Normal Operational Voltage		208/230 V, 1 Ph, 60 Hz
Voltage Range	V	187 - 253
MCA	A	15
MOCP/Breaker Size	A	20
Main Power Wire Size		14-2 AWG

Refrigerant Piping Data

Gas Pipe Size (OD) Flared	in	1/2
Liquid Pipe Size (OD) Flared	in	1/4
Connection Method		Flared
Factory Charge		42.3 oz
Additional Charge		0.2 oz
Pre-Charge Length		25 ft
MAX Refrigerant Pipe Length		82 ft
MIN Refrigerant Pipe Length		10 ft
MAX Refrigerant Pipe Elevation		33 ft



SYSTEM FEATURES	
Inverter Type	G10
Ultra Low Frequency Torque Control	Yes
Power Factor Correction	Yes
Compressor Type	High Eff. Rotary
Refrigerant Type	R410A
Basepan With Electric Heater	YES
Compressor With Electric Heater	YES
Outdoor Fin Coating	Acrylic-Resin/Anti-Corrosive
Intelligent Defrosting	YES
Force Defrosting	YES
Intelligent Preheating	YES
Low Voltage Startup	YES
Memory/Power Failure Recovery	YES
Self Diagnosis	YES
Wired Controller Interface (XE71)	YES
Wi-Fi Interface Capable (Optional)	WSBEC04
Indoor Fan Type	Crossflow
Multi Fan Speeds	4 Speeds
Indoor Unit Display	YES
Advance Filter	Optional
Auxiliary Electrical Heater	NO
Ventilation (Outdoor Air)	NO

REMOTE CONTROLLER FUNCTIONS	
Auto Mode	YES
Auto Fan	YES
Manual Horizontal Swing	YES
Auto Swing (Vertical Auto Swing)	YES
Clock on Remote Controller	YES
Dry Mode	YES
Dry Anti-Mildew (X-Fan) Mode	YES
Energy Saving Mode	YES
Dirty Filter Alert	NO
I Feel Function	YES
Lock on Remote Controller	YES
Quiet Mode	NO
Room Temperature Display	YES
Sleep Mode	YES
Timer Mode	YES
Turbo Mode	YES
Display On/Off Control	YES
Freeze Guard Mode (46 °F)	YES
Display On/Off Control	YES

EXTENDED RATINGS
LIVV18HP230V1A
COOLING PERFORMANCE (BtuH)*

Outdoor Ambient Temperature (DB)	Indoor Entering Air Temperatures					
	68°F DB		73°F DB		80°F DB	
	57°F FWB		61°F FWB		67°F FWB	
	TC	SHC	TC	SHC	TC	SHC
0°F	5916	4289	7308	5298	8700	6308
5°F	6786	4954	8178	5970	9570	6986
17°F	7656	5627	9048	6650	10440	7673
23°F	8004	5923	9396	6953	10788	7983
32°F	8352	6222	9744	7259	11136	8296
41°F	9396	7047	10788	8091	12180	9135
50°F	10440	7882	11832	8933	13224	9984
57°F	11136	8463	12528	9521	13920	10579
67°F	11658	8918	13050	9983	14442	11048
75°F	14616	11254	16008	12326	17400	13398
86°F	16182	12541	17574	13620	18966	14699
95°F	14616	11401	16008	12486	17400	13572
104°F	12876	10108	14268	11200	15660	12293
113°F	11832	9347	13224	10447	14616	11547
122°F	10092	8023	11484	9130	12876	10236

HEATING PERFORMANCE (BtuH)*

Outdoor Ambient Temperature (DB)	Indoor Entering Air Temperatures								
	68°F DB			70°F DB			80°F DB		
	57°F FWB			60°F FWB			67°F FWB		
	TC	Power Input (KW)	COP	TC	Power Input (KW)	COP	TC	Power Input (KW)	COP
-5°F	8280	1408	1.72	8640	1436	1.76	9000	1465	1.80
0°F	9540	1436	1.95	9900	1466	1.98	10260	1495	2.01
5°F	10080	1466	2.02	10440	1496	2.05	10800	1526	2.07
10°F	10440	1496	2.05	10800	1526	2.07	11160	1557	2.10
17°F	11640	1526	2.24	12000	1557	2.26	12360	1588	2.28
19°F	12240	1557	2.30	12600	1589	2.32	12960	1621	2.34
24°F	14040	1589	2.59	14400	1622	2.60	14760	1654	2.62
32°F	15480	1622	2.80	15840	1655	2.81	16200	1688	2.81
41°F	16740	1655	2.97	17100	1688	2.97	17460	1722	2.97
43°F	17280	1688	3.00	17640	1723	3.00	18000	1757	3.00
47°F	17640	1723	3.00	18000	1758	3.00	18360	1793	3.00
53°F	17820	1775	2.94	18180	1811	2.94	18540	1847	2.94
59°F	18000	1828	2.89	18360	1865	2.89	18720	1902	2.88
64°F	18540	1883	2.89	18900	1921	2.88	19260	1959	2.88
70°F	19080	1939	2.88	19440	1979	2.88	19800	2018	2.88
75°F	19620	1997	2.88	19980	2038	2.87	20340	2079	2.87
78°F	20340	2057	2.90	20700	2099	2.89	21060	2141	2.88

* Maximum system capacity

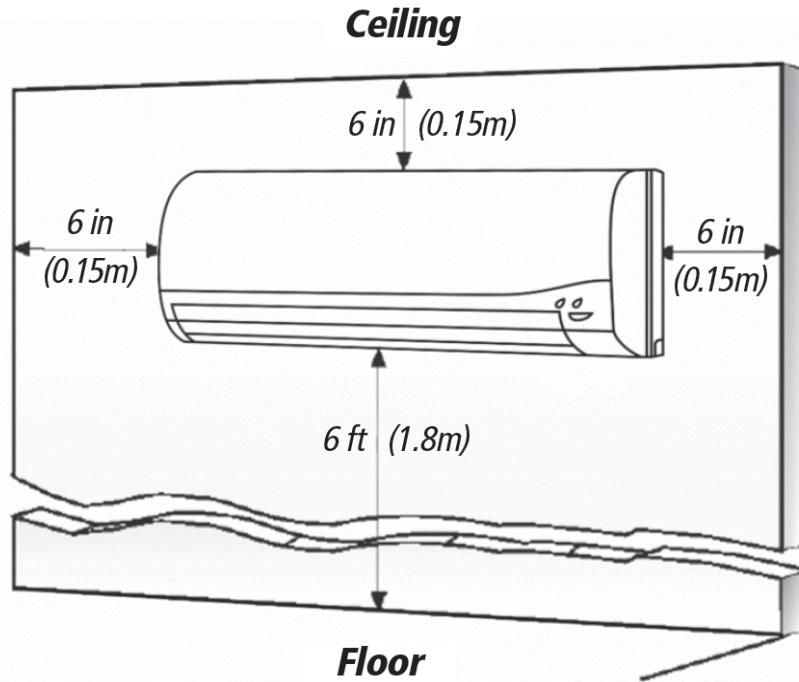
TC- Total Capacity (BtuH)

COP- Coefficient of Performance

MINIMUM SPACING REQUIREMENTS

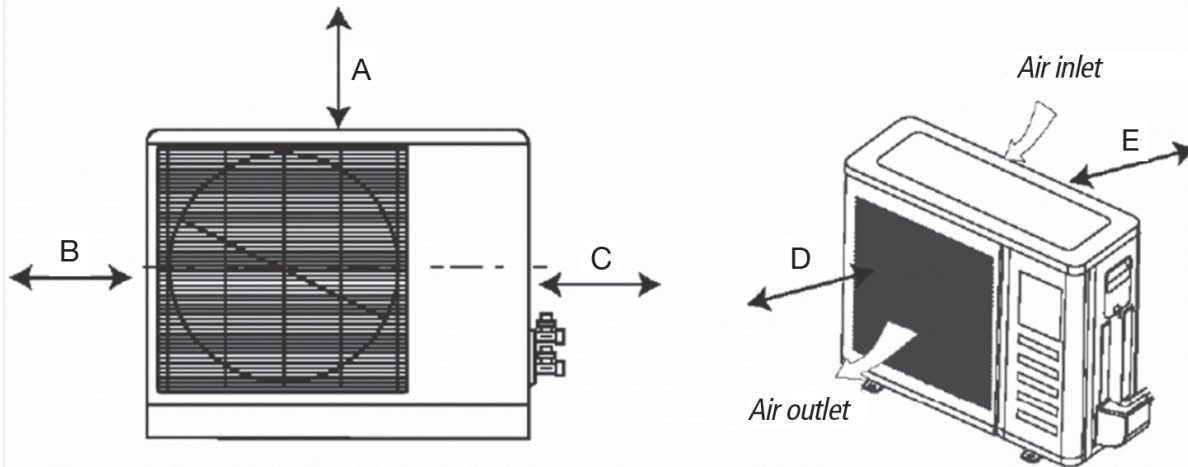
Units: inch (m)

INDOOR



OUTDOOR

Minimum Outdoor Clearances



	Minimum Distance
A	20 (500)
B	12 (305)
C	20 (500)
D	78 (1980)
E	12 (305)

Units: inch (mm)

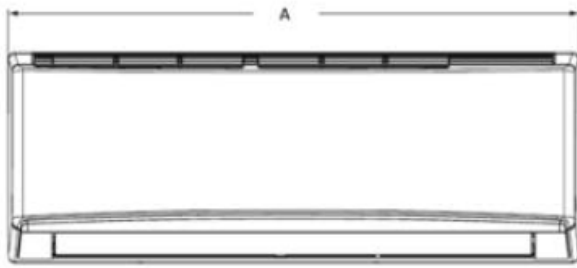
DIMENSIONAL SPECIFICATIONS

LIVV18HP230V1A

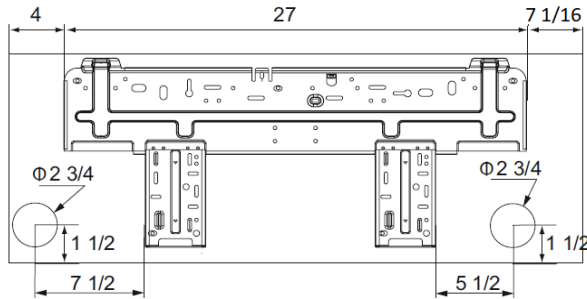
INDOOR UNIT DIMENSIONS

Units: inch

Model No: LIVV18HP230V1AH



Dimensions	
A	38 1/8
B	11 3/4
C	8 3/4



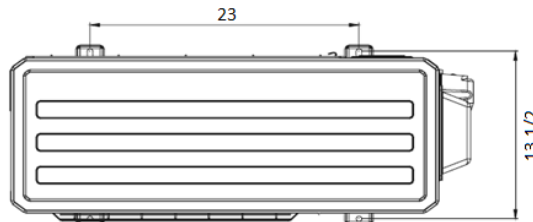
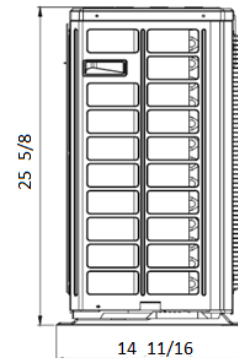
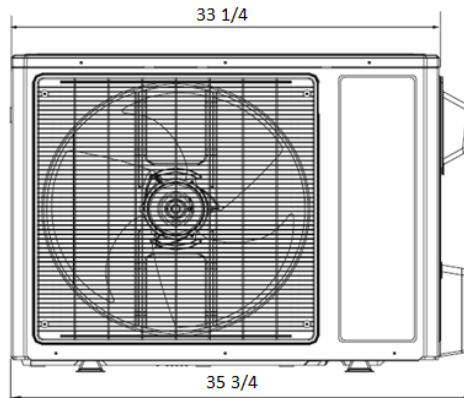
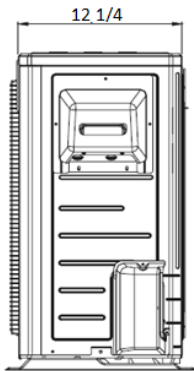
Weight (Net/Gross) 28.6/36.4 lbs

Liquid Line Valve	1/4-in OD Flared
Gas Line Valve	1/2-in OD Flared
Drain Connector	5/8-in OD

OUTDOOR UNIT DIMENSIONS

Units: inch

Model No: LIVV18HP230V1AO



Weight (Net/Gross) 95/105 lbs

Liquid Line Valve	1/4-in OD Flared
Gas Line Valve	1/2-in OD Flared

Notes:

1. Recommended Interconnecting Cable Type 14 AWG 4 Stranded Copper Conductors THHN 600V Wire
2. Power wiring cable size must comply with applicable national and local codes.
3. Test conditions are based on AHRI 210/240.

Specifications are subject to change without notice. Manufacturer reserves the right to discontinue or modify specifications or designs without notice or without incurring obligations. All rights reserved.