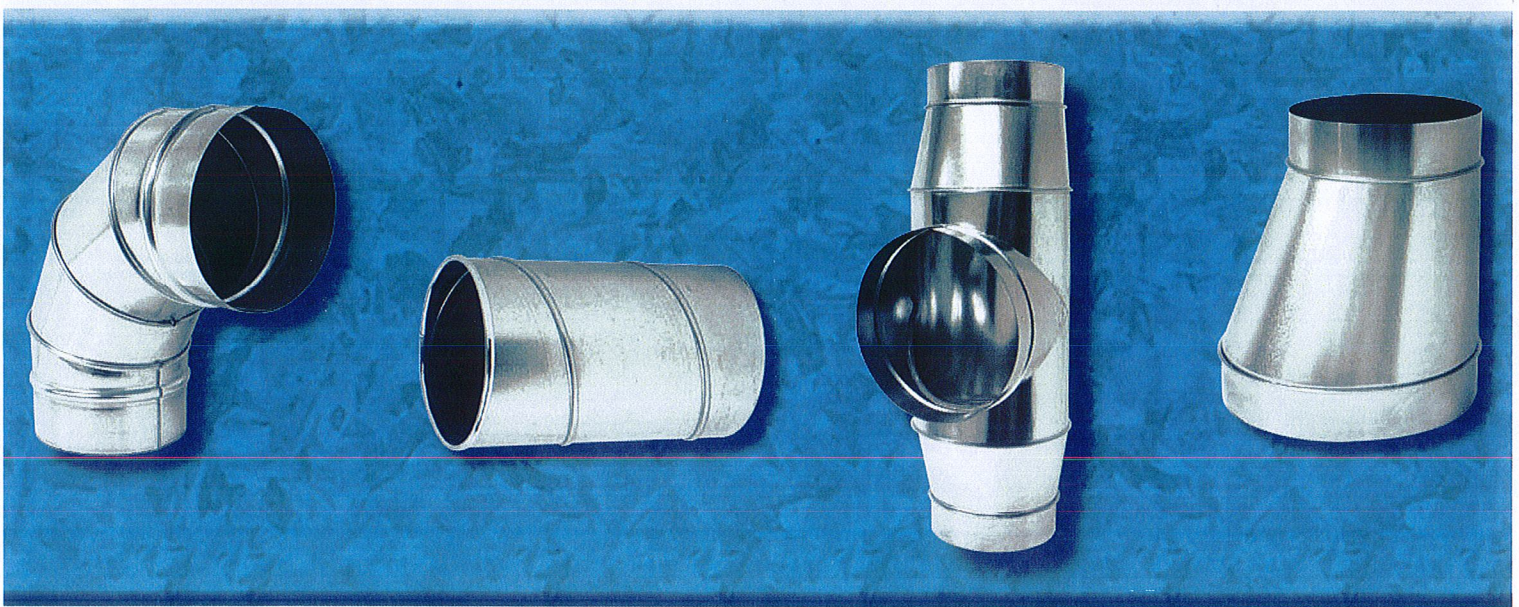


# Gray Metal Products, Inc.

## Spiral Pipe and Fittings Catalog



GRAY FAMILY EXCELLENCE  
OVER  
**100**  
YEARS  
GRAY FAMILY EXCELLENCE

## **POLICIES**

### **Product Return Policy**

All spiral duct and fittings are made to order. Items cannot be cancelled once fabricated and are not subject to return.

Products shipped that are damaged in transit are able to be returned or exchanged only when noted at the time of delivery.

### **Shortage/Overage Policy**

Gray Metal Products, Inc. requires any shortages or overages to be reported within 24 hours of delivery.

#### **Gray Metal Products, Inc.**

[www.graymetal.com](http://www.graymetal.com)

PO Box 129  
Avon, NY 14414

Ph: (585) 226-8660  
Fx: (585) 226-9356

This catalog and all contents are the property of Gray Metal Products, Inc. and any reproduction (in whole or in part) is prohibited without written permission.

©2017 Gray Metal Products, Inc.

## Low Pressure Galvanized Fittings

Fittings are fabricated from hot-dipped galvanized steel in gauges that equal or exceed SMACNA standards. (See table at right)

DIAMETER	FITTINGS MINIMUM GAUGE
4" THRU 14"	26
15" THRU 26"	24
28" THRU 36"	22
38" THRU 50"	20
52" THRU 60"	18

### Key to Dimensions

A – Main Inlet Diameter  
 B – Main Outlet Diameter  
 C, D – Branch Outlet Diameters  
 LR – Installed Length of Reducer

### Note "A"

The barrel for a reducing tee or lateral will be made of one piece where dimensions permit. Where "C" or "D" is greater than "B" a straight barrel and reducer will be supplied.

## High Pressure Fittings

Fittings are made of hot-dipped galvanized steel. Joints may be solid welded or spot welded and bonded. All welded joints will be coated with a protective paint, inside and out, to prevent damage to the galvanized surface. Spot-welded fittings will have all joints sealed with a UL-Classified zero flame spread and zero smoke developed cement specially formulated for bonding metal-to-metal joints.

DIAMETER	FITTINGS MINIMUM GAUGE
4" THRU 14"	22
15" THRU 36"	20
37" THRU 60"	18

## Available Options

PCD (Polyvinyl Coated Ducts)  
 4x1 / 4x4 / 4x1 Reverse  
 Stainless Steel  
 Aluminum  
 Galvaneal (Paint Grip)  
 Double Wall Insulated  
 Dust Collection

## Consult Factory

Angle Rings  
 Single & Double Wall Flanges  
 Access Doors  
 Vanstone (Factory Installed Rings)  
 Factory Mounted Saddle Taps  
 Gasketed Fittings (Self Sealing)

## Weight and Gauge Chart

### NOMINAL US STANDARD GAUGE

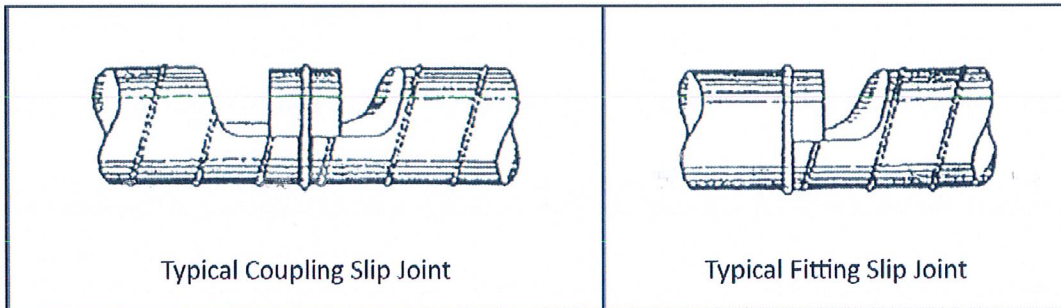
DIAM	26 GAUGE LBS/FT	24 GAUGE LBS/FT	22 GAUGE LBS/FT	20 GAUGE LBS/FT	18 GAUGE LBS/FT	16 GAUGE LBS/FT
4"	1.1	1.4	1.7	2.0		
5"	1.4	1.7	2.1	2.5	3.4	
6"	1.6	2.0	2.5	3.0	3.9	4.8
7"	1.9	2.4	2.9	3.4	4.6	5.6
8"	2.1	2.8	3.3	3.9	5.2	6.4
9"	2.4	3.1	3.8	4.4	5.9	7.2
10"	2.6	3.4	4.2	4.9	6.5	8.0
11"	2.9	3.8	4.6	5.4	7.1	9.1
12"	3.2	4.1	5.0	5.9	7.8	9.6
13"	3.4	4.5	5.4	6.4	8.5	10.7
14"	3.7	4.8	5.8	6.9	9.1	11.2
15"		5.1	6.2	7.4	9.8	12.5
16"		5.5	6.6	7.8	10.4	12.8
17"		5.8	7.1	8.3	11.1	13.3
18"		6.1	7.5	8.8	11.7	14.4
20"		6.8	8.3	9.8	13.0	16.0
22"		7.5	9.1	10.8	14.3	15.6
24"		8.2	9.9	11.7	15.6	19.2
26"		8.9	10.8	12.7	16.9	20.8
28"			11.6	13.7	18.2	22.4
30"			12.4	14.6	19.5	24.0

DIAM	22 GAUGE LBS/FT	20 GAUGE LBS/FT	18 GAUGE LBS/FT	16 GAUGE LBS/FT
32"	13.3	15.6	20.8	25.6
34"	14.1	16.6	22.0	27.9
36"	14.9	17.6	23.3	28.8
38"		18.5	24.6	29.8
40"		19.5	25.9	32.0
42"		20.5	27.2	33.5
44"		21.5	28.5	35.2
46"		22.5	29.8	36.7
48"		23.4	31.1	38.3
50"		24.5	32.4	40.0
52"		25.3	33.7	41.6
54"			35.0	43.2
56"			36.3	44.8
58"			37.6	46.4
60"			38.8	48.0
62"			41.1	50.7
64"			43.4	53.4
66"			44.7	55.1
68"			46.1	56.7
70"			47.4	58.4
72"			48.8	60.1

\*SPIRAL PIPE IS AVAILABLE UP TO 90" DIAMETER

A complete line of slip-joint fittings, designed especially for use with spiral pipe, includes many types of elbows, crosses, tees, laterals, reducers and various accessories.

Spiral pipe is joined by means of couplings and sealed with duct sealer. Sheet metal screws or pop rivets are used at maximum 1.5" intervals, with a minimum of three fasteners per joint. These hold the fittings and joints in place while the sealant cures.



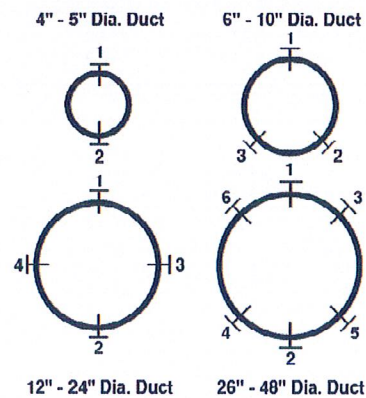
Standard SMACNA gauges (grey areas) will be supplied unless ordered otherwise. Standard lengths are 10ft. Shorter and longer lengths can be made to order at extra cost.

# Gray Metal Products, Inc.

- **SPIRAMir** conforms to ASTM-A653/A924 standards
- **SPIRAMir** conforms to ASTM standard A240
- **SPIRAMir** connections satisfy SMACNA's leakage Class 3 requirements, per SMACNA's Duct Design Manual from -20" W.G. to +12 W.G.
- **SPIRAMir** Self-Sealing Spiral Duct System has been tested by an accredited testing laboratory in accordance with UL testing standards
- **SPIRAMir** is tested in accordance with UL 723 and NFPA 55 standards
- **SPIRAMir** Spiral Duct System produces a flame spread index of zero (0) and smoke developed index of zero (0)

## Installation:

1. Spiral duct must be cut at a straight right angle and be deburred.
2. Make sure the spiral pipe or large end fitting is pushed all the way in and up to the bead of the small end fitting.
3. Secure the slip connection together by using sheetmetal screws or rivets.
4. Place the screws or rivets 1 1/2" from the edge of the pipe or the end fitting to avoid cutting the O-Ring gasket.



**Materials:** G30 or better for spiral duct, conforms to ASTM-A653/A924 standards.

Stainless Steel 304/2B and 316/2B, conforming to ASTM-A240.

Aluminum 3003-H14

PVC/PCD coated steel 4 X 1 underground, 4 X 4 above ground and 4 X 1 reverse.

### Metal Gauges:

Gauges are accordance with SMACNA duct construction standards.

**SPIRAMir fittings are manufactured by one or more of the following construction methods:**

### Fittings:

- Overlapped and stitched welded along the entire length of the fitting
- Standard seam gore-locked
- Button Punch
- Spot Welded

### Duct:

- Spiral lock seam construction
- Rolled construction continuously stitch welded along the entire length of the duct

### Pressure Class:

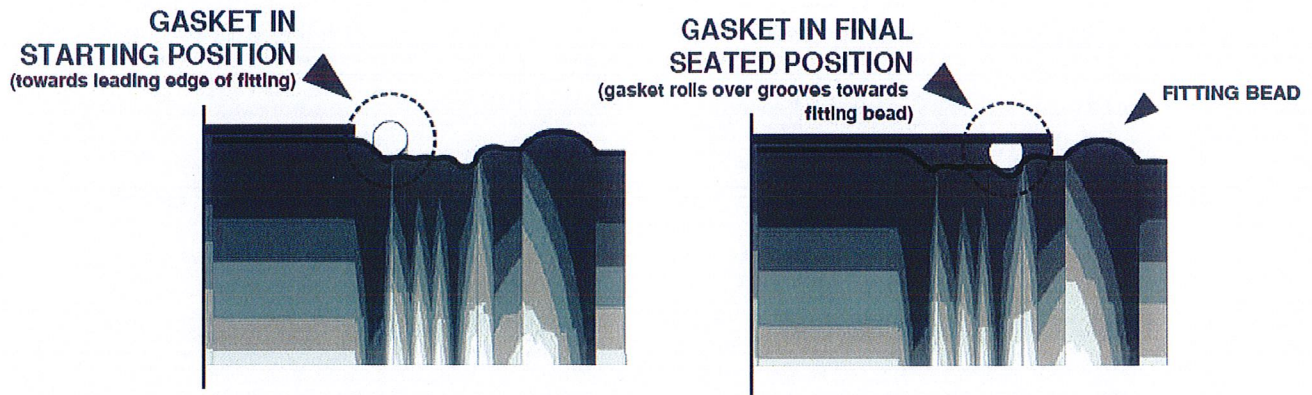
**SPIRAMir fittings far exceed SMACNA's medium pressure/high velocity requirements (+10" W.G.)**

SPIRAMir is a patented product, manufactured by

*Gray Metal Products, Inc.*

## **SPIRAmir**

A GREEN PRODUCT



### EXPERIENCE THE DIFFERENCE QUALITY FITTINGS CAN MAKE.

The best fitting in the industry:  
*Designed with your needs in mind!*

- Save 25% on installation costs
- Ensure tight seals, cleaner air quality and energy savings
- Ideal for exposed spiral projects, finished ductwork is clean and void of sealer or tape
- New O-Rings can be added at any point of fitting lifecycle

The *SPIRAmir* self-sealing duct system utilizes a soft rubber o-ring on every fitting which allows the fitting to smoothly slide into place and form a tight seal when the duct connection is made.

***This tight seal ensures cleaner air quality and energy efficiency.***

Our patented system is available in numerous materials:

Galvanized Steel | PCD/PVC  
Galvaneal | Aluminum | Stainless Steel

- Easy to Install
- Perfect for any job (exposed or not)
- Quick lead time for custom fittings

## P.C.D. Underground and Fume Exhaust

P.C.D. is made by coating hot-dipped galvanized steel with an epoxy primer and then applying a 4 mil polyvinyl coating to one side to make 4 x 1 P.C.D. or both sides to make 4 x 4 P.C.D.

### P.C.D. Spiral Ducts - Weight and Gauge Chart

DIAM	26 GAUGE LBS/FT	24 GAUGE LBS/FT	22 GAUGE LBS/FT	20 GAUGE LBS/FT	18 GAUGE LBS/FT
4"	1.1	1.4	1.7	2.0	2.6
5"	1.4	1.7	2.1	2.5	3.2
6"	1.6	2.0	2.5	3.0	4.0
7"	1.9	2.4	2.9	3.5	4.7
8"	2.2	2.8	3.4	4.0	5.3
9"	2.5	3.1	3.8	4.5	6.0
10"	2.7	3.5	4.3	5.0	6.6
12"	3.3	4.2	5.1	6.0	7.9
14"	3.8	4.9	5.9	7.0	9.2
16"	4.4	5.6	6.7	7.9	10.5
18"	5.0	6.2	7.6	8.9	11.8
20"	5.3	7.0	8.5	10.0	13.2
22"		7.7	9.3	11.0	14.5
24"		8.4	10.1	11.9	15.8
26"		9.1	11.0	12.9	17.1

DIAM	24 GAUGE LBS/FT	22 GAUGE LBS/FT	20 GAUGE LBS/FT	18 GAUGE LBS/FT
28"	9.7	11.8	13.9	18.4
30"	10.4	12.6	14.8	19.7
32"	11.1	13.5	15.8	21.0
34"	11.9	14.4	16.9	22.3
36"	12.7	15.3	18.0	23.8
38"		16.1	18.9	25.0
40"		16.8	19.8	26.2
42"		17.7	20.8	27.5
44"		18.5	21.8	28.8
46"		19.3	22.8	30.2
48"		20.3	23.7	31.5
50"		21.1	24.9	32.8
52"		21.9	25.8	34.1
56"		23.5	27.7	36.8
60"		25.3	29.7	39.5

Standard length of duct is 10 feet.  
Shorter and longer lengths can be made to order.

**4 x 1 P.C.D.** is used for underground systems, it has the 4-mil polyvinyl coating on the outside for protection from the soil.

**4 x 1 Reverse P.C.D.** has the 4-mil coating on the inside. Used for above-ground fume exhaust systems.

**4 x 4 P.C.D.** has the 4-mil polyvinyl coating on both sides. Used where maximum protection is wanted both inside and outside.

### Minimum Gauges\* for Underground Ducts and Fittings:

DIAMETER	GAUGE
4" THRU 8"	26 GAUGE
9" THRU 16"	24 GAUGE
18" THRU 24"	22 GAUGE
26" THRU 32"	20 GAUGE
34" THRU 60"	18 GAUGE

\*Gauges equal or exceed SMACNA standards

### Minimum Gauges\* for Above Ground Ducts and Fittings:

DIAMETER	GAUGE
4" THRU 8"	26 GAUGE
16" THRU 26"	24 GAUGE
28" THRU 36"	22 GAUGE
38" THRU 50"	20 GAUGE
52" THRU 60"	18 GAUGE

### Tapes & Sealers



#### P.C.D. Tape

- Thick polyethylene backing
- Strong & permanent
- For use above or below ground
- Superior adhesive quality even in hot or cold weather
- Available in rolls 2" x 108ft.



#### P.C.D. #8 Duct Sealer

- For positive sealing of joints and fittings on underground or fume exhaust installations
- Impervious to most corrosive atmospheres
- Available in cartridges and gallon cans

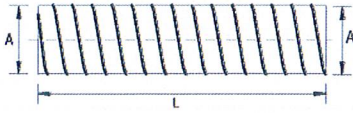


#### P.C.D. Touch-Up

- A special formula of polyvinyl chloride for air drying for quick scratch repair
- Available in aerosol spray cans and quart cans (brush on)

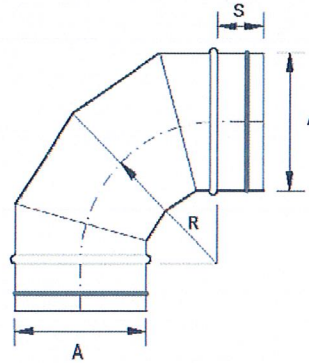
# Gray Metal Products, Inc.

## 10' Pipe = SP10



Galv = GSP10-A  
 Galvaneal = GNSP10-A  
 PCD 4x4 = P4SP10-A  
 PCD 4x1 = P1SP10-A  
 PCD 4x1 Reverse = P1RSP10-A  
 Aluminum = ALSP10-A  
 Stainless = SSSP10-A  
 Double Wall = DWSP10-A

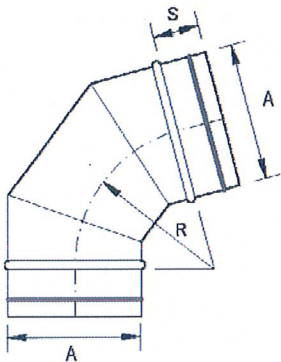
## 90° 4-Piece Elbow = G90



Galv = GG90-A  
 Galvaneal = GNG90-A  
 PCD 4x4 = P4G90-A  
 PCD 4x1 = P1G90-A  
 PCD 4x1 Reverse = P1RG90-A  
 Aluminum = ALG90-A  
 Stainless = SSG90-A  
 Double Wall = DWG90-A

$R=1.0 \times A$

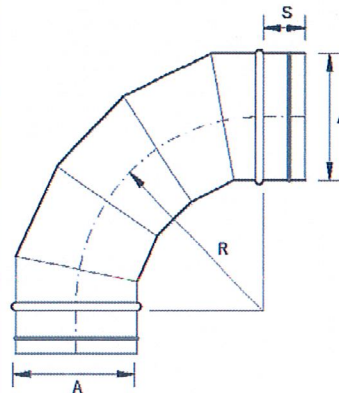
## 45° 3-Piece Elbow = G45



Galv = GG45-A  
 Galvaneal = GNG45-A  
 PCD 4x4 = P4G45-A  
 PCD 4x1 = P1G45-A  
 PCD 4x1 Reverse = P1RG45-A  
 Aluminum = ALG45-A  
 Stainless = SSG45-A  
 Double Wall = DWG45-A

$R=1.0 \times A$

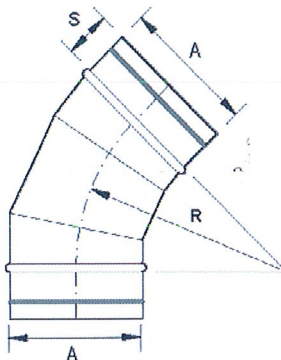
## 90° 5-Piece Elbow = G90L



Galv = GG90L-A  
 Galvaneal = GNG90L-A  
 PCD 4x4 = P4G90L-A  
 PCD 4x1 = P1G90L-A  
 PCD 4x1 Reverse = P1RG90L-A  
 Aluminum = ALG90L-A  
 Stainless = SSG90L-A  
 Double Wall = DWG90L-A

$R=1.5 \times A$

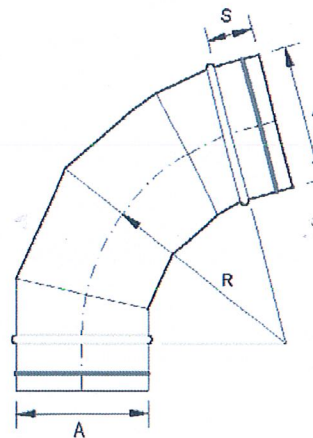
## 45° 3-Piece Elbow = G45L



Galv = GG45L-A  
 Galvaneal = GNG45L-A  
 PCD 4x4 = P4G45L-A  
 PCD 4x1 = P1G45L-A  
 PCD 4x1 Reverse = P1RG45L-A  
 Aluminum = ALG45L-A  
 Stainless = SSG45L-A  
 Double Wall = DWG45L-A

$R=1.5 \times A$

## 75° or 60° 4-Piece Elbow = G475 or G460



**75°**  
 Galv = GG475-A  
 Galvaneal = GNG475-A  
 PCD 4x4 = P4G475-A  
 PCD 4x1 = P1G475-A  
 PCD 4x1 Reverse = P1RG475-A  
 Aluminum = ALG475-A  
 Stainless = SSG475-A  
 Double Wall = DWG475-A

**60°**  
 Galv = GG460-A  
 Galvaneal = GNG460-A  
 PCD 4x4 = P4G460-A  
 PCD 4x1 = P1G460-A  
 PCD 4x1 Reverse = P1RG460-A  
 Aluminum = ALG460-A  
 Stainless = SSG460-A  
 Double Wall = DWG460-A

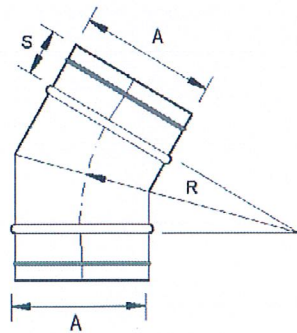
$R=1.0 \times A$

Meet or Exceeds SMACNA Standards



# Gray Metal Products, Inc.

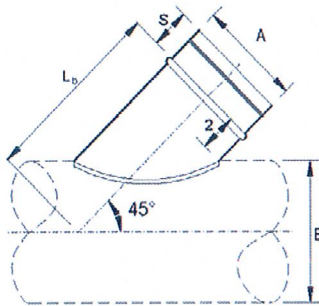
## 30° or 22.5° 2-Piece Elbow = G230 or G222



- 30°**  
 Galv = GG230-A  
 Galvaneal = GNG230-A  
 PCD 4x4 = P4G230-A  
 PCD 4x1 = P1G230-A  
 PCD 4x1 Reverse = P1RG230-A  
 Aluminum = ALG230-A  
 Stainless = SSG230-A  
 Double Wall = DWG230-A
- 22.5°**  
 Galv = GG222-A  
 Galvaneal = GNG222-A  
 PCD 4x4 = P4G222-A  
 PCD 4x1 = P1G222-A  
 PCD 4x1 Reverse = P1RG222-A  
 Aluminum = ALG222-A  
 Stainless = SSG222-A  
 Double Wall = DWG222-A

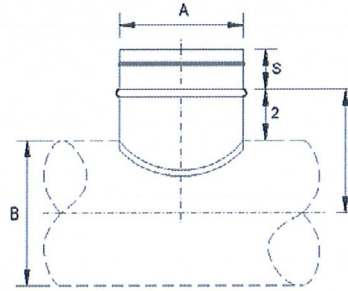
R=1.0 x A

## 45° Saddle Tap = ST45



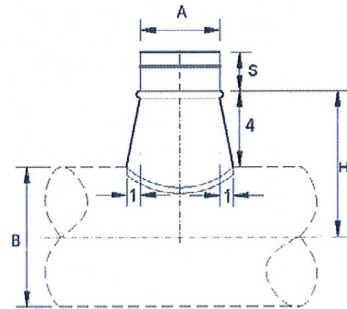
- Galv = GST45-AB  
 Galvaneal = GNST45-AB  
 PCD 4x4 = P4ST45-AB  
 PCD 4x1 = P1ST45-AB  
 PCD 4x1 Reverse = P1RST45-AB  
 Aluminum = ALST45-AB  
 Stainless = SSST45-AB  
 Double Wall = DWST45-AB

## 90° Saddle Tap = ST



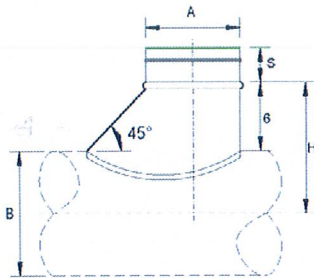
- Galv = GST-AB  
 Galvaneal = GNST-AB  
 PCD 4x4 = P4ST-AB  
 PCD 4x1 = P1ST-AB  
 PCD 4x1 Reverse = P1RST-AB  
 Aluminum = ALST-AB  
 Stainless = SSST-AB  
 Double Wall = DWST-AB

## 90° Conical Saddle Tap = CST



- Galv = GCST-AB  
 Galvaneal = GNCST-AB  
 PCD 4x4 = P4CST-AB  
 PCD 4x1 = P1CST-AB  
 PCD 4x1 Reverse = P1RCST-AB  
 Aluminum = ALCST-AB  
 Stainless = SSCST-AB  
 Double Wall = DWCST-AB

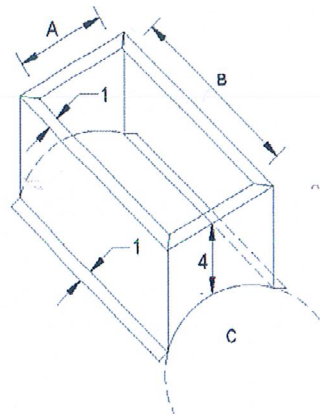
## 90° Shoe Type Saddle Tap = STST



- Galv = GSTST-AB  
 Galvaneal = GNSTST-AB  
 PCD 4x4 = P4STST-AB  
 PCD 4x1 = P1STST-AB  
 PCD 4x1 Reverse = P1RSTST-AB  
 Aluminum = ALSTST-AB  
 Stainless = SSSTST-AB  
 Double Wall = DWSTST-AB

## Register Box = RB

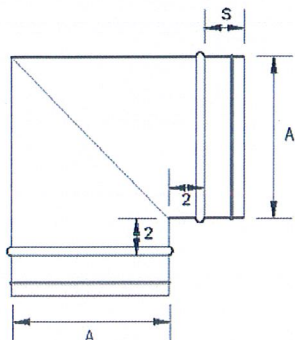
I.D. Required



- Galv = GRB-ABC  
 Galvaneal = GNRB-ABC  
 PCD 4x4 = P4RB-ABC  
 PCD 4x1 = P1RB-ABC  
 PCD 4x1 Reverse = P1RRB-ABC  
 Aluminum = ALRB-ABC  
 Stainless = SSRB-ABC  
 Double Wall = DWRB-ABC

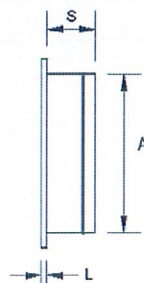
# Gray Metal Products, Inc.

## 90° 2-Piece Mitered Elbow with or without Turning Vanes = M290



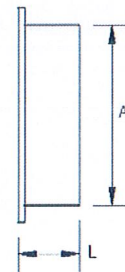
Galv = GM290-A  
Galvaneal = GNM290-A  
PCD 4x4 = P4M290-A  
PCD 4x1 = P1M290-A  
PCD 4x1 Reverse = P1RM290-A  
Aluminum = ALM290-A  
Stainless = SSM290-A  
Double Wall = DWM290-A

## End Cap for Pipe = EC



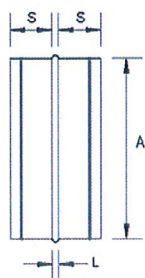
Galv = GEC-A  
Galvaneal = GNEC-A  
PCD 4x4 = P4EC-A  
PCD 4x1 = P1EC-A  
PCD 4x1 Reverse = P1REC-A  
Aluminum = ALEC-A  
Stainless = SSEC-A  
Double Wall = DWEC-A

## End Cap for Fitting = EF



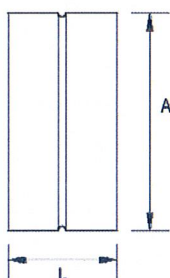
Galv = GEF-A  
Galvaneal = GNEF-A  
PCD 4x4 = P4EF-A  
PCD 4x1 = P1EF-A  
PCD 4x1 Reverse = P1REF-A  
Aluminum = ALEF-A  
Stainless = SSEF-A  
Double Wall = DWEF-A

## Coupling for Pipe = SPC



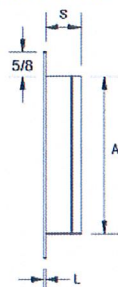
Galv = GSPC-A  
Galvaneal = GNSPC-A  
PCD 4x4 = P4SPC-A  
PCD 4x1 = P1SPC-A  
PCD 4x1 Reverse = P1RSPC-A  
Aluminum = ALSPC-A  
Stainless = SSSPC-A  
Double Wall = DWSPC-A

## Coupling for Fitting = SFC



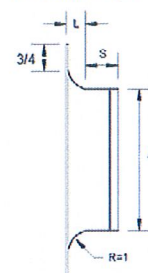
Galv = GSFC-A  
Galvaneal = GNSFC-A  
PCD 4x4 = P4SFC-A  
PCD 4x1 = P1SFC-A  
PCD 4x1 Reverse = P1RSFC-A  
Aluminum = ALSFC-A  
Stainless = SSSFC-A  
Double Wall = DWSFC-A

## Start Collar = STC



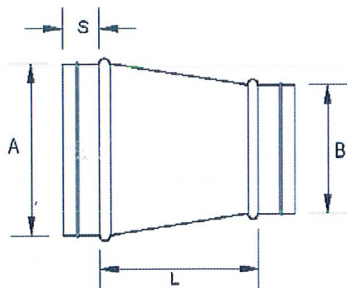
Galv = GSTC-A  
Galvaneal = GNSTC-A  
PCD 4x4 = P4STC-A  
PCD 4x1 = P1STC-A  
PCD 4x1 Reverse = P1RSTC-A  
Aluminum = ALSTC-A  
Stainless = SSSTC-A  
Double Wall = DWSTC-A

## Bellmouth = BMF



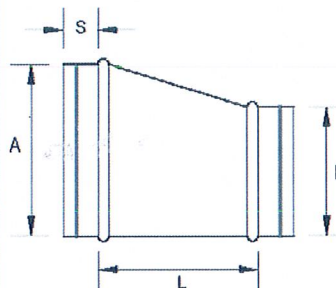
Galv = GBMF-A  
Galvaneal = GNBMF-A  
PCD 4x4 = P4BMF-A  
PCD 4x1 = P1BMF-A  
PCD 4x1 Reverse = P1RBMF-A  
Aluminum = ALBMF-A  
Stainless = SSBMF-A  
Double Wall = DWBMF-A

## Concentric Reducer = RED



Galv = GRED-AB  
Galvaneal = GNRED-AB  
PCD 4x4 = P4RED-AB  
PCD 4x1 = P1RED-AB  
PCD 4x1 Reverse = P1RRED-AB  
Aluminum = ALRED-AB  
Stainless = SSRED-AB  
Double Wall = DWRED-AB

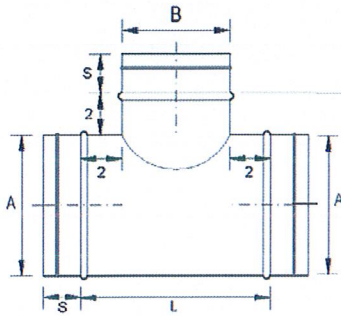
## Eccentric Reducer = ERED



Galv = GERED-AB  
Galvaneal = GNERED-AB  
PCD 4x4 = P4ERED-AB  
PCD 4x1 = P1ERED-AB  
PCD 4x1 Reverse = P1RERED-AB  
Aluminum = ALERED-AB  
Stainless = SSERED-AB  
Double Wall = DWERED-AB

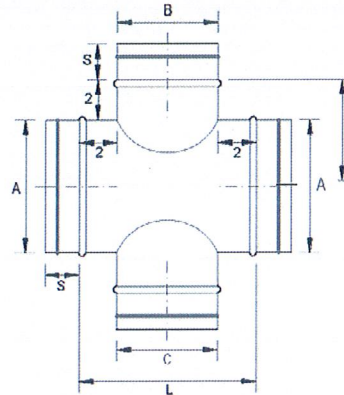
# Gray Metal Products, Inc.

## 90° Tee = T90



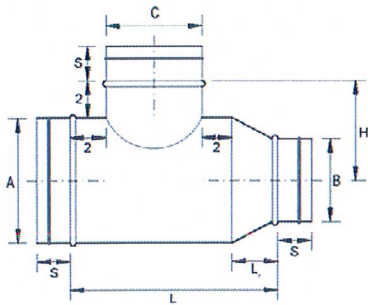
Galv = GT90-AB  
 Galvaneal = GNT90-AB  
 PCD 4x4 = P4T90-AB  
 PCD 4x1 = P1T90-AB  
 PCD 4x1 Reverse = P1RT90-AB  
 Aluminum = ALT90-AB  
 Stainless = SST90-AB  
 Double Wall = DWT90-AB

## 180° Cross = C180



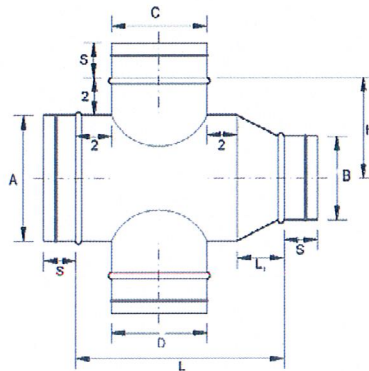
Galv = GC180-ABC  
 Galvaneal = GNC180-ABC  
 PCD 4x4 = P4C180-ABC  
 PCD 4x1 = P1C180-ABC  
 PCD 4x1 Reverse = P1RC180-ABC  
 Aluminum = ALC180-ABC  
 Stainless = SSC180-ABC  
 Double Wall = DWC180-ABC

## 90° Reducing Tee = RT



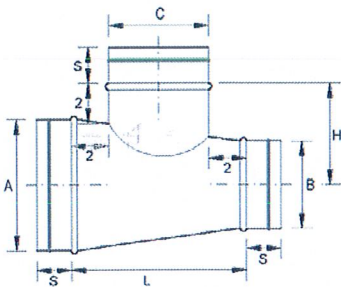
Galv = GRT-ABC  
 Galvaneal = GNRT-ABC  
 PCD 4x4 = P4RT-ABC  
 PCD 4x1 = P1RT-ABC  
 PCD 4x1 Reverse = P1RRT-ABC  
 Aluminum = ALRT-ABC  
 Stainless = SSRT-ABC  
 Double Wall = DWRT-ABC

## 180° Reducing Cross = RC



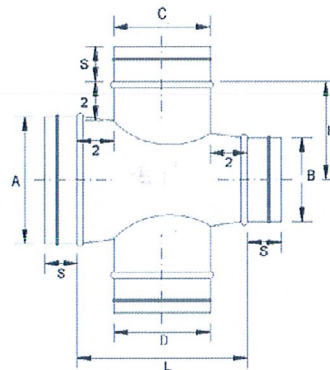
Galv = GRC-ABCD  
 Galvaneal = GNRC-ABCD  
 PCD 4x4 = P4RC-ABCD  
 PCD 4x1 = P1RC-ABCD  
 PCD 4x1 Reverse = P1RRC-ABCD  
 Aluminum = ALRC-ABCD  
 Stainless = SSRC-ABCD  
 Double Wall = DWRC-ABCD

## 90° Reducing Body Tee = RBT



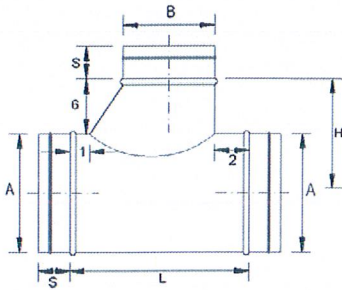
Galv = GRBT-ABC  
 Galvaneal = GNRBT-ABC  
 PCD 4x4 = P4RBT-ABC  
 PCD 4x1 = P1RBT-ABC  
 PCD 4x1 Reverse = P1RRBT-ABC  
 Aluminum = ALRBT-ABC  
 Stainless = SSRBT-ABC  
 Double Wall = DWRBT-ABC

## 180° Reducing Body Cross = RBC



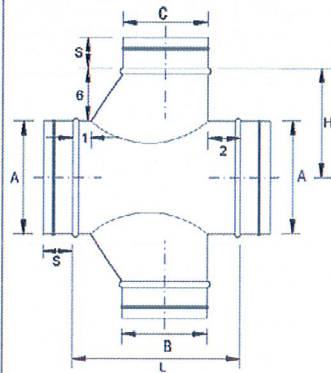
Galv = GRBC-ABCD  
 Galvaneal = GNRBC-ABCD  
 PCD 4x4 = P4RBC-ABCD  
 PCD 4x1 = P1RBC-ABCD  
 PCD 4x1 Reverse = P1RRBC-ABCD  
 Aluminum = ALRBC-ABCD  
 Stainless = SSRBC-ABCD  
 Double Wall = DWRBC-ABCD

## Shoe Type 90° Tee = STT



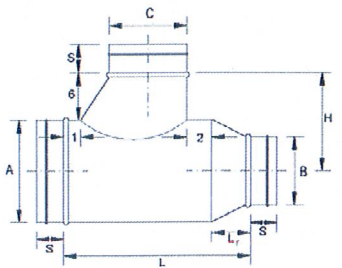
Galv = GSTT-AB  
 Galvaneal = GNSTT-AB  
 PCD 4x4 = P4STT-AB  
 PCD 4x1 = P1STT-AB  
 PCD 4x1 Reverse = P1RSTT-AB  
 Aluminum = ALSTT-AB  
 Stainless = SSSTT-AB  
 Double Wall = DWSTT-AB

## Shoe Type 180° Cross = STC



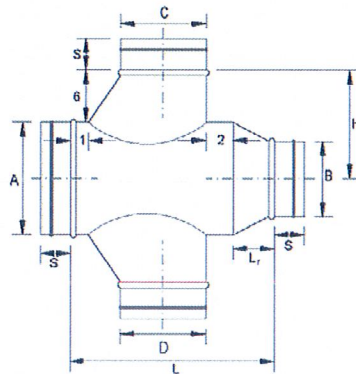
Galv = GSTC-ABC  
 Galvaneal = GNSTC-ABC  
 PCD 4x4 = P4STC-ABC  
 PCD 4x1 = P1STC-ABC  
 PCD 4x1 Reverse = P1RSTC-ABC  
 Aluminum = ALSTC-ABC  
 Stainless = SSSTC-ABC  
 Double Wall = DWSTC-ABC

## Shoe Type 90° Reducing Tee = RSTT



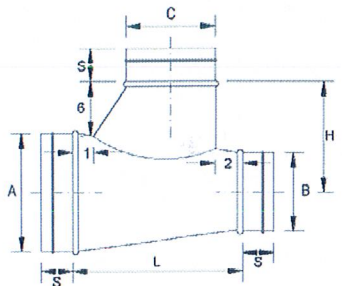
Galv = GRSTT-ABC  
 Galvaneal = GNRSTT-ABC  
 PCD 4x4 = P4RSTT-ABC  
 PCD 4x1 = P1RSTT-ABC  
 PCD 4x1 Reverse = P1RRSTT-ABC  
 Aluminum = ALRSTT-ABC  
 Stainless = SSRSTT-ABC  
 Double Wall = DWRSTT-ABC

## Shoe Type 180° Reducing Cross = STRC



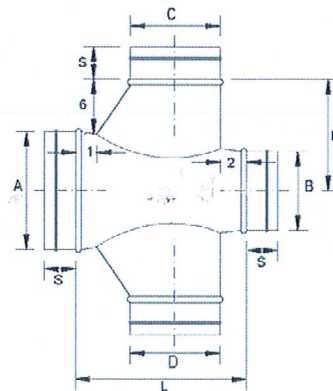
Galv = GSTRC-ABCD  
 Galvaneal = GNSTRC-ABCD  
 PCD 4x4 = P4STRC-ABCD  
 PCD 4x1 = P1STRC-ABCD  
 PCD 4x1 Reverse = P1RSTRC-ABCD  
 Aluminum = ALSTRC-ABCD  
 Stainless = SSSTRC-ABCD  
 Double Wall = DWSTRC-ABCD

## Shoe Type 90° Reducing Body Tee = STRBT



Galv = GSTRBT-ABC  
 Galvaneal = GNSTRBT-ABC  
 PCD 4x4 = P4STRBT-ABC  
 PCD 4x1 = P1STRBT-ABC  
 PCD 4x1 Reverse = P1RSTRBT-ABC  
 Aluminum = ALSTRBT-ABC  
 Stainless = SSSTRBT-ABC  
 Double Wall = DWSTRBT-ABC

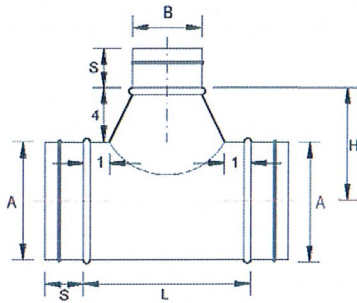
## Shoe Type 180° Reducing Body Cross = STRBC



Galv = GSTRBC-ABCD  
 Galvaneal = GNSTRBC-ABCD  
 PCD 4x4 = P4STRBC-ABCD  
 PCD 4x1 = P1STRBC-ABCD  
 PCD 4x1 Reverse = P1RSTRBC-ABCD  
 Aluminum = ALSTRBC-ABCD  
 Stainless = SSSTRBC-ABCD  
 Double Wall = DWSTRBC-ABCD

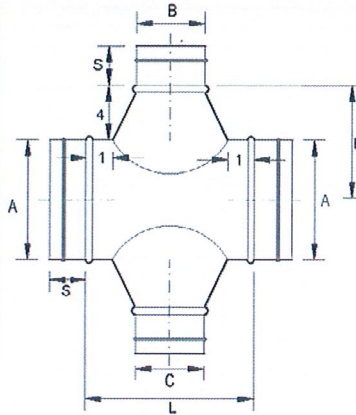
# Gray Metal Products, Inc.

## 90° Conical Tee = CT



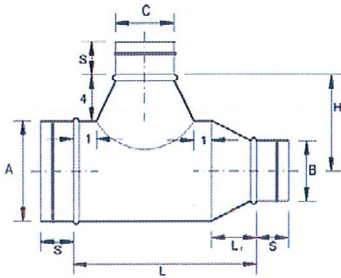
Galv = GCT-AB  
 Galvaneal = GNCT-AB  
 PCD 4x4 = P4CT-AB  
 PCD 4x1 = P1CT-AB  
 PCD 4x1 Reverse = P1RCT-AB  
 Aluminum = ALCT-AB  
 Stainless = SSCT-AB  
 Double Wall = DWCT-AB

## 180° Conical Cross = CC



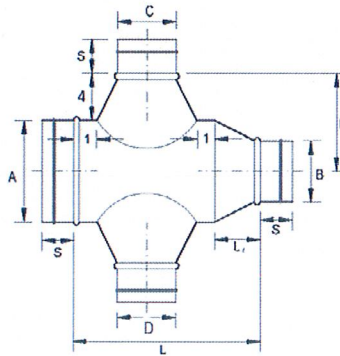
Galv = GCC-ABC  
 Galvaneal = GNCC-ABC  
 PCD 4x4 = P4CC-ABC  
 PCD 4x1 = P1CC-ABC  
 PCD 4x1 Reverse = P1RCC-ABC  
 Aluminum = ALCC-ABC  
 Stainless = SSCC-ABC  
 Double Wall = DWCC-ABC

## 90° Reducing Conical Tee = RCT



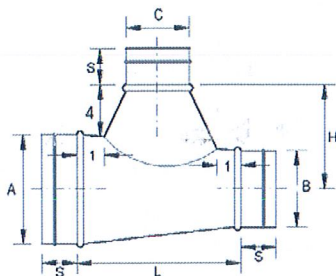
Galv = GRCT-ABC  
 Galvaneal = GNRCT-ABC  
 PCD 4x4 = P4RCT-ABC  
 PCD 4x1 = P1RCT-ABC  
 PCD 4x1 Reverse = P1RRCT-ABC  
 Aluminum = ALRCT-ABC  
 Stainless = SSRCT-ABC  
 Double Wall = DWRCT-ABC

## 180° Conical Reducing Cross = CRC



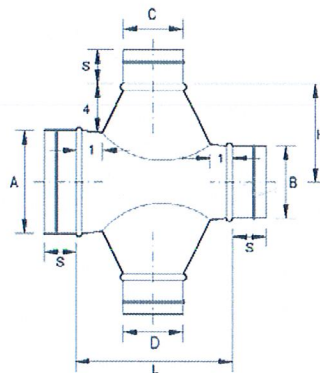
Galv = GCRC-ABCD  
 Galvaneal = GNCRC-ABCD  
 PCD 4x4 = P4CRC-ABCD  
 PCD 4x1 = P1CRC-ABCD  
 PCD 4x1 Reverse = P1RCRC-ABCD  
 Aluminum = ALCRC-ABCD  
 Stainless = SSCRC-ABCD  
 Double Wall = DWCRC-ABCD

## 90° Reducing Body Conical Tee = RBCT



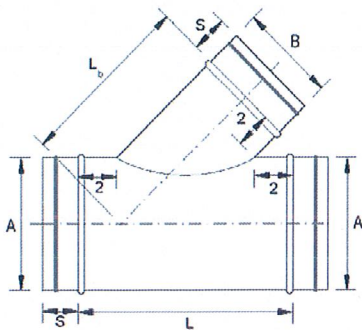
Galv = GRBCT-ABC  
 Galvaneal = GNRBCT-ABC  
 PCD 4x4 = P4RBCT-ABC  
 PCD 4x1 = P1RBCT-ABC  
 PCD 4x1 Reverse = P1RRBCT-ABC  
 Aluminum = ALRBCT-ABC  
 Stainless = SSRBCT-ABC  
 Double Wall = DWRBCT-ABC

## 180° Reducing Body Conical Cross = RBCC



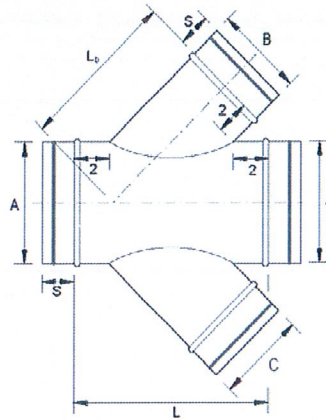
Galv = GRBCC-ABCD  
 Galvaneal = GNRBCC-ABCD  
 PCD 4x4 = P4RBCC-ABCD  
 PCD 4x1 = P1RBCC-ABCD  
 PCD 4x1 Reverse = P1RRBCC-ABCD  
 Aluminum = ALRBCC-ABCD  
 Stainless = SSRBCC-ABCD  
 Double Wall = DWRBCC-ABCD

## 45° Lateral = L45



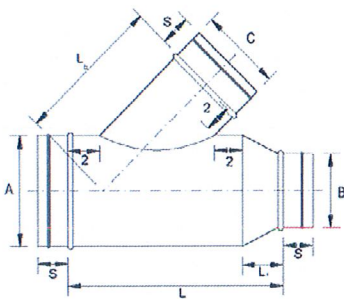
Galv = GL45-AB  
 Galvaneal = GNL45-AB  
 PCD 4x4 = P4L45-AB  
 PCD 4x1 = P1L45-AB  
 PCD 4x1 Reverse = P1RL45-AB  
 Aluminum = ALL45-AB  
 Stainless = SSL45-AB  
 Double Wall = DWL45-AB

## 45° Lateral Cross = LC45



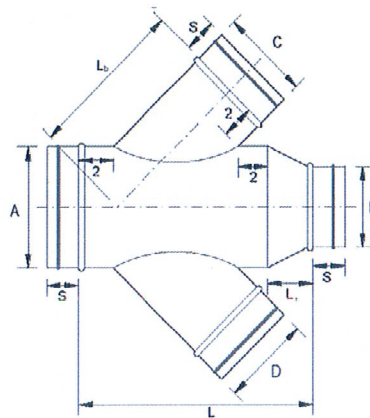
Galv = GLC45-ABC  
 Galvaneal = GLC45-ABC  
 PCD 4x4 = P4LC45-ABC  
 PCD 4x1 = P1LC45-ABC  
 PCD 4x1 Reverse = P1RLC45-ABC  
 Aluminum = ALLC45-ABC  
 Stainless = SSLC45-ABC  
 Double Wall = DWLC45-ABC

## 45° Reducing Lateral = RL



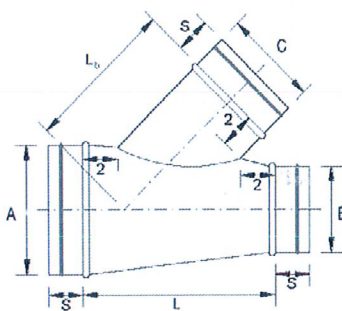
Galv = GRL-ABC  
 Galvaneal = GNRL-ABC  
 PCD 4x4 = P4RL-ABC  
 PCD 4x1 = P1RL-ABC  
 PCD 4x1 Reverse = P1RRL-ABC  
 Aluminum = ALRL-ABC  
 Stainless = SSRL-ABC  
 Double Wall = DWRL-ABC

## 45° Reducing Lateral Cross = RLC



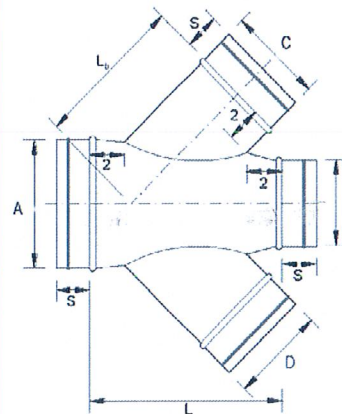
Galv = GRLC-ABCD  
 Galvaneal = GNRLC-ABCD  
 PCD 4x4 = P4RLC-ABCD  
 PCD 4x1 = P1RLC-ABCD  
 PCD 4x1 Reverse = P1RRLC-ABCD  
 Aluminum = ALRLC-ABCD  
 Stainless = SSRLC-ABCD  
 Double Wall = DWRLC-ABCD

## 45° Reducing Body Lateral = RBL



Galv = GRBL-ABC  
 Galvaneal = GNRBL-ABC  
 PCD 4x4 = P4RBL-ABC  
 PCD 4x1 = P1RBL-ABC  
 PCD 4x1 Reverse = P1RRBL-ABC  
 Aluminum = ALRBL-ABC  
 Stainless = SSRBL-ABC  
 Double Wall = DWRBL-ABC

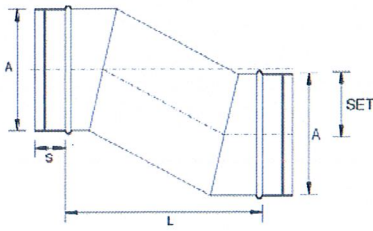
## 45° Reducing Body Lateral Cross = RBLC



Galv = GRBLC-ABCD  
 Galvaneal = GNRBLC-ABCD  
 PCD 4x4 = P4RBLC-ABCD  
 PCD 4x1 = P1RBLC-ABCD  
 PCD 4x1 Reverse = P1RRBLC-ABCD  
 Aluminum = ALRBLC-ABCD  
 Stainless = SSRBLC-ABCD  
 Double Wall = DWRBLC-ABCD

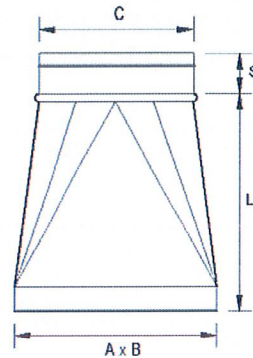
# Gray Metal Products, Inc.

## Offset = OFF



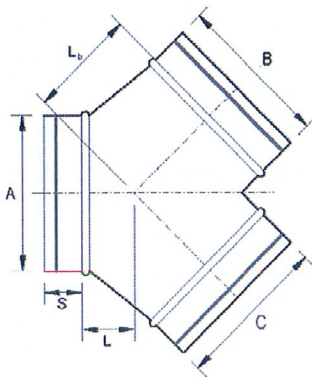
Galv = GOFF-A  
 Galvaneal = GNOFF-A  
 PCD 4x4 = P4OFF-A  
 PCD 4x1 = P1OFF-A  
 PCD 4x1 Reverse = P1ROFF-A  
 Aluminum = ALOFF-A  
 Stainless = SSOFF-A  
 Double Wall = DWOFF-A

## Square to Round = SQRD



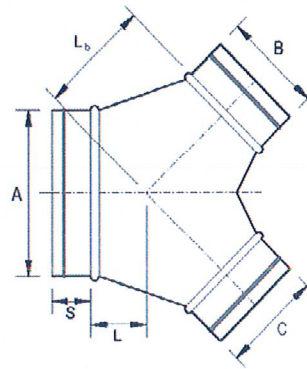
Galv = GSQRD-AxBC  
 Galvaneal = GNSQRD-AxBC  
 PCD 4x4 = P4SQRD-AxBC  
 PCD 4x1 = P1SQRD-AxBC  
 PCD 4x1 Reverse = P1RSQRD-AxBC  
 Aluminum = ALSQRD-AxBC  
 Stainless = SSSQRD-AxBC  
 Double Wall = DWSQRD-AxBC

## Y-Branch = YB



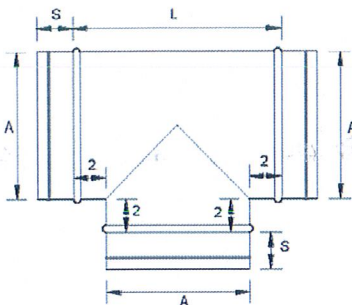
Galv = GYB-A  
 Galvaneal = GNYB-A  
 PCD 4x4 = P4YB-A  
 PCD 4x1 = P1YB-A  
 PCD 4x1 Reverse = P1RYB-A  
 Aluminum = ALYB-A  
 Stainless = SSYB-A  
 Double Wall = DWYB-A

## Reducing Y-Branch = RYB



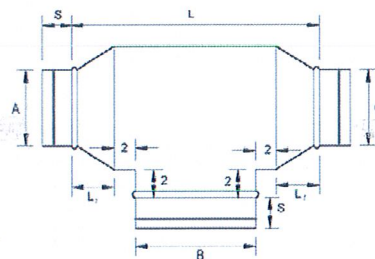
Galv = GRYB-ABC  
 Galvaneal = GNRYB-ABC  
 PCD 4x4 = P4RYB-ABC  
 PCD 4x1 = P1RYB-ABC  
 PCD 4x1 Reverse = P1RRYB-ABC  
 Aluminum = ALRYB-ABC  
 Stainless = SSRYB-ABC  
 Double Wall = DWRYB-ABC

## Bullhead Tee = BT



Galv = GBT-A  
 Galvaneal = GNB-T-A  
 PCD 4x4 = P4BT-A  
 PCD 4x1 = P1BT-A  
 PCD 4x1 Reverse = P1RBT-A  
 Aluminum = ALBT-A  
 Stainless = SSBT-A  
 Double Wall = DWBT-A

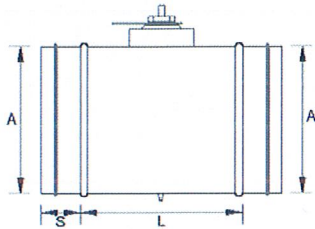
## Reducing Bullhead Tee = RBT



Galv = GRBT-ABC  
 Galvaneal = GNRBT-ABC  
 PCD 4x4 = P4RBT-ABC  
 PCD 4x1 = P1RBT-ABC  
 PCD 4x1 Reverse = P1RRBT-ABC  
 Aluminum = ALRBT-ABC  
 Stainless = SSRBT-ABC  
 Double Wall = DWRBT-ABC

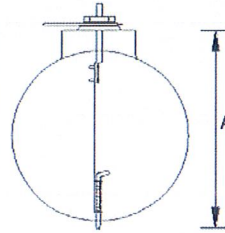
# Gray Metal Products, Inc.

Volume Damper Section = VDS



Galv = GVDS-A  
 Galvaneal = GNVDS-A  
 PCD 4x4 = P4VDS-A  
 PCD 4x1 = P1VDS-A  
 PCD 4x1 Reverse = P1RVDS-A  
 Aluminum = ALVDS-A  
 Stainless = SSVDS-A  
 Double Wall = DWVDS-A

Volume Damper = VD



Galv = GVD-A  
 Galvaneal = GNVD-A  
 PCD 4x4 = P4VD-A  
 PCD 4x1 = P1VD-A  
 PCD 4x1 Reverse = P1RVD-A  
 Aluminum = ALVD-A  
 Stainless = SSVD-A  
 Double Wall = DWVD-A

## Hangers

Available in any size or material, every project needs them!

**Strap/Economy Hanger:** Most economical and easy to use, strap not included



Strap/Economy = EHANG-A

**Tear Drop Hanger:** Most popular, 9/16" hole, rod not included



Tear Drop = TDH-A

**Wall Mount:** 9/16" holes and mounting plate, very popular with dust collection and vertical installations, depth of mounting plate variable to fit your needs



Wall Mount = WMH-A

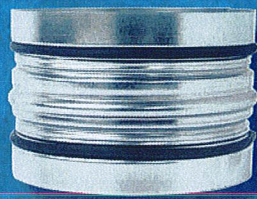
**Double Rod/Half Double Rod:** 9/16" hole, rod not included, half double rod also available upon request



Double Rod/  
 Half Double Rod = SH-A







## **Gray Metal Products, Inc.**

PO Box 129 • Avon, NY 14414

(585) 226-8660 • Fax: (585) 226-9356

[www.graymetal.com](http://www.graymetal.com)