



# W801C-MSA, MXA

Parts List  
28-July-2021



*This parts list is current as of the above revision date.*

See <http://www.rheempartslists.net/92-42803-W801C-MSA, MXA.pdf> for the current revision.

**80% Gas Furnaces**

# Table of Contents

Model Explanation .....	Page 3
<b>Parts Numbers</b>	
Panels - Miscellaneous .....	Page 4
Electrical Group (1) .....	Page 5
Blower Group (1) .....	Page 6
Heat Exchanger-Burner Group .....	Page 7
Gas Controls (1) .....	Page 7
Orifice Selection Chart .....	Page 8
<b>Drawings/Photographs</b>	
Exploded View .....	Page 9
Cabinet Interior .....	Page 10
Burner Assembly .....	Page 11
NOx Insert Assembly .....	Page 12
Junction Box .....	Page 13
Blower Shelf .....	Page 14
Blower Assembly .....	Page 15
Control Board Mounting .....	Page 16
Notes/Disclaimer .....	Page 17

**MODEL EXPLANATION**

<b>W</b>	<b>8</b>	<b>0</b>	<b>1</b>	<b>C</b>	<b>A</b>	<b>0</b>	<b>5</b>	<b>0</b>	<b>3</b>	<b>1</b>	<b>4</b>	<b>M</b>	<b>S</b>	<b>A</b>
(1)	(2)		(3)	(4)	(5)	(6)			(7)	(8)		(9)	(10)	(11)

- |  |  |
|--|--|
| <p><b>(1) TRADEBRAND IDENTIFICATION</b></p> <p><b>(2) SERIES</b><br/>80% Efficient</p> <p><b>(3) STAGE - SINGLE (1)</b></p> <p><b>(4) MOTOR TYPE</b><br/>C = Constant Torque</p> <p><b>(5) MAJOR REVISION</b><br/>A = 1st Design Series</p> <p><b>(6) HEATING INPUT DESIGNATION</b><br/>050 = 50,000 BTU/HR<br/>075 = 75,000 BTU/HR<br/>100 = 98,000 BTU/HR<br/>125 = 125,000 BTU/HR</p> | <p><b>(7) AIRFLOW</b><br/>3 = Up to 3 tons<br/>4 = Up to 4 tons<br/>5 = Up to 5 tons</p> <p><b>(8) CABINET WIDTH</b><br/>14 = 14.0 inch<br/>17 = 17.5 inch<br/>21 = 21.0 inch<br/>24 = 24.5 inch</p> <p><b>(9) CONFIGURATION</b><br/>M = Upflow/Horizontal</p> <p><b>(10) STANDARD/NOx</b><br/>S = Standard<br/>X = NOx</p> <p><b>(11) MINOR REVISION</b><br/>A = First Time Release</p> |
|--|--|

**SERIAL NUMBER EXPLANATION**

<b>W</b>	<b>0</b>	<b>8</b>	<b>1</b>	<b>4</b>	<b>9</b>	<b>9</b>	<b>9</b>	<b>9</b>
(1)	(2)		(3)		(4)			

- (1) PLANT CODE**
- (2) WEEK (DATE CODE)**
- (3) YEAR**
- (4) PRODUCTION NUMBER**

**Note: For Gas Code, see Control System Gas Code on Rating Plate**

No.	Notes	MODEL INPUT AIRFLOW CABINET WIDTH CONFIGURATION	W801CA	W801CA	W801CA	W801CA	W801CA	
			050 3 14 MSA/MXA	075 4 17 MSA/MXA	075 4 21 MSA/MXA	100 5 21 MSA/MXA	125 5 24 MSA/MXA	
<b>PANELS, SHEET METAL, AND MISCELLANEOUS</b>								
1		Jacket Assembly	See Note 1					
1a		Star Bushing	45-18515-01	45-18515-01	45-18515-01	45-18515-01	45-18515-01	
1b		Insulation - Foil Back	68-104821-06	68-104821-06	68-104821-06	68-104821-06	68-104821-06	
2a		Top Plate Assembly (includes air deflector)	AS-104767-11	AS-104767-12	AS-104767-13	AS-104767-13	AS-104767-14	
2b		Intake Air Deflector (attached to top plate)	AE-101077-01	AE-101077-01	AE-101077-01	AE-101077-01	AE-101077-01	
2c		Left Jacket Baffle	AE-61606-01	AE-61606-01	AE-101899-02	AE-61668-01	AE-61665-01	
2d		Right Jacket Baffle	AE-61606-01	AE-61606-01	AE-101899-01	AE-61668-01	AE-61665-01	
2e		Rear Jacket Baffle	AE-61666-01	AE-61607-01	AE-61667-01	AE-61667-01	AE-61670-01	
2f		Heat Exchanger Bracket - Left Side	See Heat Exchanger/Burner/Manifold Group					
2g		Heat Exchanger Bracket - Right Side	See Heat Exchanger/Burner/Manifold Group					
3		Burner Compartment Door - Upper Door	AS-104911-34	AS-104911-31	AS-104911-32	AS-104911-32	AS-104911-33	
4		Blower/Filter Door - Lower Door	AS-104911-54	AS-104911-51	AS-104911-52	AS-104911-52	AS-104911-53	
		Door Filler (with integral molded alignment pins)	68-104374-31	68-104374-31	68-104374-31	68-104374-31	68-104374-31	
		Door Latch Kit (includes two of each: Latch Cam, Latch Handle, O-Ring, Retainer Screw)	PD644035	PD644035	PD644035	PD644035	PD644035	
		Sight Glass - Door	68-21893-04	68-21893-04	68-21893-04	68-21893-04	68-21893-04	
5		Control Board Mounting Plate	AE-104878-02	AE-104878-02	AE-104878-02	AE-104878-02	AE-104878-02	
6a		Junction Box	AE-61475-03	AE-61475-03	AE-61475-03	AE-61475-03	AE-61475-03	
6b		Juncton Box Cover	AE-61476-03	AE-61476-03	AE-61476-03	AE-61476-03	AE-61476-03	
8		Exhaust Collar	Available as Accessory RXGW-C01					
11a		Bottom Plate Assembly	AS-104968-11	AS-104968-12	AS-104968-13	AS-104968-13	AS-104968-14	
11b		Solid Bottom	AE-61874-01	AE-61874-02	AE-61874-03	AE-61874-03	AE-61874-04	
12		Blower Shelf Assembly (includes items 12a, 12b, 12d, 12e, 12f)	AS-104809-01	AS-104809-02	AS-104809-06	AS-104809-04	AS-104809-05	
12a		Bracket Door Mounting	AE-104332-04	AE-104332-01	AE-104332-02	AE-104332-02	AE-104332-03	
12b		Gasket - Blower Shelf	68-104382-04	68-104382-01	68-104382-02	68-104382-02	68-104382-03	
12c		Gasket - Door	AE-61951-53	AE-61951-54	AE-61951-55	AE-61951-55	AE-61951-56	
12d		Stripping - Angle Bracket	AE-61951-57	AE-61951-58	AE-61951-59	AE-61951-59	AE-61951-60	
12e		Stripping - Angle Bracket	AE-61951-62	AE-61951-62	AE-61951-62	AE-61951-62	AE-61951-62	
12f		Angle Bracket	AE-104758-01	AE-104758-02	AE-104758-03	AE-104758-03	AE-104758-04	
12g		Side Angle Assembly - Left (includes stripping)	AS-104923-01	AS-104923-01	AS-104923-01	AS-104923-01	AS-104923-01	
12h		Side Angle Assembly - Right (includes stripping)	AS-104923-02	AS-104923-02	AS-104923-02	AS-104923-02	AS-104923-02	
20a		Pressure Switch	See Electrical Group					
20b		Silicon Tubing - Pressure Switch	See Electrical Group					
21		Door Switch - Push Button	See Electrical Group					
22		Limit - Main Limit (Heat Exchanger Panel)	See Electrical Group					
23		Limit - Manual Reset (Burner Compartment)	See Electrical Group					
24		Transformer	See Electrical Group					
25		Induced Draft Blower (IDB)	See Electrical Group					
29		Wire Assembly (Junction Box to Twist Lock)	See Electrical Group					
30		Blower Assembly	See Blower Group					
30a		Control Mounting Plate	See Blower Group					
31a		Housing w/Blower Wheel	See Blower Group					
31b		Blower Wheel	See Blower Group					
40		Heat Exchanger Assembly	See Heat Exchanger/Burner/Manifold Group					
40a		NOx Burner Inserts	See Heat Exchanger/Burner/Manifold Group					
40b		NOx Insert Retainer	See Heat Exchanger/Burner/Manifold Group					
42		Burner Assembly	See Heat Exchanger/Burner/Manifold Group					
43		Manifold (w/o Orifices)	See Heat Exchanger/Burner/Manifold Group					
50		Gas Valve	See Gas Controls					
51		Integrated Furnace Control Board (IFC)	See Gas Controls					
52		Flame Sensor	See Gas Controls					
53		Spark Ignitor	See Gas Controls					
		Touch-up Paint - Private Label Gray (Aerosol)	523014	523014	523014	523014	523014	
		Touch-up Paint - Private Label Gray (Paint Pens)	523015	523015	523015	523015	523015	

No.	Notes	MODEL INPUT AIRFLOW CABINET WIDTH CONFIGURATION	W801CA	W801CA	W801CA	W801CA	W801CA	
			050 3 14 MSA/MXA	075 4 17 MSA/MXA	075 4 21 MSA/MXA	100 5 21 MSA/MXA	125 5 24 MSA/MXA	
<b>ELECTRIC GROUP</b>								
20a	Stk	Pressure Switch Assembly	42-106257-01	42-106257-01	42-106257-01	42-106257-01	42-106257-01	
20b		Silicon Tubing - Pressure Switch	AE-61737-27	AE-61737-27	AE-61737-03	AE-61737-03	AE-61737-23	
21		Door Switch - Push Button	42-22692-09	42-22692-09	42-22692-09	42-22692-09	42-22692-09	
22	Stk	Limit - Main Limit (Heat Exchanger Panel)	47-104990-01	47-104990-04	47-104990-04	47-104990-04	47-104990-04	
23	Stk	Limit - Manual Reset (Burner Compartment)	47-22861-03 (2)	47-22861-03 (2)	47-22861-03 (2)	47-22861-03 (2)	47-22861-03 (2)	
23a	Stk	Limit - Heat Assisted (Blower Housing)	47-22860-06	47-22860-06	47-22860-06	47-22860-06	47-22860-06	
		Bracket (Limit - Manual Reset)	See Heat Exchanger/Burner Manifold Group					
24	Stk	Transformer	46-24124-06	46-24124-06	46-24124-06	46-24124-06	46-24124-06	
25	Stk	IDB - Induced Draft Blower (with Gasket)	70-101087-01	70-101087-01	70-101087-01	70-101087-01	70-101087-01	
		Gasket - Induced Draft Blower	68-22850-01	68-22850-01	68-22850-01	68-22850-01	68-22850-01	
27	Stk	Capacitor - Blower Motor	N/A	N/A	N/A	N/A	N/A	
28		Strap - Blower Motor Capacitor	N/A	N/A	N/A	N/A	N/A	
		Wiring Harnesses - Blower Motor	See Blower Group					
		Wiring Harness Assembly (Twist-Lock)	45-104931-01	45-104931-01	45-104931-01	45-104931-01	45-104931-01	
29		Wire Assembly (Junction Box to Twist Lock)	45-24371-58	45-24371-58	45-24371-58	45-24371-58	45-24371-58	
52		Flame Sensor	See Gas Controls					
53		Spark Ignitor	See Gas Controls					

No.	Notes	MODEL INPUT AIRFLOW CABINET WIDTH CONFIGURATION			W801CA	W801CA	W801CA
					075 4 21 MSA/MXA	100 5 21 MSA/MXA	125 5 24 MSA/MXA
<b>BLOWER GROUP</b>							
30	Stk	Blower Assembly (Includes 27, 31a, 31b, 32, 33, 34, 35 and Blower Motor Harnesses):			AS-105809-15	AS-104614-10	AS-104614-11
30a		Control Mounting Plate			AE-104878-02	AE-104878-02	AE-104878-02
23a		Limit - Heat Assisted (Blower Housing)			See Electric Group		
31a		Housing w/Blower Wheel			70-104182-13	70-104182-17	70-104182-17
31b	Stk	Blower Wheel			PD703026	PD703028	PD703028
32	Stk	Blower Motor			51-106542-12	51-104356-08	51-104356-09
	Stk	Belly Band Motor Mount Kit (includes Motor Mount Arms, Belly Band and Mounting Hardware)			AS-53148-91	AS-53148-91	AS-53148-91
33		ECM Motor Mount (Belly Band)			70-19927-04	70-19927-04	70-19927-04
34		Motor Mount Arm (4)			70-19929-10	70-19929-10	70-19929-10
35		Screw - Motor Mount Arm (4)			63-101978-01	63-101978-01	63-101978-01
		Motor Wiring Harness - Speed Plug			45-103551-01	45-103551-01	45-103551-01
		Motor Wiring Harness - Power Plug			45-105282-01	45-105282-01	45-105282-01

No.	Notes	MODEL INPUT AIRFLOW CABINET WIDTH CONFIGURATION	W801CA	W801CA			
			050 3 14 MSA/MXA	075 4 17 MSA/MXA			
<b>BLOWER GROUP</b>							
30	Stk	Blower Assembly (Includes 27, 31a, 31b, 32, 33, 34, 35 and Blower Motor Harnesses)	AS-104614-07	AS-105809-14			
30a		Control Mounting Plate	AE-104878-02	AE-104878-02			
23a		Limit - Heat Assisted (Blower Housing)			See Electric Group		
31a		Housing w/Blower Wheel	70-104182-11	70-104182-13			
31b	Stk	Blower Wheel	PD703025	PD703026			
	Stk	Belly Band Motor Mount Kit (includes Motor Mount Arms, Belly Band and Mounting Hardware)	AS-53148-91	AS-53148-91			
33		ECM Motor Mount (Belly Band)	70-19927-04	70-19927-04			
34		Motor Mount Arm (4)	70-19929-10	70-19929-10			
35		Screw - Motor Mount Arm (4)	63-101978-01	63-101978-01			

No.	Notes	MODEL INPUT AIRFLOW CABINET WIDTH CONFIGURATION	W801CA	W801CA			
			050 3 14 MSA/MXA	075 4 17 MSA/MXA			
<b>BLOWER MOTOR GROUP</b>							
<b>IMPORTANT NOTE: The Blower Motor Wiring Harnesses may be different for different motor types/brands. These units were manufactured with various blower motor types/brands. All motors listed for a given model have equivalent performance. If you replace the original motor with a different type/brand, you may need to also order the wiring harnesses specified for the new motor.</b>							
<b>Endura Pro X-13 Motor/ Wiring Harnesses</b>							
32	Stk	Blower Motor - Endura Pro X-13	51-102172-06	N/A			
		Motor Wiring Harness - Speed Plug - SelecTech	45-103551-01	N/A			
		Motor Wiring Harness - Power Plug - SelecTech	45-105282-01	N/A			
<b>SelecTech Gen 3 Motor/ Wiring Harnesses</b>							
32	Stk	Blower Motor - SelecTech Gen 3	N/A	51-106541-06			
		Motor Wiring Harness - Speed Plug - SelecTech	N/A	45-103551-01			
		Motor Wiring Harness - Power Plug - SelecTech	N/A	45-105282-01			
<b>Ensite Motor/ Wiring Harnesses</b>							
32	Stk	Blower Motor - Ensite	51-107164-01	51-107164-06			
		Motor Wiring Harness - Speed Plug - Ensite	45-103551-02	45-103551-02			
		Motor Wiring Harness - Power Plug - Ensite	45-105282-03	45-105282-02			

No.	Notes	MODEL INPUT AIRFLOW CABINET WIDTH CONFIGURATION	W801CA	W801CA	W801CA	W801CA	W801CA
			050	075	075	100	125
			3	4	4	5	5
			14	17	21	21	24
			MSA/MXA	MSA/MXA	MSA/MXA	MSA/MXA	MSA/MXA
HEAT EXCHANGER, BURNER / MANIFOLD GROUP							
2f		Heat Exchanger Bracket - Left Side	AE-102680-01	AE-67846-02	AE-67846-02	AE-67846-02	AE-67846-02
2g		Heat Exchanger Bracket - Right Side	AE-102680-02	AE-67846-02	AE-67846-02	AE-67846-02	AE-67846-02
40	Stk	Heat Exchanger Assembly	AS-61579-14	AS-100560-01	AS-61579-12	AS-61579-04	AS-61579-05
40a		NOx Burner Inserts	AS-67875-01	AS-67875-01	AS-67875-01	AS-67875-01	AS-67875-01
			(2)	(3)	(3)	(4)	(5)
40b		NOx Insert Retainer	AE-67872-01	AE-67872-02	AE-67872-03	AE-67872-03	AE-67872-04
42		Burner Assembly (Burner, Support, Brackets, Cover and Bottom Plates, Ignitor Bracket)	AS-104944-01	AS-104944-02	AS-104944-02	AS-104944-03	AS-104944-04
42		Burner Assembly - NOx variants (Burner, Support, Brackets, Cover and Bottom Plates, Ignitor Bracket)	AS-104944-11	AS-104944-12	AS-104944-12	AS-104944-13	AS-104944-14
42a	Stk	Burner	AS-60993-02	AS-60993-03	AS-60993-03	AS-60993-04	AS-60993-05
42b		Burner Support	AE-60997-01	AE-60997-02	AE-60997-02	AE-60997-03	AE-60997-04
42c		Burner Support Bracket (2)	AE-61588-02	AE-61588-02	AE-61588-02	AE-61588-02	AE-61588-02
42d		Burner Cover Plate	AE-101080-06	AE-101080-02	AE-101080-02	AE-101080-03	AE-101080-04
42d		Burner Cover Plate (NOx variants)	AE-101080-16	AE-101080-12	AE-101080-12	AE-101080-13	AE-101080-14
42e		Burner Bottom Plate	AE-104927-01	AE-104927-02	AE-104927-02	AE-104927-03	AE-104927-04
42f		Igniter Bracket	AE-61885-02	AE-61885-02	AE-61885-02	AE-61885-02	AE-61885-02
42g		Screw - Burner Assembly	63-22153-05	63-22153-05	63-22153-05	63-22153-05	63-22153-05
			(13)	(14)	(14)	(15)	(16)
43		Manifold (w/o Orifices)	81-102427-01	81-102427-02	81-102427-02	81-102427-03	81-102427-04
		Burner Orifice - Natural Gas	See Orifice Selection Chart				
		Burner Orifice - LP	See Orifice Selection Chart				
		Number of Orifices	(2)	(3)	(3)	(4)	(5)

No.	Notes	MODEL GAS CODE	W801CA				
			JW				
GAS CONTROLS							
50	Stk	Gas Valve - Natural Gas	60-103901-02				
	Stk,2	Gas Valve - LP	See Note 2				
51	Stk	Integrated Furnace Control Board (IFC)	62-105217-01				
52	Stk	Flame Sensor	62-23543-01				
53	Stk	Spark Ignitor	62-24164-03				
	Stk	LP Conversion Kit - U.S./Canadian Models	FP-15				

**80% GAS FURNACE - ORIFICE SELECTION CHART - NATURAL GAS**

**CAUTION:** Selection of the correct Natural Gas Orifice requires the following information for the specific installation:

- 1) Altitude in of the installation (ft.).
- 2) Average energy content of the Natural Gas fuel from the local supplier (BTU/cu. ft.).

For detailed information and instructions for Orifice selection, see the Gas Furnace LP Conversion Kit Index 92-21519-70 and the latest edition of the National Fuel Gas Code Handbook, or the National Standard of Canada, Natural Gas and Propane Installation Code, CAN B149.1.

**CAUTION:** This information is provided for replacement purposes only. Conversion for operation at High Altitude must be done using the kit specified on the product specification sheet for the unit.

NOTE: This Orifice sizing chart is based on 25,000 BTU/HR per burner.

NOTE: Factory installed orifices are calculated and sized based on a Natural Gas heating value of 1075 BTU/cu. ft. and an elevation of 0 - 3000 ft.

Energy Value (BTU/cu. ft.)	Elevation (ft.)							
	0 - 1999	2000 - 2999	3000 - 3999	4000 - 4999	5000 - 5999	6000 - 6999	7000 - 7999	8000 - 8999
<b>850</b>	62-22175-38	62-22175-39	62-22175-40	62-22175-41	62-22175-41	62-22175-42	62-22175-42	62-22175-43
<b>900</b>	62-22175-40	62-22175-41	62-22175-42	62-22175-42	62-22175-42	62-22175-43	62-22175-43	62-22175-44
<b>975</b>	62-22175-41	62-22175-42	62-22175-42	62-22175-42	62-22175-43	62-22175-43	62-22175-44	62-22175-44
<b>1075</b>	62-22175-42	62-22175-42	62-22175-43	62-22175-43	62-22175-43	62-22175-44	62-22175-44	62-22175-45
<b>1170</b>	62-22175-43	62-22175-44	62-22175-44	62-22175-44	62-22175-45	62-22175-45	62-22175-46	62-22175-47

**80% GAS FURNACE - ORIFICE SELECTION CHART - LP**

**CAUTION:** Selection of the correct LP Orifice requires the altitude of the specific installation (ft.).

For detailed information and instructions for Orifice selection, see the Gas Furnace LP Conversion Kit Index 92-21519-70 and the latest edition of the National Fuel Gas Code Handbook (NFG), or the National Standard of Canada, Natural Gas and Propane Installation Code, CAN B149.1.

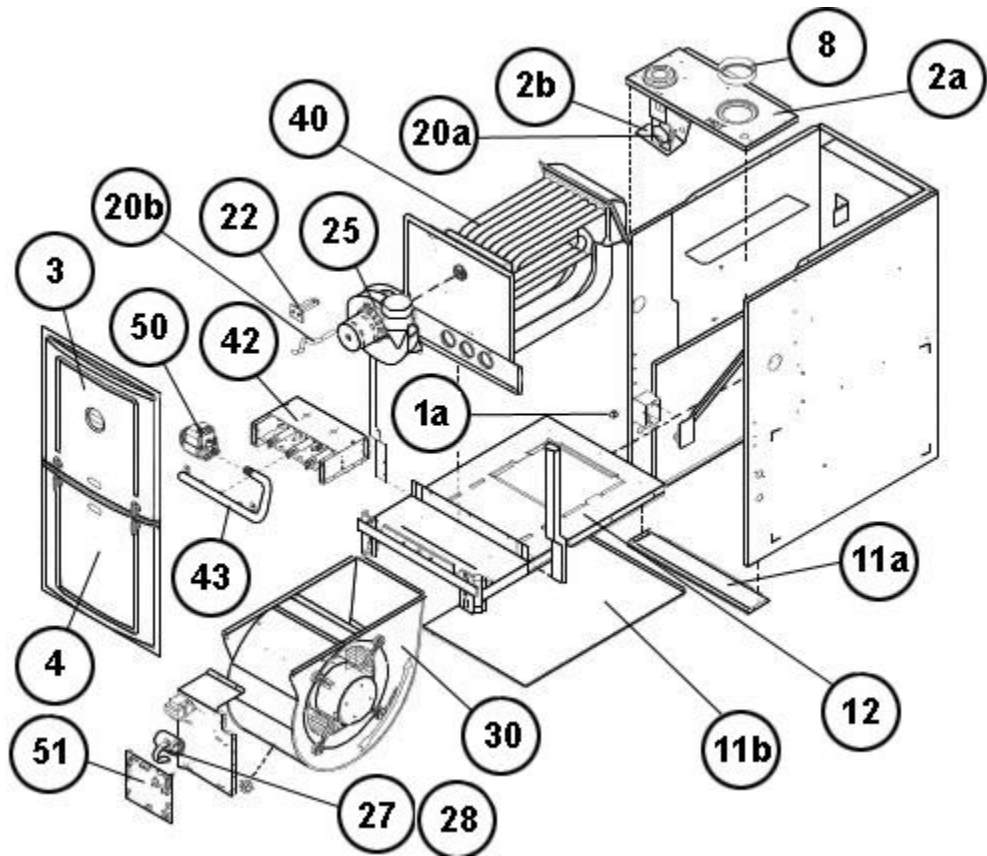
**CAUTION:** This information is provided for replacement purposes only. Conversion to LP or for operation at High Altitude should be done using the kit(s) specified on the product specification sheet for the unit.

NOTE: This Orifice sizing chart is based on 25,000 BTU/HR per burner. Also, the chart is developed using the specified pressure setting of 10 in. water column instead of the 11.0 in water column used by the NFG and CANB149.1.

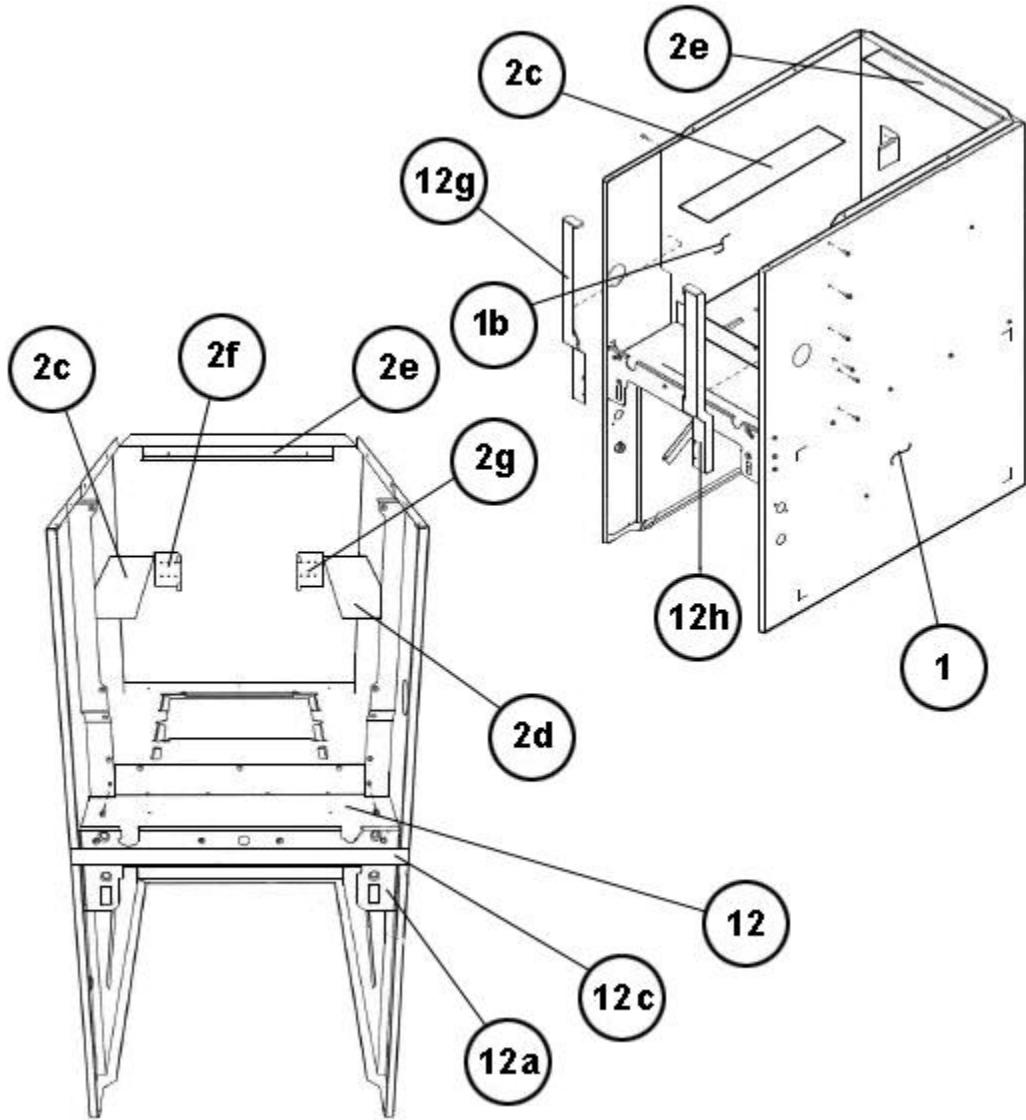
NOTE: Orifices supplied in the LP Conversion Kit are calculated and sized based on an altitude of 0 - 4000 ft.

Elevation (ft.)	Orifice							
0 - 2000	62-22175-54							
2001 - 3000	62-22175-54							
3001 - 4000	62-22175-54							
4001 - 5000	62-22175-54							
5001 - 6000	62-22175-54							
6001 - 7000	62-22175-54							
7001 - 8000	62-22175-55							
8001 - 9000	62-22175-55							
9001 - 10000	62-22175-55							

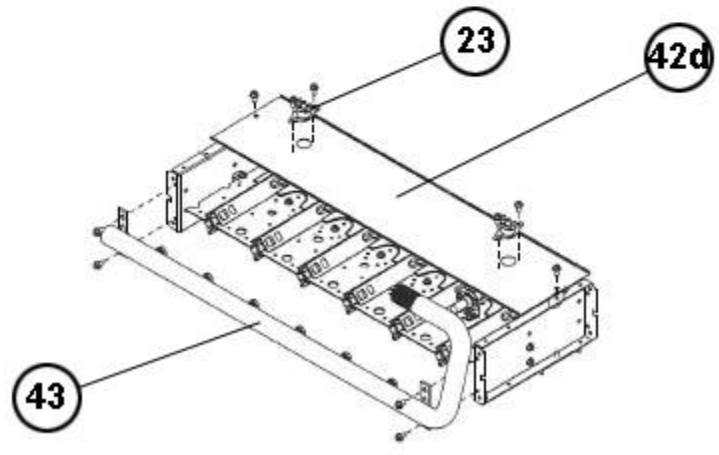
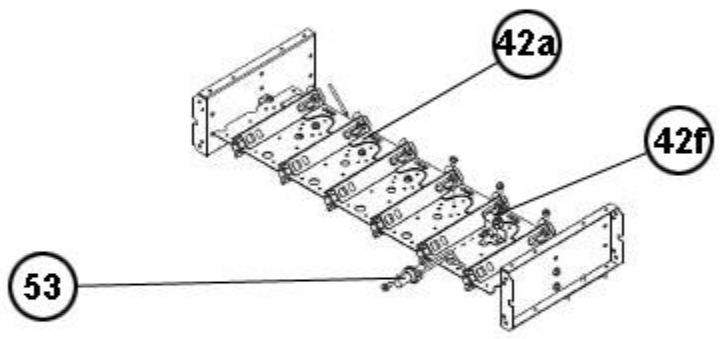
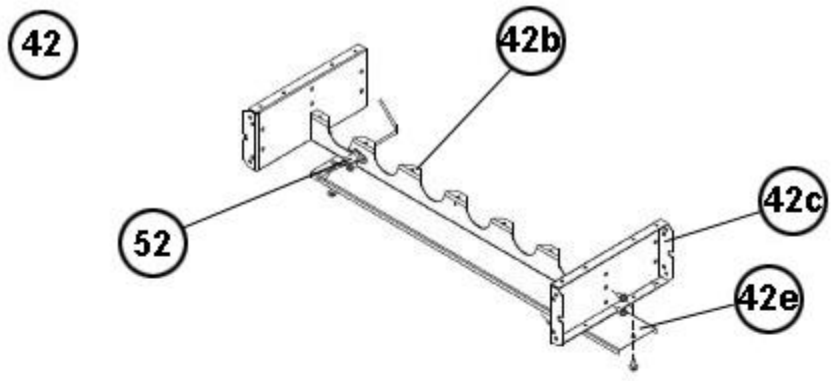




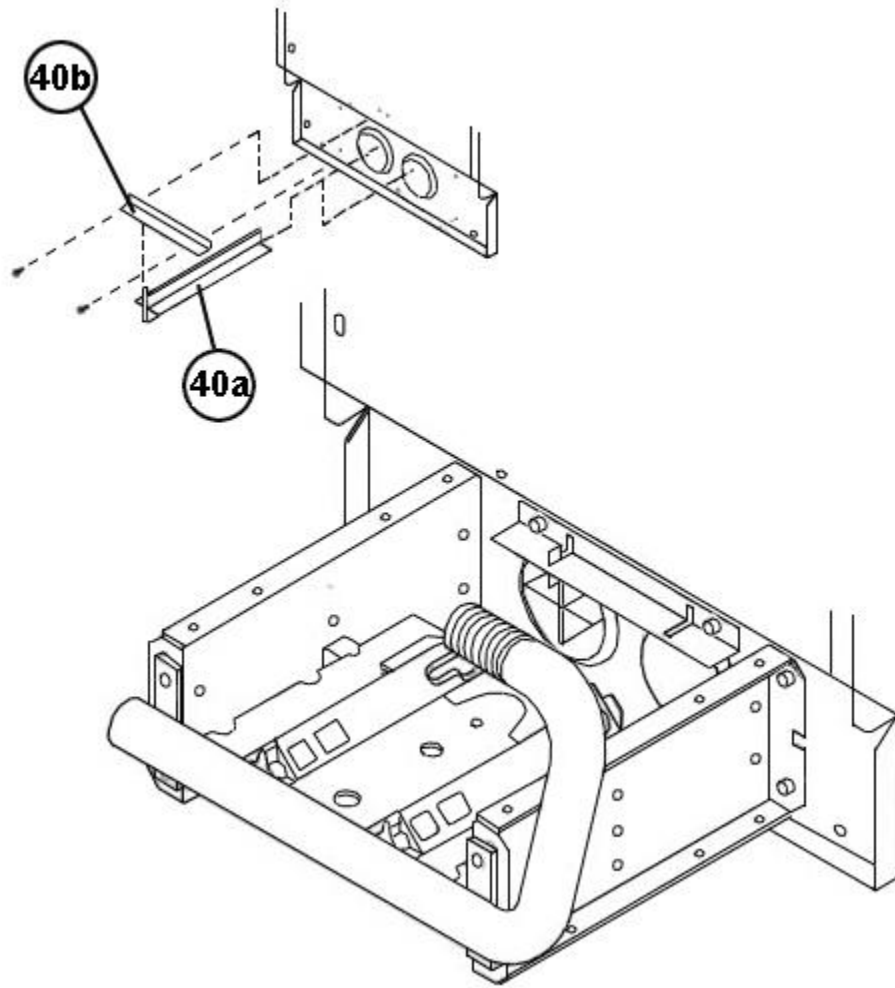
Exploded View



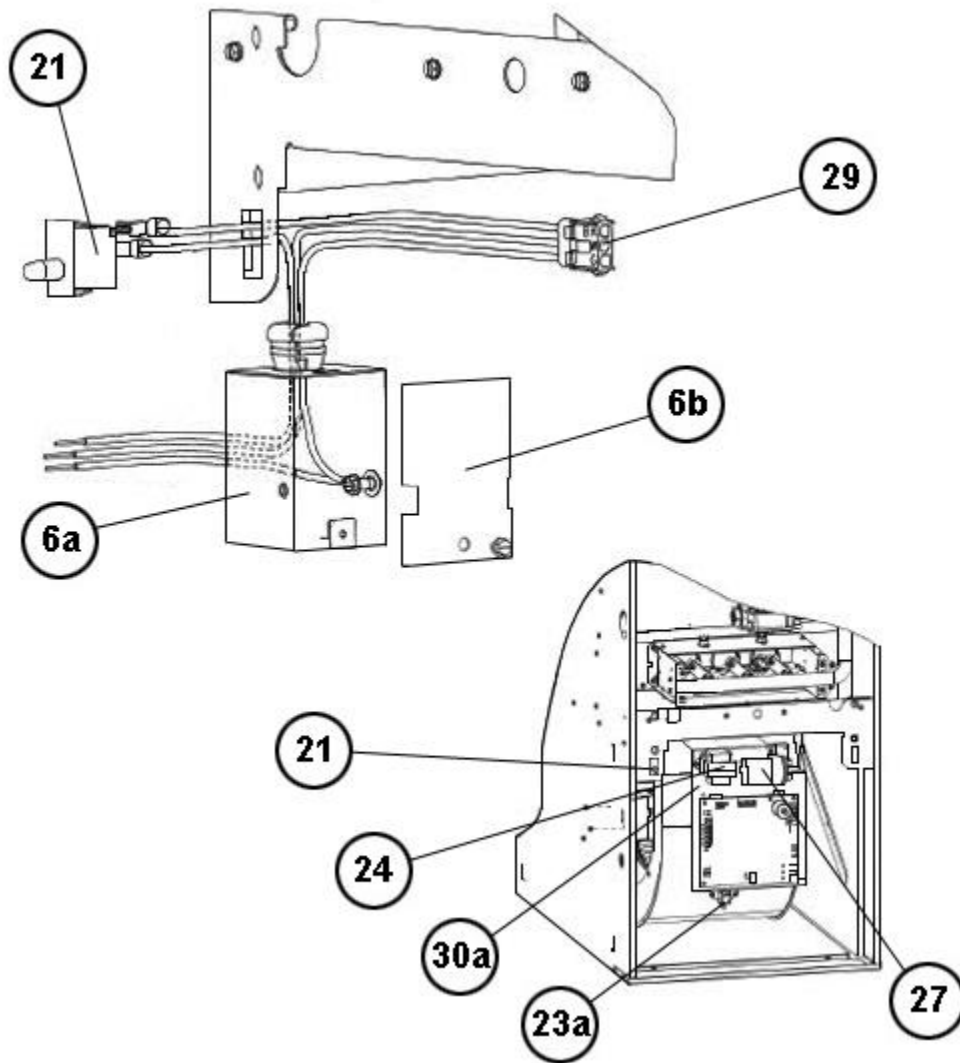
Cabinet Interior



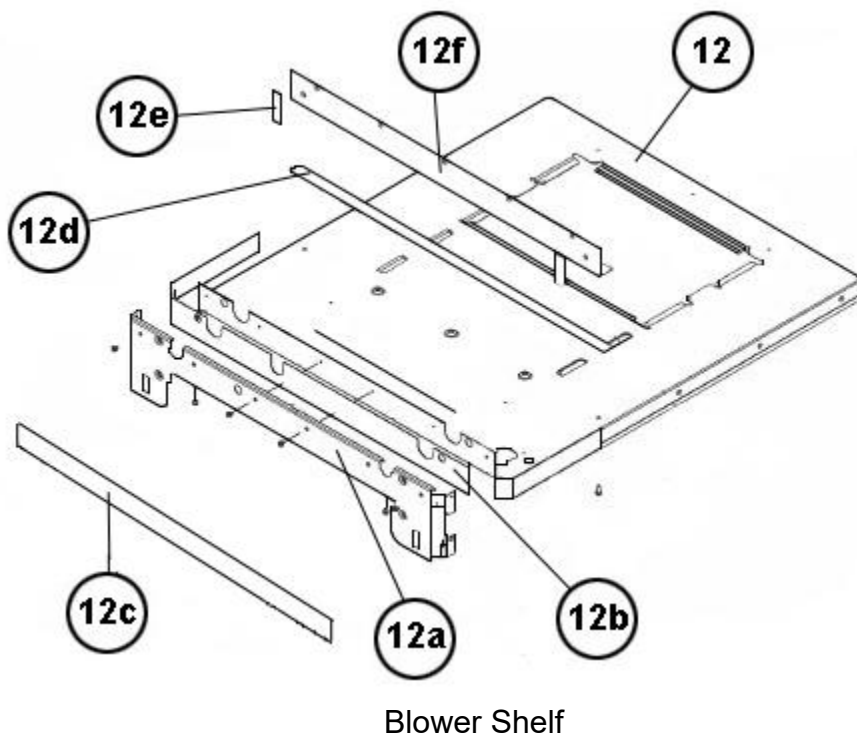
Burner Assembly



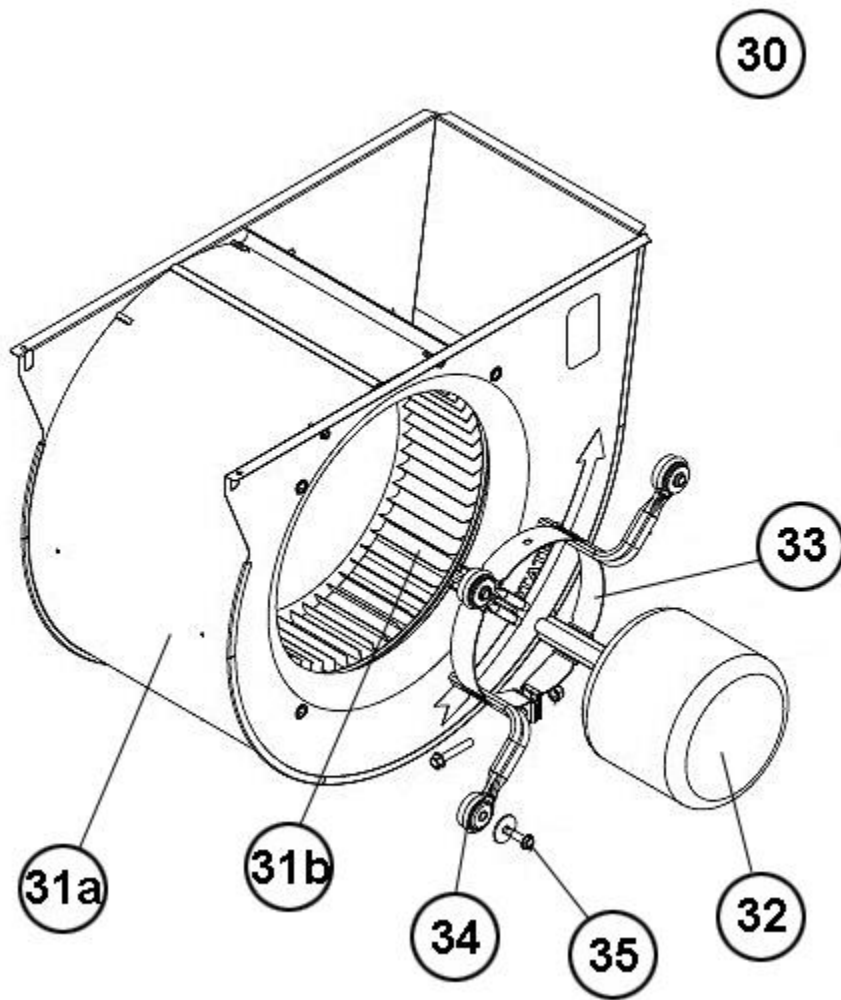
NOx Insert Assembly



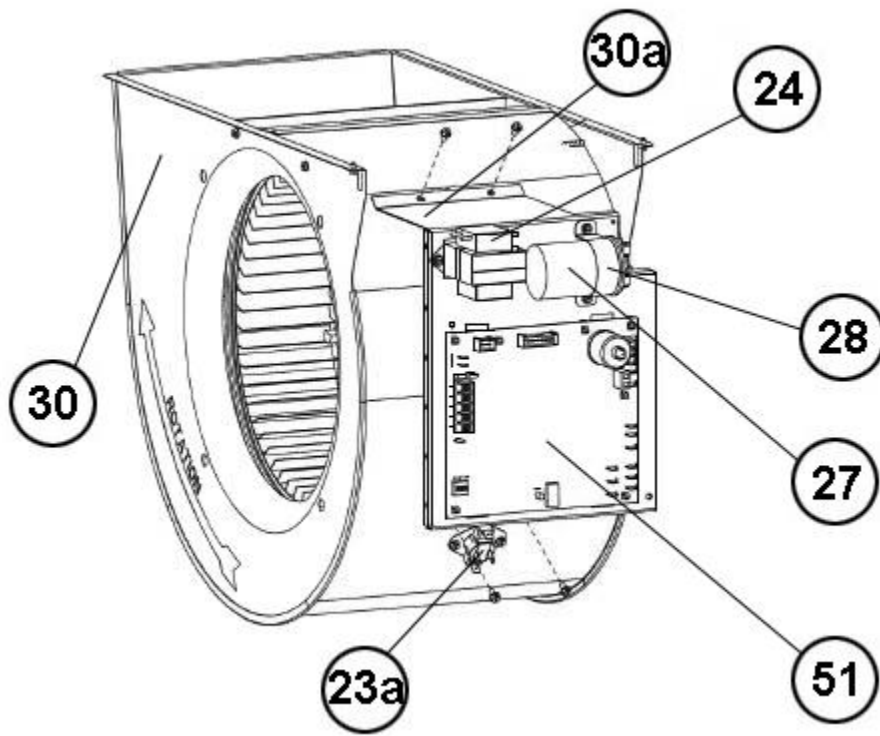
Junction Box



Blower Shelf



Blower Assembly



Control Board Mounting



# NOTES

- Stk It is recommended that stock be maintained for this part.  
N/A Not Applicable
- 1 Jacket is not available for replacement.
  - 2 Order Gas Valve for Natural Gas along with LP Conversion Kit.

**DISCLAIMER:** This document is intended to provide general replacement parts information to aid qualified service personnel in the repair of these models. The complete Model and Serial Number of the unit under repair should be specified when selecting and ordering replacement parts. Specifications and illustrations are subject to change without notice. Document 92-42803-W801C-MSA, MXA supersedes all previous parts lists for these models. See <http://www.rheempartslists.net/92-42803-W801C-MSA.MXA> for the latest revision of this document. The manufacturer assumes no obligation for errors or omissions. Service personnel must verify the proper and safe operation of equipment after the replacement of any original components.