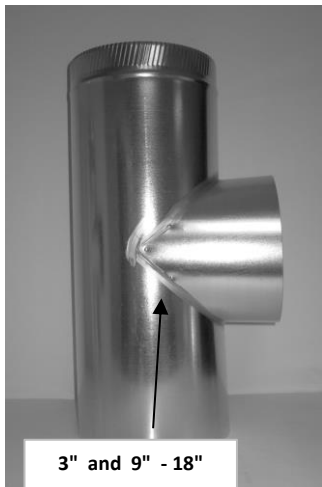
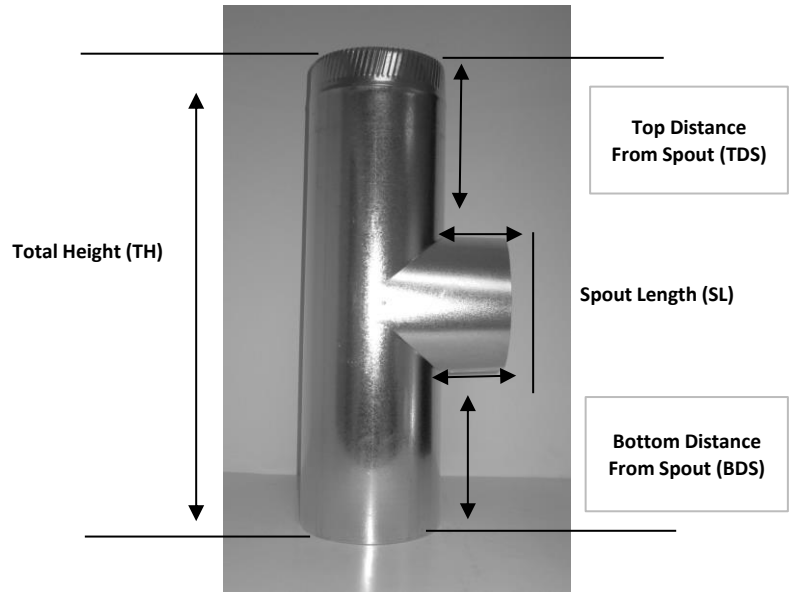
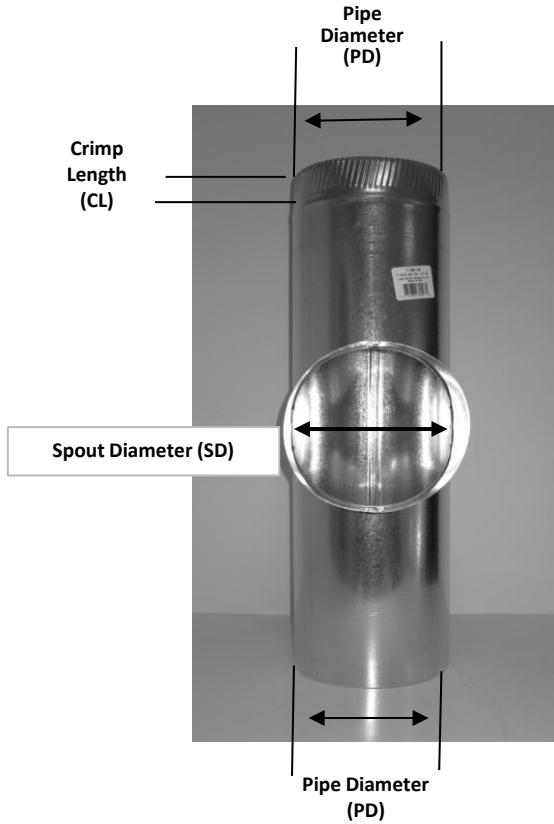


Gray Metal Products - Product Data Sheet (PDS)

Product No. 304-24
Tee - Pipe Style

Body: 26 Gauge

All measurements are in inches



Part #	TH	PD	SPD	SD	TDS	BDS	CL
3-304-24	24"	3"	2 1/8"	3"	10 3/8"	10 1/2"	1 1/2"
4-304-24	24"	4"	2 5/8"	4"	9 7/8"	10"	1 1/2"
5-304-24	24"	5"	2 3/4"	5"	9 3/4"	9 1/4"	1 1/2"
6-304-24	24"	6"	2 1/2"	6"	8 7/8"	8 7/8"	1 1/2"
7-304-24	24"	7"	3"	7"	8 1/8"	8 3/4"	1 1/2"
8-304-24	24"	8"	3"	8"	8 1/4"	7 1/2"	1 1/2"
9-304-24	24"	9"	3"	9"	7 3/4"	7 1/8"	1 1/2"
10-304-24	24"	10"	3 5/8"	10"	7"	7"	1 1/2"
12-304-24	24"	12"	3 1/8"	12"	6 1/8"	6 3/4"	1 1/2"
14-304-24	24"	14"	3"	14"	5"	5 1/8"	1 1/2"
16-304-24	24"	16"	3"	16"	4 1/4"	4 1/2"	1 1/2"
18-304-24	24"	18"	3 5/8"	18"	3 1/8"	3 1/8"	1 1/2"

Tolerance = plus or minus .125" (1/8")