

CMH Series

SPECIFICATIONS

- Rifled copper tubing, enhanced aluminum fins
- Immersion-tested at 500 psi, then nitrogen-pressurized and sealed
- Left-hand refrigerant and plumbing connections
- Externally mounted flowrater body with Schrader valve
- Heavy duty plastic drain pans on all models
- AHRI certifiable with certain brands of A/C and heat pump systems
- UL listed for use with both R-22 and R-410a when proper metering device is used

For the latest AHRI system matches,
please visit www.marsdeliversratings.com
or AHRIdirectory.com

Comfort-Cire[®]
Century

MANUFACTURED HOUSING COILS



*Representative drawing only.
Some models may vary in appearance.*

TXV for 1.5 - 2.5 Ton H4TXV01

TXV for 3 - 4 Ton H4TXV02

TXV for 5 Ton H4TXV03



Warranty—6 years on parts, 10 years when installed
as a part of a residential AHRI matched system
(Some limitations apply; see printed warranty for details.)
www.marsdelivers.com

A/C MATCHES

COMFORT-AIRE/CENTURY A/C MATCHES		SEER	EER	CAPACITY	HSPF	TXV
OUTDOOR MODEL	COIL MODEL					
RSG1318S1M	CMH18/36PM1M	13.00	11.00	17600	N/A	N/A
RSG1324S1M	CMH18/36PM1M	13.00	11.00	22800	N/A	N/A
RSG1330S1M	CMH18/36PM1M	13.00	11.00	28000	N/A	N/A
RSG1336S1M	CMH18/36PM1M+TXV	13.00	10.00	33400	N/A	H4TXV02
RSG1342S1M	CMH42/48PM1M	13.00	10.50	39000	N/A	N/A
RSG1348S1M	CMH42/48PM1M	13.00	10.00	44000	N/A	N/A
RSG1418S1M	CMH18/36PM1M	14.00	12.20	18000	N/A	N/A
RSG1424S1M	CMH18/36PM1M	14.00	12.20	23000	N/A	N/A
RSG1430S1M	CMH36PM2M	14.00	12.20	28000	N/A	N/A
RSG1436S1M	CMH36PM2M	14.00	12.20	34000	N/A	N/A
RSG1418S1P	CMH18/36PM1M+TXV+TD	14	12.2	18000	N/A	H4TXV01
RSG1424S1P	CMH24/30PM1M+TD	14	12.2	23000	N/A	H4TXV01
RSG1424S1P	CMH24/30PM1M+TXV+TD	14.5	12.2	23000	N/A	H4TXV01
RSG1424S1P	CMH18/36PM1M+TD	14	12.2	23000	N/A	H4TXV01
RSG1424S1P	CMH18/36PM1M+TXV+TD	14.5	12.2	23000	N/A	H4TXV01
RSG1430S1P	CMH24/30PM1M+TXV+TD	14	12.2	28000	N/A	H4TXV01
RSG1430S1P	CMH36PM2M+TXV+TD	14.5	12.2	28000	N/A	H4TXV01
RSG1430S1P	CMH18/36PM1M+TXV+TD	14	12.2	28000	N/A	H4TXV01
RSG1436S1P	CMH36PM2M+TXV+TD	14.5	12.2	34000	N/A	H4TXV02
RSG1442S1P	CMH42/48PM2M+TXV+TD	14	12.2	40000	N/A	H4TXV02
RSG1448S1P	CMH48PM2M+TXV+TD	14	12	45500	N/A	H4TXV02

†(In reference to coil model number) NOTE: 21" coil for use in EB/EBE-Series downflow application W 3500-8602 cabinet extension.
Not for use in DGAA/DGAX-Series gas furnace.



HP MATCHES

COMFORT-AIRE/CENTURY HP MATCHES		SEER	EER	CAPACITY	HSPF	TXV
OUTDOOR MODEL	COIL MODEL					
HRG1418S1M	CMH18/36PM1M+TXV	14	12.2	18000	8.2	H4TXV01
HRG1424S1M	CMH24/30PM1M	14	12	23400	8.2	N/A
HRG1430S1M	CMH24/30PM1M+TXV	14	12	28600	8.2	H4TXV01
HRG1436S1M	CMH36PM2M+TXV	14	12.2	34000	8.2	H4TXV02
HRG1442S1M	*CMH48PM2M+TXV	14	11	40000	8.5	H4TXV02
HRG1418S1P	CMH18/36PM1M+TXV+TD	14	12.2	15700	8.2	H4TXV01
HRG1424S1P	CMH18/36PM1M+TXV+TD	14	12.2	18000	8.5	H4TXV01
HRG1424S1P	CMH24/30PM1M+TXV+TD	14	12.2	20600	8.5	H4TXV01
HRG1430S1P	CMH18/36PM1M+TXV+TD	14	12	26400	8.5	H4TXV01
HRG1430S1P	CMH24/30PM1M+TXV+TD	14	12	26400	8.5	H4TXV01
HRG1436S1P	CMH36PM2M+TXV+TD	14	11.7	30200	8.2	H4TXV02
HRG1442S1P	CMH42/48PM2M+TXV+TD	14.5	12	37400	8.5	H4TXV02
HRG1448S1P	CMH48PM2M+TXV+TD	15	12.2	40000	8.2	H4TXV02

*(In reference to coil model number) NOTE: 21" coil for use in EB/EBE-Series downflow application W 3500-8602 cabinet extension.
Not for use in DGAA/DGAX-Series gas furnace.



For the latest AHRI system matches,
please visit www.marsdeliversratings.com
or AHRI.directory.com

CMH Series

DIMENSIONS

Coil Model	Nominal Tonnage	Dimensions			Weight	Pallet Qty	R-22 Piston
		Pan Widths (W)"	Pan Depth (D)"	Coil Height (H)"			
CMH18/36PM1M	1.5 - 3	18"	19-1/2"	17"	32	8	0.067
CMH24/30PM1M	2 - 2.5	18"	19-1/2"	19"	35	8	0.059
CMH36PM2M	2.5 - 3	18"	19-1/2"	19"	45	8	0.067
CMH42/48PM1M	3.5 - 4	18"	19-1/2"	19"	35	8	0.076
CMH42/48PM2M	3.5 - 4	18"	19-1/2"	19"	45	8	0.076
CMH48PM2M	3.5 - 4	18"	19-1/2"	21" [*]	48	4	0.076

^{*}(In reference to coil model number) NOTE: 21" coil for use in EB/EBE-Series downflow application W 3500-8602 cabinet extension.
Not for use in DGAA/DGAX-Series gas furnace.

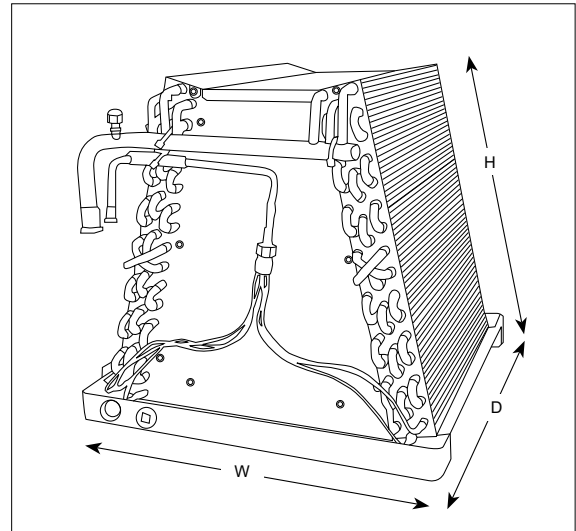
SERVICE COIL DIMENSIONS

Coil Model	Nominal Tonnage	Dimensions			Weight	Pallet Qty	R-22 Piston
		Pan Widths (W)"	Pan Depth (D)"	Coil Height (H)"			
CMH18/24PM3M	1.5 - 2	18"	19.5"	11"	22	8	0.053
CMH36PM3M	3	18"	19.5"	15"	28	8	0.073
CMH42/60PM3M	3.5 - 5	18"	19.5"	19"	45	8	*0.093

Coils are shipped with R-410A pistons already installed. *Same Piston is used for R-22 and R-410A
These are Replacement Service Coils "Only" and are not RATED. For Manufactured Housing Use Only

PISTONS

Description	Piston Size	Part Number	Tonnage Outdoor Unit
R-22 Pistons	41	176799941	12
	53	176799953	18
	59	176799959	24
	67	176799967	30
	73	176799973	36
	80	176799980	42
	84	176799984	48
R-410A Pistons	93	176799993	60
	41	176799941	12
	49	176799949	18
	53	176799953	24
	59	176799959	30
	67	176799967	36
	73	176799973	42
76	176799976	48	
93	176799993	60	



"This product complies with all California product labeling laws including, but not limited to, the Safe Drinking Water and Toxic Enforcement Act of 1986, more commonly known as Proposition 65."

Due to ongoing product improvements, specifications and dimensions are subject to change and correction without notice or incurring obligations. Determining the application and suitability for use of any product is the responsibility of the installer. Additionally, the installer is responsible for verifying dimensional data on the actual product prior to beginning any installation preparations.

Third party incentive and rebate programs have precise requirements as to product performance and certification. All products meet applicable regulations in effect on date of manufacture; however, certifications are not necessarily granted for the life of a product. Therefore, it is the responsibility of the applicant to determine whether a specific model qualifies for these incentive/rebate programs.