

CMH Series

Extended Ratings

SPECIFICATIONS

- Rifled copper tubing, enhanced aluminum fins
- Immersion-tested at 500 psi, then nitrogen-pressurized and sealed
- Left-hand refrigerant and plumbing connections
- Externally mounted flowrater body with Schrader valve
- Heavy duty plastic drain pans on all models
- AHRI certifiable with certain brands of A/C and heat pump systems
- UL listed for use with both R-22 and R-410a when proper metering device is used

MANUFACTURED HOUSING COILS



*Representative drawing only.
Some models may vary in appearance.*

TXV for 1.5 - 2.5 Ton H4TXV01
TXV for 3 - 4 Ton H4TXV02
TXV for 5 Ton H4TXV03



Comfort-Cire[®]
Century

Warranty—6 years on parts, 10 years when installed
as a part of a residential AHRI matched system
(Some limitations apply; see printed warranty for details.)
www.marsdelivers.com

A/C MATCHES

AHRI Reference Number	Outdoor Unit Brand Name	Outdoor Unit Model Number	Indoor Unit Brand Name	Indoor Evaporator	BTUH	SEER	EER	CFM	TXV Needed	Sold In	Region
205962809	AMANA	ASX130181D*	COMFORT-AIRE	CMH18/24PM3M + TXV + TD	17900	13.00	11.00		H4TXV01	USA, Canada	North
205962812	AMANA	ASX130181D*	COMFORT-AIRE	CMH18/36PM1M + TD	18200	13.00	11.00			USA, Canada	North
205962810	AMANA	ASX130181D*	COMFORT-AIRE	CMH24/30PM1M + TD	18200	13.00	11.00			USA, Canada	North
205962811	AMANA	ASX130181D*	COMFORT-AIRE	CMH36PM2M + TD	18200	13.00	11.00			USA, Canada	North
205962826	AMANA	ASX130181D*	COMFORT-AIRE	CMH36PM3M + TD	18200	13.00	11.00			USA, Canada	North
205962813	AMANA	ASX130241C*	COMFORT-AIRE	CMH18/24PM3M + TXV + TD	22200	13.00	11.00		H4TXV01	USA, Canada	North
205962816	AMANA	ASX130241C*	COMFORT-AIRE	CMH18/36PM1M + TD	23000	13.00	11.00			USA, Canada	North
205962814	AMANA	ASX130241C*	COMFORT-AIRE	CMH24/30PM1M + TD	23000	13.00	11.00			USA, Canada	North
205962815	AMANA	ASX130241C*	COMFORT-AIRE	CMH36PM2M + TD	23000	13.00	11.00			USA, Canada	North
205962827	AMANA	ASX130241C*	COMFORT-AIRE	CMH36PM3M + TD	22800	13.00	11.00			USA, Canada	North
205962819	AMANA	ASX130301C*	COMFORT-AIRE	CMH18/36PM1M + TD	27800	13.00	11.00			USA, Canada	North
205962817	AMANA	ASX130301C*	COMFORT-AIRE	CMH24/30PM1M + TD	27800	13.00	11.00			USA, Canada	North
205962818	AMANA	ASX130301C*	COMFORT-AIRE	CMH36PM2M + TD	27800	13.00	11.00			USA, Canada	North
205962828	AMANA	ASX130301C*	COMFORT-AIRE	CMH36PM3M + TD	27600	13.00	11.00			USA, Canada	North
205962821	AMANA	ASX130361D*	COMFORT-AIRE	CMH18/36PM1M + TD	33600	13.00	11.00			USA, Canada	North
205962820	AMANA	ASX130361D*	COMFORT-AIRE	CMH36PM2M + TXV + TD	33600	13.00	11.00		H4TXV02	USA, Canada	North
205962829	AMANA	ASX130361D*	COMFORT-AIRE	CMH36PM3M + TD	33400	13.00	11.00			USA, Canada	North
205962822	AMANA	ASX130421C*	COMFORT-AIRE	CMH42/48PM1M + TXV + TD	39500	13.00	11.00		H4TXV02	USA, Canada	North
205962830	AMANA	ASX130421C*	COMFORT-AIRE	CMH42/48PM2M + TD	40000	13.00	11.00			USA, Canada	North
205962823	AMANA	ASX130421C*	COMFORT-AIRE	CMH48PM2M + TD	40000	13.00	11.00			USA, Canada	North
205962824	AMANA	ASX130481C*	COMFORT-AIRE	CMH42/48PM1M + TXV + TD	44000	13.00	11.00		H4TXV02	USA, Canada	North
205962825	AMANA	ASX130481C*	COMFORT-AIRE	CMH48PM2M + TD	45500	13.00	11.00			USA, Canada	North

[†](In reference to coil model number) NOTE: 21" coil for use in EB/EBE-Series downflow application W 3500-8602 cabinet extension.
Not for use in DGAA/DGAX-Series gas furnace.

A/C MATCHES

AHRI Reference Number	Outdoor Unit Brand Name	Outdoor Unit Model Number	Indoor Unit Brand Name	Indoor Evaporator	BTUH	SEER	EER	CFM	TXV Needed	Sold In	Region
205198575	BRYANT HEATING AND COOLING SYSTEMS	BA14NA018*0**A*	COMFORT-AIRE	CMH18/36PM1M + TXV + TD	17500	14.00	11.50	525	H4TXV01	USA, Canada	South-east and North
205198578	BRYANT HEATING AND COOLING SYSTEMS	BA14NA018*0**A*	COMFORT-AIRE	CMH24/30PM1M + TXV + TD	17500	14.00	11.70	525	H4TXV01	USA, Canada	South-east and North
205198582	BRYANT HEATING AND COOLING SYSTEMS	BA14NA024*0**A*	COMFORT-AIRE	CMH18/36PM1M + TXV + TD	22600	14.00	11.70	700	H4TXV01	USA, Canada	South-east and North
205198585	BRYANT HEATING AND COOLING SYSTEMS	BA14NA024*0**A*	COMFORT-AIRE	CMH24/30PM1M + TXV + TD	22600	14.00	11.70	700	H4TXV01	USA, Canada	South-east and North
205198587	BRYANT HEATING AND COOLING SYSTEMS	BA14NA030*0**A*	COMFORT-AIRE	CMH18/36PM1M + TXV + TD	28400	14.00	12.20	1000	H4TXV01	USA, Canada	South-east and North
205198589	BRYANT HEATING AND COOLING SYSTEMS	BA14NA030*0**A*	COMFORT-AIRE	CMH24/30PM1M + TXV + TD	28400	14.00	12.20	1000	H4TXV01	USA, Canada	South-east and North
205198590	BRYANT HEATING AND COOLING SYSTEMS	BA14NA036*0**A*	COMFORT-AIRE	CMH36PM2M + TXV + TD	34400	14.00	12.00	1050	H4TXV02	USA, Canada	South-east and North
205198592	BRYANT HEATING AND COOLING SYSTEMS	BA14NA042*0**A*	COMFORT-AIRE	CMH42/48PM2M + TXV + TD	40000	14.00	12.20	1250	H4TXV02	USA, Canada	South-east and North
205198608	BRYANT HEATING AND COOLING SYSTEMS	BA14NA048*0**A*	COMFORT-AIRE	CMH42/48PM2M + TXV + TD	43500	14.00	11.00	1500	H4TXV02	USA, Canada	South-east and North
205198594	CARRIER	24ACC418A*030*	COMFORT-AIRE	CMH18/36PM1M + TXV + TD	17500	14.00	11.50	525	H4TXV01	USA, Canada	South-east and North
205198595	CARRIER	24ACC418A*030*	COMFORT-AIRE	CMH24/30PM1M + TXV + TD	17500	14.00	11.70	525	H4TXV01	USA, Canada	South-east and North
205198597	CARRIER	24ACC424A*030*	COMFORT-AIRE	CMH18/36PM1M + TXV + TD	22600	14.00	11.70	700	H4TXV01	USA, Canada	South-east and North
205198598	CARRIER	24ACC424A*030*	COMFORT-AIRE	CMH24/30PM1M + TXV + TD	22600	14.00	11.70	700	H4TXV01	USA, Canada	South-east and North
205198600	CARRIER	24ACC430A*030*	COMFORT-AIRE	CMH18/36PM1M + TXV + TD	28400	14.00	12.20	1000	H4TXV01	USA, Canada	South-east and North
205198602	CARRIER	24ACC430A*030*	COMFORT-AIRE	CMH24/30PM1M + TXV + TD	28400	14.00	12.20	1000	H4TXV01	USA, Canada	South-east and North
205198603	CARRIER	24ACC436A*030*	COMFORT-AIRE	CMH36PM2M + TXV + TD	34400	14.00	12.00	1050	H4TXV02	USA, Canada	South-east and North
205198605	CARRIER	24ACC442A*030*	COMFORT-AIRE	CMH42/48PM2M + TXV + TD	40000	14.00	12.20	1250	H4TXV02	USA, Canada	South-east and North
205198606	CARRIER	24ACC448A*030*	COMFORT-AIRE	CMH48PM2M + TXV + TD	43000	14.00	11.00	1500	H4TXV02	USA, Canada	South-east and North

†(In reference to coil model number) NOTE: 21" coil for use in EB/EBE-Series downflow application W 3500-8602 cabinet extension.
Not for use in DGAA/DGAX-Series gas furnace.

A/C MATCHES

AHRI Reference Number	Outdoor Unit Brand Name	Outdoor Unit Model Number	Indoor Unit Brand Name	Indoor Evaporator	BTUH	SEER	EER	CFM	TXV Needed	Sold In	Region
205198610	CARRIER	24ACC448A*030*	COMFORT-AIRE	CMH42/48PM2M + TXV + TD	43500	14.00	11.00	1500	H4TXV02	USA, Canada	South-east and North
202533897	CENTURY	RSG1318S1M	CENTURY	CMH18/36PM1M + TD	17600	13.00	11.00	600		USA, Canada	North
202533898	CENTURY	RSG1324S1M	CENTURY	CMH18/36PM1M + TD	22800	13.00	11.00	800		USA, Canada	North
202533899	CENTURY	RSG1330S1M	CENTURY	CMH18/36PM1M + TD	28000	13.00	11.00	1000		USA, Canada	North
202533900	CENTURY	RSG1336S1M	CENTURY	CMH18/36PM1M + TXV + TD	33400	13.00	10.00	1200	H4TXV02	USA, Canada	North
202533901	CENTURY	RSG1342S1M	CENTURY	CMH42/48PM1M + TD	39000	13.00	10.50	1350		USA, Canada	North
202533902	CENTURY	RSG1348S1M	CENTURY	CMH42/48PM1M + TD	44000	13.00	10.00	1550		USA, Canada	North
202533903	CENTURY	RSG1418S1M	CENTURY	CMH18/36PM1M + TD	18000	14.00	12.20	600		USA, Canada	All
202533904	CENTURY	RSG1424S1M	CENTURY	CMH18/36PM1M + TD	23000	14.00	12.20	800		USA, Canada	All
202533905	CENTURY	RSG1430S1M	CENTURY	CMH36PM2M + TD	28000	14.00	12.20	1000		USA, Canada	All
202533906	CENTURY	RSG1436S1M	CENTURY	CMH36PM2M + TD	34000	14.00	12.20	1200		USA, Canada	All
204379630	CENTURY	RSG1418S1P	CENTURY	CMH18/36PM1M + TXV + TD	18000	14.00	12.20	600	H4TXV01	USA, Canada	All
204379631	CENTURY	RSG1424S1P	CENTURY	CMH24/30PM1M + TD	23000	14.00	12.20	800		USA, Canada	All
204379632	CENTURY	RSG1424S1P	CENTURY	CMH24/30PM1M + TXV + TD	23000	14.50	12.20	800	H4TXV01	USA, Canada	All
204379633	CENTURY	RSG1424S1P	CENTURY	CMH18/36PM1M + TD	23000	14.00	12.20	800		USA, Canada	All
204379634	CENTURY	RSG1424S1P	CENTURY	CMH18/36PM1M + TXV + TD	23000	14.50	12.20	800	H4TXV01	USA, Canada	All
204379635	CENTURY	RSG1430S1P	CENTURY	CMH24/30PM1M + TXV + TD	28000	14.00	12.20	1000	H4TXV01	USA, Canada	All
204379636	CENTURY	RSG1430S1P	CENTURY	CMH36PM2M + TXV + TD	28000	14.50	12.20	1000	H4TXV01	USA, Canada	All
204379637	CENTURY	RSG1430S1P	CENTURY	CMH18/36PM1M + TXV + TD	28000	14.00	12.20	1000	H4TXV01	USA, Canada	All
204379638	CENTURY	RSG1436S1P	CENTURY	CMH36PM2M + TXV + TD	34000	14.50	12.20	1200	H4TXV02	USA, Canada	All
204388531	CENTURY	RSG1442S1P	CENTURY	CMH42/48PM2M + TXV + TD	40000	14.00	12.20	1400	H4TXV02	USA, Canada	All
204389009	CENTURY	RSG1448S1P	CENTURY	CMH48PM2M + TXV + TD	45500	14.00	12.00	1650	H4TXV02	USA, Canada	All

**(In reference to coil model number) NOTE: 21" coil for use in EB/EBE-Series downflow application W 3500-8602 cabinet extension. Not for use in DGAA/DGAX-Series gas furnace.*

A/C MATCHES

AHRI Reference Number	Outdoor Unit Brand Name	Outdoor Unit Model Number	Indoor Unit Brand Name	Indoor Evaporator	BTUH	SEER	EER	CFM	TXV Needed	Sold In	Region
204417191	CHAMPION HEATING AND COOLING	TW4B1821	COMFORT-AIRE	CMH18/36PM1M + TD	18000	14.00	12.20	600		USA, Canada	All
204417192	CHAMPION HEATING AND COOLING	TW4B1821	COMFORT-AIRE	CMH18/36PM1M + TXV + TD	18000	14.00	12.20	600	H4TXV01	USA, Canada	All
204417193	CHAMPION HEATING AND COOLING	TW4B1821	COMFORT-AIRE	CMH24/30PM1M + TD	18000	14.00	12.20	600		USA, Canada	All
204417195	CHAMPION HEATING AND COOLING	TW4B1821	COMFORT-AIRE	CMH24/30PM1M + TXV + TD	18000	14.50	12.20	600	H4TXV01	USA, Canada	All
204417196	CHAMPION HEATING AND COOLING	TW4B2421	COMFORT-AIRE	CMH18/36PM1M + TD	24000	14.00	12.20	800		USA, Canada	All
204417197	CHAMPION HEATING AND COOLING	TW4B2421	COMFORT-AIRE	CMH18/36PM1M + TXV + TD	24000	14.00	12.20	800	H4TXV01	USA, Canada	All
204417200	CHAMPION HEATING AND COOLING	TW4B2421	COMFORT-AIRE	CMH24/30PM1M + TD	24000	14.00	12.20	800		USA, Canada	All
204417203	CHAMPION HEATING AND COOLING	TW4B2421	COMFORT-AIRE	CMH24/30PM1M + TXV + TD	24000	14.00	12.20	800	H4TXV01	USA, Canada	All
204417204	CHAMPION HEATING AND COOLING	TW4B2422	COMFORT-AIRE	CMH18/36PM1M + TD	23800	14.00	12.20	800		USA, Canada	All
204417206	CHAMPION HEATING AND COOLING	TW4B2422	COMFORT-AIRE	CMH18/36PM1M + TXV + TD	23800	14.00	12.20	800	H4TXV01	USA, Canada	All
204417207	CHAMPION HEATING AND COOLING	TW4B2422	COMFORT-AIRE	CMH24/30PM1M + TD	23800	14.00	12.20	800		USA, Canada	All
204417208	CHAMPION HEATING AND COOLING	TW4B2422	COMFORT-AIRE	CMH24/30PM1M + TXV + TD	23800	14.00	12.20	800	H4TXV01	USA, Canada	All
204417209	CHAMPION HEATING AND COOLING	TW4B3021	COMFORT-AIRE	CMH18/36PM1M + TXV + TD	28800	14.00	12.20	1000	H4TXV01	USA, Canada	All
204417210	CHAMPION HEATING AND COOLING	TW4B3021	COMFORT-AIRE	CMH24/30PM1M + TXV + TD	28800	14.00	12.20	1000	H4TXV01	USA, Canada	All
204417211	CHAMPION HEATING AND COOLING	TW4B3022	COMFORT-AIRE	CMH18/36PM1M + TXV + TD	29800	14.00	12.20	1000	H4TXV01	USA, Canada	All
204417212	CHAMPION HEATING AND COOLING	TW4B3022	COMFORT-AIRE	CMH24/30PM1M + TXV + TD	29800	14.00	12.20	1000	H4TXV01	USA, Canada	All
204417213	CHAMPION HEATING AND COOLING	TW4B3621	COMFORT-AIRE	CMH36PM2M + TXV + TD	35000	14.00	12.20	1200	H4TXV02	USA, Canada	All
204417214	CHAMPION HEATING AND COOLING	TW4B3622	COMFORT-AIRE	CMH36PM2M + TD	36000	14.00	12.20	1200		USA, Canada	All
204417215	CHAMPION HEATING AND COOLING	TW4B3622	COMFORT-AIRE	CMH36PM2M + TXV + TD	36000	14.00	12.20	1200	H4TXV02	USA, Canada	All
204417217	CHAMPION HEATING AND COOLING	TW4B4221	COMFORT-AIRE	CMH42/48PM2M + TD	40000	14.00	12.20	1400		USA, Canada	All
204417219	CHAMPION HEATING AND COOLING	TW4B4221	COMFORT-AIRE	CMH42/48PM1M + TXV + TD	40000	14.00	12.20	1400	H4TXV02	USA, Canada	All

†(In reference to coil model number) NOTE: 21" coil for use in EB/EBE-Series downflow application W 3500-8602 cabinet extension.
Not for use in DGAA/DGAX-Series gas furnace.

A/C MATCHES

AHRI Reference Number	Outdoor Unit Brand Name	Outdoor Unit Model Number	Indoor Unit Brand Name	Indoor Evaporator	BTUH	SEER	EER	CFM	TXV Needed	Sold In	Region
204417221	CHAMPION HEATING AND COOLING	TW4B4821	COMFORT-AIRE	CMH42/48PM2M + TD	47500	14.00	12.20	1500		USA, Canada	All
204417222	CHAMPION HEATING AND COOLING	TW4B4821	COMFORT-AIRE	CMH48PM2M + TD	47500	14.00	12.20	1500		USA, Canada	All
204417223	CHAMPION HEATING AND COOLING	TW4B6021	COMFORT-AIRE	CMH48PM2M + TD	55500	14.00	11.70	1500		USA, Canada	All
204417224	CHAMPION HEATING AND COOLING	TW4B6021	COMFORT-AIRE	CMH48PM2M + TXV + TD	55500	14.00	11.70	1500	H4TXV03	USA, Canada	All
202533925	COMFORT-AIRE	RSG1318S1M	COMFORT-AIRE	CMH18/36PM1M + TD	17600	13.00	11.00	600		USA, Canada	North
202533926	COMFORT-AIRE	RSG1324S1M	COMFORT-AIRE	CMH18/36PM1M + TD	22800	13.00	11.00	800		USA, Canada	North
202533927	COMFORT-AIRE	RSG1330S1M	COMFORT-AIRE	CMH18/36PM1M + TD	28000	13.00	11.00	1000		USA, Canada	North
202533928	COMFORT-AIRE	RSG1336S1M	COMFORT-AIRE	CMH18/36PM1M + TXV + TD	33400	13.00	10.00	1200	H4TXV02	USA, Canada	North
202533929	COMFORT-AIRE	RSG1348S1M	COMFORT-AIRE	CMH42/48PM1M + TD	39000	13.00	10.50	1350		USA, Canada	North
202533930	COMFORT-AIRE	RSG1360S1M	COMFORT-AIRE	CMH42/48PM1M + TD	44000	13.00	10.00	1550		USA, Canada	North
202533931	COMFORT-AIRE	RSG1418S1M	COMFORT-AIRE	CMH18/36PM1M + TD	18000	14.00	12.20	600		USA, Canada	All
202533932	COMFORT-AIRE	RSG1424S1M	COMFORT-AIRE	CMH18/36PM1M + TD	23000	14.00	12.20	800		USA, Canada	All
202533933	COMFORT-AIRE	RSG1430S1M	COMFORT-AIRE	CMH36PM2M + TD	28000	14.00	12.20	1000		USA, Canada	All
202533934	COMFORT-AIRE	RSG1436S1M	COMFORT-AIRE	CMH36PM2M + TD	34000	14.00	12.20	1200		USA, Canada	All
204379639	COMFORT-AIRE	RSG1418S1P	COMFORT-AIRE	CMH18/36PM1M + TXV + TD	18000	14.00	12.20	600	H4TXV01	USA, Canada	All
204379640	COMFORT-AIRE	RSG1424S1P	COMFORT-AIRE	CMH24/30PM1M + TD	23000	14.00	12.20	800		USA, Canada	All
204379641	COMFORT-AIRE	RSG1424S1P	COMFORT-AIRE	CMH24/30PM1M + TXV + TD	23000	14.50	12.20	800	H4TXV01	USA, Canada	All
204379642	COMFORT-AIRE	RSG1424S1P	COMFORT-AIRE	CMH18/36PM1M + TD	23000	14.00	12.20	800		USA, Canada	All
204379643	COMFORT-AIRE	RSG1424S1P	COMFORT-AIRE	CMH18/36PM1M + TXV + TD	23000	14.50	12.20	800	H4TXV01	USA, Canada	All
204379644	COMFORT-AIRE	RSG1430S1P	COMFORT-AIRE	CMH24/30PM1M + TXV + TD	28000	14.00	12.20	1000	H4TXV01	USA, Canada	All
204379645	COMFORT-AIRE	RSG1430S1P	COMFORT-AIRE	CMH36PM2M + TXV + TD	28000	14.50	12.20	1000	H4TXV01	USA, Canada	All
204379646	COMFORT-AIRE	RSG1430S1P	COMFORT-AIRE	CMH18/36PM1M + TXV + TD	28000	14.00	12.20	1000	H4TXV01	USA, Canada	All

**(In reference to coil model number) NOTE: 21" coil for use in EB/EBE-Series downflow application W 3500-8602 cabinet extension.
Not for use in DGAA/DGAX-Series gas furnace.*

A/C MATCHES

AHRI Reference Number	Outdoor Unit Brand Name	Outdoor Unit Model Number	Indoor Unit Brand Name	Indoor Evaporator	BTUH	SEER	EER	CFM	TXV Needed	Sold In	Region
204379647	COMFORT-AIRE	RSG1436S1P	COMFORT-AIRE	CMH36PM2M + TXV + TD	34000	14.50	12.20	1200	H4TXV02	USA, Canada	All
204388532	COMFORT-AIRE	RSG1442S1P	COMFORT-AIRE	CMH42/48PM2M + TXV + TD	40000	14.00	12.20	1400	H4TXV02	USA, Canada	All
204389011	COMFORT-AIRE	RSG1448S1P	COMFORT-AIRE	CMH48PM2M + TXV + TD	45500	14.00	12.00	1650	H4TXV02	USA, Canada	All
203114953	COMFORT-MAKER	NXA430(A,G)KC**	CENTURY	CMH24/30PM1M + TXV + TD	28400	14.00	12.20	1000	H4TXV01	USA, Canada	South-east and North
203114954	COMFORT-MAKER	NXA430(A,G)KC**	CENTURY	CMH36PM2M + TXV + TD	28400	14.50	12.20	1000	H4TXV01	USA, Canada	South-east and North
203114956	COMFORT-MAKER	NXA436(A,G)KC**	CENTURY	CMH36PM2M + TXV + TD	34400	14.00	12.00	1050	H4TXV02	USA, Canada	South-east and North
203114957	COMFORT-MAKER	NXA442(A,G)KC**	CENTURY	CMH42/48PM2M + TXV + TD	40000	14.00	12.20	1250	H4TXV02	USA, Canada	South-east and North
203114958	COMFORT-MAKER	NXA448(A,G)KC**	CENTURY	CMH42/48PM1M + TXV + TD	43000	14.00	10.50	1500	H4TXV02	USA, Canada	South-east and North
203114959	COMFORT-MAKER	NXA448(A,G)KC**	CENTURY	CMH42/48PM2M + TXV + TD	44500	14.00	11.00	1500	H4TXV02	USA, Canada	South-east and North
203114960	COMFORT-MAKER	NXA448(A,G)KC**	CENTURY	CMH48PM2M + TXV + TD	45000	14.50	11.00	1500	H4TXV02	USA, Canada	South-east and North
203114961	COMFORT-MAKER	R4A430(A,G)KB*	CENTURY	CMH24/30PM1M + TXV + TD	28600	14.00	11.70	1000	H4TXV01	USA, Canada	South-east and North
203114962	COMFORT-MAKER	R4A430(A,G)KB*	CENTURY	CMH36PM2M + TXV + TD	28600	14.00	12.20	1000	H4TXV01	USA, Canada	South-east and North
203114964	COMFORT-MAKER	R4A436(A,G)KB*	CENTURY	CMH36PM2M + TXV + TD	34400	14.00	12.00	1050	H4TXV02	USA, Canada	South-east and North
203114965	COMFORT-MAKER	R4A442(A,G)KB*	CENTURY	CMH42/48PM2M + TXV + TD	40000	14.00	12.20	1250	H4TXV02	USA, Canada	South-east and North
203114966	COMFORT-MAKER	R4A448(A,G)KB*	CENTURY	CMH42/48PM1M + TXV + TD	43000	14.00	10.50	1500	H4TXV02	USA, Canada	South-east and North
203114967	COMFORT-MAKER	R4A448(A,G)KB*	CENTURY	CMH42/48PM2M + TXV + TD	44500	14.00	11.00	1500	H4TXV02	USA, Canada	South-east and North
203114969	COMFORT-MAKER	R4A448(A,G)KB*	CENTURY	CMH48PM2M + TXV + TD	45000	14.50	11.00	1500	H4TXV02	USA, Canada	South-east and North
203114970	COMFORT-MAKER	NXA430(A,G)KC**	COMFORT-AIRE	CMH24/30PM1M + TXV + TD	28400	14.00	12.20	1000	H4TXV01	USA, Canada	South-east and North
203114971	COMFORT-MAKER	NXA430(A,G)KC**	COMFORT-AIRE	CMH36PM2M + TXV + TD	28400	14.50	12.20	1000	H4TXV01	USA, Canada	South-east and North
203114972	COMFORT-MAKER	NXA436(A,G)KC**	COMFORT-AIRE	CMH36PM2M + TXV + TD	34400	14.00	12.00	1050	H4TXV02	USA, Canada	South-east and North
203114973	COMFORT-MAKER	NXA442(A,G)KC**	COMFORT-AIRE	CMH42/48PM2M + TXV + TD	40000	14.00	12.20	1250	H4TXV02	USA, Canada	South-east and North

**(In reference to coil model number) NOTE: 21" coil for use in EB/EBE-Series downflow application W 3500-8602 cabinet extension.
Not for use in DGAA/DGAX-Series gas furnace.*

A/C MATCHES

AHRI Reference Number	Outdoor Unit Brand Name	Outdoor Unit Model Number	Indoor Unit Brand Name	Indoor Evaporator	BTUH	SEER	EER	CFM	TXV Needed	Sold In	Region
203114974	COMFORT-MAKER	NXA448(A,G)KC**	COMFORT-AIRE	CMH42/48PM1M + TXV + TD	43000	14.00	10.50	1500	H4TXV02	USA, Canada	South-east and North
203114976	COMFORT-MAKER	NXA448(A,G)KC**	COMFORT-AIRE	CMH42/48PM2M + TXV + TD	44500	14.00	11.00	1500	H4TXV02	USA, Canada	South-east and North
203114977	COMFORT-MAKER	NXA448(A,G)KC**	COMFORT-AIRE	CMH48PM2M + TXV + TD	45000	14.50	11.00	1500	H4TXV02	USA, Canada	South-east and North
203114978	COMFORT-MAKER	R4A430(A,G)KB*	COMFORT-AIRE	CMH24/30PM1M + TXV + TD	28600	14.00	11.70	1000	H4TXV01	USA, Canada	South-east and North
203114979	COMFORT-MAKER	R4A430(A,G)KB*	COMFORT-AIRE	CMH36PM2M + TXV + TD	28600	14.00	12.20	1000	H4TXV01	USA, Canada	South-east and North
203114980	COMFORT-MAKER	R4A436(A,G)KB*	COMFORT-AIRE	CMH36PM2M + TXV + TD	34400	14.00	12.00	1050	H4TXV02	USA, Canada	South-east and North
203114982	COMFORT-MAKER	R4A442(A,G)KB*	COMFORT-AIRE	CMH42/48PM2M + TXV + TD	40000	14.00	12.20	1250	H4TXV02	USA, Canada	South-east and North
203114983	COMFORT-MAKER	R4A448(A,G)KB*	COMFORT-AIRE	CMH42/48PM1M + TXV + TD	43000	14.00	10.50	1500	H4TXV02	USA, Canada	South-east and North
203114984	COMFORT-MAKER	R4A448(A,G)KB*	COMFORT-AIRE	CMH42/48PM2M + TXV + TD	44500	14.00	11.00	1500	H4TXV02	USA, Canada	South-east and North
203114985	COMFORT-MAKER	R4A448(A,G)KB*	COMFORT-AIRE	CMH48PM2M + TXV + TD	45000	14.50	11.00	1500	H4TXV02	USA, Canada	South-east and North
204819384	COMFORT-MAKER	NXA418(A,G)KC**	COMFORT-AIRE	CMH18/36PM1M + TXV + TD	17500	14.00	11.50	525	H4TXV01	USA, Canada	South-east and North
204819385	COMFORT-MAKER	NXA424(A,G)KC**	COMFORT-AIRE	CMH18/36PM1M + TXV + TD	22600	14.00	11.70	700	H4TXV01	USA, Canada	South-east and North
204819386	COMFORT-MAKER	R4A418(A,G)KB*	COMFORT-AIRE	CMH18/36PM1M + TXV + TD	17500	14.00	11.50	525	H4TXV01	USA, Canada	South-east and North
204819387	COMFORT-MAKER	R4A424(A,G)KB*	COMFORT-AIRE	CMH18/36PM1M + TXV + TD	22600	14.00	11.70	700	H4TXV01	USA, Canada	South-east and North
204819388	COMFORT-MAKER	NXA418(A,G)KC**	COMFORT-AIRE	CMH24/30PM1M + TXV + TD	17500	14.00	11.70	525	H4TXV01	USA, Canada	South-east and North
204819389	COMFORT-MAKER	NXA424(A,G)KC**	COMFORT-AIRE	CMH24/30PM1M + TXV + TD	22600	14.00	11.70	700	H4TXV01	USA, Canada	South-east and North
204819390	COMFORT-MAKER	R4A418(A,G)KB*	COMFORT-AIRE	CMH24/30PM1M + TXV + TD	17500	14.00	11.70	525	H4TXV01	USA, Canada	South-east and North
204819392	COMFORT-MAKER	R4A424(A,G)KB*	COMFORT-AIRE	CMH24/30PM1M + TXV + TD	22600	14.00	11.70	700	H4TXV01	USA, Canada	South-east and North
205282709	DUCANE	4AC16L24P-50,51	COMFORT-AIRE	CMH18/36PM1M + TXV + TD	24000	14.00	12.20	800	H4TXV01	USA, Canada	All
205282710	DUCANE	4AC16L30P-50	COMFORT-AIRE	CMH18/36PM1M + TXV + TD	28000	14.00	12.20	1000	H4TXV01	USA, Canada	All
205282711	DUCANE	4AC16L30P-50	COMFORT-AIRE	CMH36PM2M + TXV + TD	28000	14.50	12.20	1000	H4TXV01	USA, Canada	All

**(In reference to coil model number) NOTE: 21" coil for use in EB/EBE-Series downflow application W 3500-8602 cabinet extension.
Not for use in DGAA/DGAX-Series gas furnace.*

A/C MATCHES

AHRI Reference Number	Outdoor Unit Brand Name	Outdoor Unit Model Number	Indoor Unit Brand Name	Indoor Evaporator	BTUH	SEER	EER	CFM	TXV Needed	Sold In	Region
205282712	DUCANE	4AC16L30P-50	COMFORT-AIRE	CMH36PM2M + TD	28000	14.00	12.20	1000	H4TXV01	USA, Canada	All
205282713	DUCANE	4AC16L36P-50A	COMFORT-AIRE	CMH36PM2M + TXV + TD	34000	14.50	12.20	1200	H4TXV02	USA, Canada	All
205282714	DUCANE	4AC16L36P-50A	COMFORT-AIRE	CMH36PM2M + TD	34000	14.00	12.20	1200	H4TXV02	USA, Canada	All
205282715	DUCANE	4AC16L42P-50,51	COMFORT-AIRE	CMH42/48PM2M + TXV + TD	40000	14.00	12.20	1400	H4TXV02	USA, Canada	All
205282716	DUCANE	4AC16L48P-50,51	COMFORT-AIRE	CMH48PM2M + TXV + TD	44500	14.00	12.20	1550	H4TXV02	USA, Canada	All
205282717	DUCANE	4AC16L24P-50,51	COMFORT-AIRE	CMH24/30PM1M + TXV + TD	24000	14.00	12.20	800	H4TXV01	USA, Canada	All
205282718	DUCANE	4AC16L30P-50	COMFORT-AIRE	CMH24/30PM1M + TXV + TD	28000	14.00	12.20	1000	H4TXV01	USA, Canada	All
205962988	GOODMAN	GSX130181E*	GOODMAN	CMH18/36PM1M + TD	19000	13.00	11.00	600	H4TXV01	USA, Canada	North
205962989	GOODMAN	GSX130241E*	GOODMAN	CMH18/36PM1M + TD	23000	13.00	11.00	800	H4TXV01	USA, Canada	North
205962990	GOODMAN	GSX130301L*	GOODMAN	CMH18/36PM1M + TD	28400	13.00	11.00	1000	H4TXV01	USA, Canada	North
205962991	GOODMAN	GSX130361E*	GOODMAN	CMH18/36PM1M + TD	33600	13.00	11.00	1200	H4TXV02	USA, Canada	North
205962992	GOODMAN	GSX130421B*	GOODMAN	CMH42/48PM1M + TXV + TD	40000	13.00	11.00	1350	H4TXV02	USA, Canada	North
205962993	GOODMAN	GSX130481B*	GOODMAN	CMH42/48PM1M + TXV + TD	44000	13.00	10.50	1550	H4TXV02	USA, Canada	North
205962994	GOODMAN	GSX140181L*	GOODMAN	CMH18/36PM1M + TD	17700	14.00	11.50	600	H4TXV01	USA, Canada	South-east and North
205962995	GOODMAN	GSX140241L*	GOODMAN	CMH18/36PM1M + TXV + TD	23200	14.00	11.50	800	H4TXV01	USA, Canada	South-east and North
205962996	GOODMAN	GSX140361K*	GOODMAN	CMH18/36PM1M + TD	34000	14.00	11.50	1200	H4TXV02	USA, Canada	South-east and North
205962997	GOODMAN	GSX140421K*	GOODMAN	CMH42/48PM2M + TXV + TD	36000	14.00	11.00	1300	H4TXV02	USA, Canada	South-east and North
205962998	GOODMAN	GSX140481K*	GOODMAN	CMH42/48PM2M + TXV + TD	45000	14.00	11.70	1550	H4TXV02	USA, Canada	All
205962961	GOODMAN	GSX140181M*	GOODMAN	CMH24/30PM1M + TXV + TD	18000	14.50	11.70	650	H4TXV01	USA, Canada	South-east and North
205962962	GOODMAN	GSX140181M*	GOODMAN	CMH24/30PM1M + TD	18000	14.00	11.70	650		USA, Canada	South-east and North
205962963	GOODMAN	GSX140181M*	GOODMAN	CMH36PM2M + TXV + TD	18000	14.50	12.00	650	H4TXV01	USA, Canada	South-east and North
205962964	GOODMAN	GSX140181M*	GOODMAN	CMH36PM2M + TD	18000	14.00	12.00	650		USA, Canada	South-east and North

**(In reference to coil model number) NOTE: 21" coil for use in EB/EBE-Series downflow application W 3500-8602 cabinet extension.
Not for use in DGAA/DGAX-Series gas furnace.*

A/C MATCHES

AHRI Reference Number	Outdoor Unit Brand Name	Outdoor Unit Model Number	Indoor Unit Brand Name	Indoor Evaporator	BTUH	SEER	EER	CFM	TXV Needed	Sold In	Region
205962965	GOODMAN	GSX140241L*	GOODMAN	CMH24/30PM1M + TXV + TD	23200	14.00	11.50	725	H4TXV01	USA, Canada	South-east and North
205962966	GOODMAN	GSX140241L*	GOODMAN	CMH24/30PM1M + TD	23200	14.00	11.50	725		USA, Canada	South-east and North
205962967	GOODMAN	GSX140241L*	GOODMAN	CMH36PM2M + TXV + TD	23200	14.50	11.70	725	H4TXV01	USA, Canada	South-east and North
205962968	GOODMAN	GSX140241L*	GOODMAN	CMH36PM2M + TD	23200	14.00	11.70	725		USA, Canada	South-east and North
205962969	GOODMAN	GSX140301K*	GOODMAN	CMH24/30PM1M + TXV + TD	28800	14.00	11.50	1000	H4TXV01	USA, Canada	South-east and North
205962970	GOODMAN	GSX140301K*	GOODMAN	CMH36PM2M + TXV + TD	28800	14.50	11.70	1000	H4TXV01	USA, Canada	South-east and North
205962971	GOODMAN	GSX140301K*	GOODMAN	CMH36PM2M + TD	28800	14.00	11.70	1000		USA, Canada	South-east and North
205962972	GOODMAN	GSX140361K*	GOODMAN	CMH36PM2M + TXV + TD	34000	14.50	12.00	1200	H4TXV02	USA, Canada	South-east and North
205962973	GOODMAN	GSX140361K*	GOODMAN	CMH36PM2M + TD	34000	14.00	12.00	1200		USA, Canada	South-east and North
205962974	GOODMAN	GSX140421K*	GOODMAN	CMH48PM2M + TXV + TD	38000	14.00	11.50	1400	H4TXV02	USA, Canada	South-east and North
205663449	GOODMAN	GSX140481K*	GOODMAN	CMH48PM2M + TXV + TD	45500	14.50	11.70	1500	H4TXV02	USA, Canada	All
205962975	GOODMAN	GSX140481K*	GOODMAN	CMH48PM2M + TD	45500	14.00	11.70	1500		USA, Canada	All
205962976	GOODMAN	GSX140301K*	GOODMAN	CMH24/30PM1M + TD	28800	14.00	11.50	1000		USA, Canada	South-east and North
205663445	GOODMAN	GSX140191K*	COMFORT-AIRE	CMH24/30PM1M + TXV + TD	18000	15.00	12.50	650	H4TXV01	USA, Canada	All
205663446	GOODMAN	GSX140191K*	COMFORT-AIRE	CMH36PM2M + TXV + TD	17600	14.00	12.20	600	H4TXV01	USA, Canada	All
205663447	GOODMAN	GSX140251L*	COMFORT-AIRE	CMH18/36PM1M + TXV + TD	23600	14.00	12.20	725	H4TXV01	USA, Canada	All
205663448	GOODMAN	GSX140251L*	COMFORT-AIRE	CMH24/30PM1M + TXV + TD	23000	14.50	12.20	800	H4TXV01	USA, Canada	All
205663449	GOODMAN	GSX140481K*	COMFORT-AIRE	CMH48PM2M + TXV + TD	45500	14.50	11.70	1500	H4TXV02	USA, Canada	All
205663450	GOODMAN	GSX140481K*	COMFORT-AIRE	CMH42/60PM3M + TXV + TD	45000	14.00	11.70	1500	H4TXV02	USA, Canada	All
205663451	GOODMAN	GSX140191K*	COMFORT-AIRE	CMH18/36PM1M + TXV + TD	18000	14.50	12.20	650	H4TXV01	USA, Canada	All
205663452	GOODMAN	GSX140251L*	COMFORT-AIRE	CMH36PM2M + TXV + TD	23600	14.50	12.20	725	H4TXV01	USA, Canada	All

**(In reference to coil model number) NOTE: 21" coil for use in EB/EBE-Series downflow application W 3500-8602 cabinet extension.
Not for use in DGAA/DGAX-Series gas furnace.*

A/C MATCHES

AHRI Reference Number	Outdoor Unit Brand Name	Outdoor Unit Model Number	Indoor Unit Brand Name	Indoor Evaporator	BTUH	SEER	EER	CFM	TXV Needed	Sold In	Region
205663453	GOODMAN	GSX140371K*	COMFORT-AIRE	CMH36PM2M + TXV + TD	34000	14.50	12.20	1200		USA, Canada	All
205663454	GOODMAN	GSX140311K*	COMFORT-AIRE	CMH24/30PM1M + TXV + TD	28600	14.00	12.20	1000	H4TXV01	USA, Canada	All
205663455	GOODMAN	GSX140311K*	COMFORT-AIRE	CMH18/36PM1M + TXV + TD	28600	14.00	12.20	1000	H4TXV01	USA, Canada	All
205663456	GOODMAN	GSX140311K*	COMFORT-AIRE	CMH36PM2M + TXV + TD	28600	14.50	12.20	1000	H4TXV01	USA, Canada	All
205822811	GOODMAN	VSX130181E*	COMFORT-AIRE	CMH18/24PM3M + TXV + TD	18700	13.00	11.00	650	H4TXV01	USA, Canada	North
205822812	GOODMAN	VSX130181E*	COMFORT-AIRE	CMH24/30PM1M + TD	19000	13.00	11.00	650		USA, Canada	North
205822813	GOODMAN	VSX130181E*	COMFORT-AIRE	CMH36PM2M + TD	19000	13.00	11.00	650		USA, Canada	North
205822814	GOODMAN	VSX130241F*	COMFORT-AIRE	CMH18/24PM3M + TXV + TD	22200	13.00	10.50	800	H4TXV01	USA, Canada	North
205822815	GOODMAN	VSX130241F*	COMFORT-AIRE	CMH24/30PM1M + TD	23000	13.00	11.00	800		USA, Canada	North
205822816	GOODMAN	VSX130241F*	COMFORT-AIRE	CMH36PM2M + TD	23000	13.00	11.00	800		USA, Canada	North
205822817	GOODMAN	VSX130301L*	COMFORT-AIRE	CMH24/30PM1M + TD	28400	13.00	11.00	1050		USA, Canada	North
205822818	GOODMAN	VSX130301L*	COMFORT-AIRE	CMH36PM2M + TD	28400	13.00	11.00	1050		USA, Canada	North
205822819	GOODMAN	VSX130361E*	COMFORT-AIRE	CMH36PM2M + TD	33600	13.00	11.00	1200		USA, Canada	North
205822820	GOODMAN	VSX130421A*	COMFORT-AIRE	CMH42/48PM1M + TXV + TD	39500	13.00	10.50	1375	H4TXV02	USA, Canada	North
205822821	GOODMAN	VSX130421A*	COMFORT-AIRE	CMH42/48PM2M + TD	40000	13.00	11.00	1375		USA, Canada	North
205822822	GOODMAN	VSX130481A*	COMFORT-AIRE	CMH42/48PM1M + TXV + TD	44000	13.00	10.50	1500	H4TXV02	USA, Canada	North
205822823	GOODMAN	VSX130481A*	COMFORT-AIRE	CMH42/48PM2M + TD	45500	13.00	10.50	1500		USA, Canada	North
205822824	GOODMAN	VSX130601B*	COMFORT-AIRE	CMH42/60PM3M + TXV + TD	51500	13.00	10.00	1500	H4TXV03	USA, Canada	North
205822825	GOODMAN	VSX130601B*	COMFORT-AIRE	CMH48PM2M + TXV + TD	52000	13.00	10.00	1500	H4TXV03	USA, Canada	North
205822826	GOODMAN	VSX130361E*	COMFORT-AIRE	CMH36PM3M + TD	33400	13.00	11.00	1150		USA, Canada	North
205822827	GOODMAN	VSX130181E*	COMFORT-AIRE	CMH36PM3M + TD	19000	13.00	11.00	650		USA, Canada	North
205822828	GOODMAN	VSX130241F*	COMFORT-AIRE	CMH36PM3M + TD	22800	13.00	11.00	800		USA, Canada	North

[†](In reference to coil model number) NOTE: 21" coil for use in EB/EBE-Series downflow application W 3500-8602 cabinet extension.
Not for use in DGAA/DGAX-Series gas furnace.

A/C MATCHES

AHRI Reference Number	Outdoor Unit Brand Name	Outdoor Unit Model Number	Indoor Unit Brand Name	Indoor Evaporator	BTUH	SEER	EER	CFM	TXV Needed	Sold In	Region
205822829	GOODMAN	VSX130301L*	COMFORT-AIRE	CMH36PM3M+TD	28400	13.00	11.00	1050		USA, Canada	North
205874132	GOODMAN	VSX130181E*	COMFORT-AIRE	CMH18/36PM1M+TD	19000	13.00	11.00	650		USA, Canada	North
205874134	GOODMAN	VSX130241F*	COMFORT-AIRE	CMH18/36PM1M+TD	23000	13.00	11.00	800		USA, Canada	North
205874141	GOODMAN	VSX130361E*	COMFORT-AIRE	CMH18/36PM1M+TD	33600	13.00	11.00	1200		USA, Canada	North
205874144	GOODMAN	VSX130301L*	COMFORT-AIRE	CMH18/36PM1M+TD	28400	13.00	11.00	1050		USA, Canada	North
205962977	RUUD	RA1318AJ1	RUUD	CMH18/36PM1M+TD	17600	13.00	11.00	600		USA, Canada	North
206080265	RUUD	RA1324BJ1	RUUD	CMH18/36PM1M+TXV+TD	2800	3.00	1.00	800		USA, Canada	North
206080275	RUUD	RA1324BJ1	RUUD	CMH36PM2M+TXV+TD	2800	3.00	1.00	800		USA, Canada	North
205962978	RUUD	RA1330AJ1	RUUD	CMH18/36PM1M+TD	28200	13.00	11.00	1000		USA, Canada	North
205962979	RUUD	RA1336AJ1	RUUD	CMH18/36PM1M+TD	34400	13.00	11.00	1025		USA, Canada	North
205962980	RUUD	RA1342AJ1	RUUD	CMH42/48PM2M+TXV+TD	40500	13.00	11.00	1400	H4TXV02	USA, Canada	North
205962981	RUUD	RA1348AJ1	RUUD	CMH42/48PM2M+TXV+TD	47500	13.00	11.00	1500	H4TXV02	USA, Canada	North
205962982	RUUD	RA1418AJ1	RUUD	CMH18/36PM1M+TD	17800	14.00	11.50	600		USA, Canada	South-east and North
205962983	RUUD	RA1418WJ1	RUUD	CMH18/36PM1M+TD	18000	14.00	12.20	600		USA, Canada	All
205962984	RUUD	RA1430AJ1	RUUD	CMH18/36PM1M+TD	28600	14.00	11.50	1000		USA, Canada	South-east and North
205962985	RUUD	RA1436AJ1	RUUD	CMH18/36PM1M+TD	34000	14.00	11.50	1050		USA, Canada	South-east and North
205962986	RUUD	RA1436WJ1	RUUD	CMH18/36PM1M+TD	35800	14.00	12.20	1100		USA, Canada	All
205962987	RUUD	RA1448AJ1	RUUD	CMH42/48PM2M+TXV+TD	46000	14.00	11.70	1450	H4TXV02	USA, Canada	All
204876868	RUUD	RA1342AJ1	CENTURY	CMH48PM2M+TXV+TD	40500	13.00	11.00	1400	H4TXV02	USA, Canada	North
204876870	RUUD	RA1348AJ1	CENTURY	CMH48PM2M+TXV+TD	47500	13.00	11.00	1500	H4TXV02	USA, Canada	North
204876880	RUUD	RA1448AJ1	CENTURY	CMH48PM2M+TXV+TD	46000	14.00	11.70	1450	H4TXV02	USA, Canada	All
204876876	RUUD	RA1342AJ1	COMFORT-AIRE	CMH48PM2M+TXV+TD	40500	13.00	11.00	1400	H4TXV02	USA, Canada	North

[†](In reference to coil model number) NOTE: 21" coil for use in EB/EBE-Series downflow application W 3500-8602 cabinet extension.
Not for use in DGAA/DGAX-Series gas furnace.

A/C MATCHES

AHRI Reference Number	Outdoor Unit Brand Name	Outdoor Unit Model Number	Indoor Unit Brand Name	Indoor Evaporator	BTUH	SEER	EER	CFM	TXV Needed	Sold In	Region
204876877	RUUD	RA1348AJ1	COMFORT-AIRE	CMH48PM2M + TXV + TD	47500	13.00	11.00	1500	H4TXV02	USA, Canada	North
204876880	RUUD	RA1448AJ1	COMFORT-AIRE	CMH48PM2M + TXV + TD	46000	14.00	11.70	1450	H4TXV02	USA, Canada	All
205708846	RUUD	RA1442CJ1	COMFORT-AIRE	CMH42/60PM3M + TXV + TD	38500	14.00	11.00	1280	H4TXV02	USA, Canada	South-east and North
205960133	RUUD	RA1418AJ1	COMFORT-AIRE	CMH24/30PM1M + TXV + TD	17800	14.00	11.70	550	H4TXV01	USA, Canada	South-east and North
205960134	RUUD	RA1424BJ1	COMFORT-AIRE	CMH24/30PM1M + TXV + TD	23200	14.00	12.00	800	H4TXV01	USA, Canada	South-east and North
205960135	RUUD	RA1430AJ1	COMFORT-AIRE	CMH24/30PM1M + TXV + TD	28600	14.00	11.50	950	H4TXV01	USA, Canada	South-east and North
205960143	RUUD	RA1436AJ1	COMFORT-AIRE	CMH42/48PM1M + TXV + TD	34200	14.00	11.70	1150	H4TXV02	USA, Canada	South-east and North
205960147	RUUD	RA1442CJ1	COMFORT-AIRE	CMH48PM2M + TXV + TD	39000	14.00	11.00	1350	H4TXV02	USA, Canada	South-east and North
205708847	SURE	SA1442CJ1	COMFORT-AIRE	CMH42/60PM3M + TXV + TD	38500	14.00	11.00	1280	H4TXV02	USA, Canada	South-east and North
205960136	SURE	SA1418AJ1	COMFORT-AIRE	CMH24/30PM1M + TXV + TD	17800	14.00	11.70	600	H4TXV01	USA, Canada	South-east and North
205960137	SURE	SA1424BJ1	COMFORT-AIRE	CMH24/30PM1M + TXV + TD	23200	14.00	12.00	800	H4TXV01	USA, Canada	South-east and North
205960138	SURE	SA1430AJ1	COMFORT-AIRE	CMH24/30PM1M + TXV + TD	28600	14.00	11.50	1000	H4TXV01	USA, Canada	South-east and North
205960144	SURE	SA1436AJ1	COMFORT-AIRE	CMH42/48PM1M + TXV + TD	34200	14.00	11.50	1050	H4TXV02	USA, Canada	South-east and North
205960148	SURE	SA1442CJ1	COMFORT-AIRE	CMH48PM2M + TXV + TD	39000	14.00	11.00	1350	H4TXV02	USA, Canada	South-east and North
205960149	SURE	SA1448AJ1	COMFORT-AIRE	CMH48PM2M + TXV + TD	46000	14.00	11.70	1450	H4TXV02	USA, Canada	All
205960139	WEATHERK-ING	WA1418AJ1	COMFORT-AIRE	CMH24/30PM1M + TXV + TD	17100	14.00	11.70	600	H4TXV01	USA, Canada	South-east and North
205960140	WEATHERK-ING	WA1424AJ1	COMFORT-AIRE	CMH24/30PM1M + TXV + TD	24000	14.00	12.00	800	H4TXV01	USA, Canada	South-east and North
205960141	WEATHERK-ING	WA1424CJ1	COMFORT-AIRE	CMH24/30PM1M + TXV + TD	23400	14.00	11.50	800	H4TXV01	USA, Canada	South-east and North
205960142	WEATHERK-ING	WA1430BJ1	COMFORT-AIRE	CMH24/30PM1M + TXV + TD	28400	14.00	11.50	1000	H4TXV01	USA, Canada	South-east and North
205960145	WEATHERK-ING	WA1436AJ1	COMFORT-AIRE	CMH42/48PM1M + TXV + TD	34600	14.00	11.50	1150	H4TXV02	USA, Canada	South-east and North
205960146	WEATHERK-ING	WA1436CJ1	COMFORT-AIRE	CMH42/48PM1M + TXV + TD	34200	14.00	11.00	1125	H4TXV02	USA, Canada	South-east and North
205960150	WEATHERK-ING	WA1442CJ1	COMFORT-AIRE	CMH48PM2M + TXV + TD	39000	14.00	11.00	1250	H4TXV02	USA, Canada	South-east and North
205960151	WEATHERK-ING	WA1448BJ1	COMFORT-AIRE	CMH48PM2M + TXV + TD	46000	14.00	11.50	1500	H4TXV02	USA, Canada	South-east and North

HP MATCHES

AHRI Certified Reference Number	Outdoor Unit Brand Name	Outdoor Unit Model Number	Indoor Unit Brand Name	Indoor Evaporator	BTUH	SEER	EER	Heating Capacity 47F	HSPF	Heating Capacity 17F	CFM	TXV Needed	Sold In
205962890	AMANA	ASZ140181K*	COMFORT-AIRE	CMH18/36PM1M + TXV + TD	17300	14.00	11.50	17200	8.20	8400		H4TXV01	USA, Canada
205962891	AMANA	ASZ140181K*	COMFORT-AIRE	CMH24/30PM1M + TXV + TD	17400	14.00	11.50	17200	8.20	8400		H4TXV01	USA, Canada
205962892	AMANA	ASZ140241K*	COMFORT-AIRE	CMH18/36PM1M + TXV + TD	23200	14.00	11.70	22200	8.20	11000		H4TXV01	USA, Canada
205962893	AMANA	ASZ140241K*	COMFORT-AIRE	CMH24/30PM1M + TXV + TD	23200	14.00	11.70	22200	8.20	11000		H4TXV01	USA, Canada
205962894	AMANA	ASZ140301K*	COMFORT-AIRE	CMH18/36PM1M + TXV + TD	27600	14.00	11.70	27800	8.20	14600		H4TXV01	USA, Canada
205962895	AMANA	ASZ140301K*	COMFORT-AIRE	CMH24/30PM1M + TXV + TD	27600	14.00	11.70	27800	8.20	14600		H4TXV01	USA, Canada
205962896	AMANA	ASZ140301K*	COMFORT-AIRE	CMH36PM2M + TXV + TD	27600	14.00	12.00	27800	8.20	14600		H4TXV01	USA, Canada
205962897	AMANA	ASZ140361K*	COMFORT-AIRE	CMH36PM2M + TXV + TD	33000	14.00	11.00	31200	8.20	18400		H4TXV02	USA, Canada
205962898	AMANA	ASZ140421K*	COMFORT-AIRE	CMH48PM2M + TXV + TD	39500	14.00	11.50	37800	8.20	22400		H4TXV02	USA, Canada
205962899	AMANA	ASZ140481K*	COMFORT-AIRE	CMH48PM2M + TXV + TD	43500	14.00	11.00	42500	9.00	26000		H4TXV02	USA, Canada
205652776	BRYANT HEATING AND COOLING SYSTEMS	214DNA024P0**A*	COMFORT-AIRE	CMH18/36PM1M + TXV + TD	22200	14.00	11.70	20000	8.50	11500	800	H4TXV01	USA, Canada
205652777	BRYANT HEATING AND COOLING SYSTEMS	214DNA024P0**A*	COMFORT-AIRE	CMH18/24PM3M + TXV + TD	21600	14.00	11.00	20000	8.50	11600	800	H4TXV01	USA, Canada
205652778	BRYANT HEATING AND COOLING SYSTEMS	214DNA024P0**A*	COMFORT-AIRE	CMH36PM3M + TXV + TD	22200	14.00	11.70	20000	8.50	11600	800	H4TXV01	USA, Canada
205652779	BRYANT HEATING AND COOLING SYSTEMS	214DNA030P0**A*	COMFORT-AIRE	CMH36PM3M + TXV + TD	28600	14.00	11.70	26200	8.20	15400	1010	H4TXV01	USA, Canada
205652780	BRYANT HEATING AND COOLING SYSTEMS	214DNA036P0**B*	COMFORT-AIRE	CMH36PM3M + TXV + TD	32800	14.00	11.70	32800	8.20	19000	1075	H4TXV02	USA, Canada
205652781	BRYANT HEATING AND COOLING SYSTEMS	214DNA042P0**A*	COMFORT-AIRE	CMH42/48PM1M + TXV + TD	39500	14.00	11.00	39000	8.20	23800	1225	H4TXV02	USA, Canada
205652782	BRYANT HEATING AND COOLING SYSTEMS	214DNA042P0**A*	COMFORT-AIRE	CMH42/48PM2M + TXV + TD	40000	14.00	11.70	39000	8.20	23800	1225	H4TXV02	USA, Canada
205652783	BRYANT HEATING AND COOLING SYSTEMS	214DNA042P0**A*	COMFORT-AIRE	CMH48PM2M + TXV + TD	40000	14.00	12.00	39000	8.20	23800	1225	H4TXV02	USA, Canada
205652784	CARRIER	25HCE424AP030*	COMFORT-AIRE	CMH18/36PM1M + TXV + TD	22200	14.00	11.70	20000	8.50	11600	800	H4TXV01	USA, Canada
205652785	CARRIER	25HCE424AP030*	COMFORT-AIRE	CMH18/24PM3M + TXV + TD	21600	14.00	11.00	20000	8.50	11600	800	H4TXV01	USA, Canada
205652786	CARRIER	25HCE424AP030*	COMFORT-AIRE	CMH36PM3M + TXV + TD	22200	14.00	11.70	20000	8.50	11500	800	H4TXV01	USA, Canada

†(In reference to coil model number) NOTE: 21" coil for use in EB/EBE-Series downflow application W 3500-8602 cabinet extension.
Not for use in DGAA/DGAX-Series gas furnace.

HP MATCHES

AHRI Certified Reference Number	Outdoor Unit Brand Name	Outdoor Unit Model Number	Indoor Unit Brand Name	Indoor Evaporator	BTUH	SEER	EER	Heating Capacity 47F	HSPF	Heating Capacity 17F	CFM	TXV Needed	Sold In
205652787	CARRIER	25HCE424CP030*	COMFORT-AIRE	CMH18/36PM1M + TXV + TD	21800	14.00	11.00	20400	8.20	11700	720	H4TXV01	USA, Canada
205652788	CARRIER	25HCE424CP030*	COMFORT-AIRE	CMH36PM3M + TXV + TD	21800	14.00	11.00	20400	8.20	11700	720	H4TXV01	USA, Canada
205652789	CARRIER	25HCE430AP030*	COMFORT-AIRE	CMH36PM3M + TXV + TD	28600	14.00	11.70	26200	8.20	15400	1010	H4TXV01	USA, Canada
205652790	CARRIER	25HCE436AP031*	COMFORT-AIRE	CMH36PM3M + TXV + TD	32800	14.00	11.70	32800	8.20	19000	1075	H4TXV02	USA, Canada
205652791	CARRIER	25HCE442AP030*	COMFORT-AIRE	CMH42/48PM1M + TXV + TD	39500	14.00	11.00	39000	8.20	23800	1225	H4TXV02	USA, Canada
205652792	CARRIER	25HCE442AP030*	COMFORT-AIRE	CMH42/48PM2M + TXV + TD	40000	14.00	11.70	39000	8.20	23800	1225	H4TXV02	USA, Canada
205652793	CARRIER	25HCE442AP030*	COMFORT-AIRE	CMH48PM2M + TXV + TD	40000	14.00	12.00	39000	8.20	23800	1225	H4TXV02	USA, Canada
205652794	CARRIER	25HCE442CP030*	COMFORT-AIRE	CMH48PM2M + TXV + TD	42000	14.00	11.50	42500	8.20	25800	1400	H4TXV02	USA, Canada
202537308	CENTURY	HRG1418S1M	CENTURY	CMH18/36PM1M + TXV + TD	18000	14.00	12.20	15400	8.20	8400	650	H4TXV01	USA, Canada
202537309	CENTURY	HRG1430S1M	CENTURY	CMH24/30PM1M + TXV + TD	28600	14.00	12.00	26000	8.20	17000	1050	H4TXV01	USA, Canada
202537310	CENTURY	HRG1436S1M	CENTURY	CMH36PM2M + TXV + TD	34000	14.00	12.20	32200	8.20	20200	1200	H4TXV02	USA, Canada
202537311	CENTURY	HRG1442S1M	CENTURY	CMH48PM2M + TXV + TD	40000	14.00	11.70	41500	8.50	26200	1400	H4TXV02	USA, Canada
202636196	CENTURY	HRG1424S1M	CENTURY	CMH18/36PM1M + TXV + TD	23400	14.00	12.00	20400	8.20	12400	850	H4TXV02	USA, Canada
204379616	CENTURY	HRG1418S1P	CENTURY	CMH18/36PM1M + TXV + TD	18000	14.00	12.20	15700	8.20	9800	600	H4TXV01	USA, Canada
204379617	CENTURY	HRG1424S1P	CENTURY	CMH18/36PM1M + TXV + TD	23400	14.00	12.20	18000	8.50	12300	800	H4TXV01	USA, Canada
204379618	CENTURY	HRG1424S1P	CENTURY	CMH24/30PM1M + TXV + TD	23400	14.00	12.20	20600	8.50	12600	800	H4TXV01	USA, Canada
204379619	CENTURY	HRG1430S1P	CENTURY	CMH18/36PM1M + TXV + TD	29400	14.00	12.00	26400	8.50	16800	1000	H4TXV01	USA, Canada
204379620	CENTURY	HRG1430S1P	CENTURY	CMH24/30PM1M + TXV + TD	29400	14.00	12.00	26400	8.50	16800	1000	H4TXV01	USA, Canada
204379621	CENTURY	HRG1442S1P	CENTURY	CMH42/48PM2M + TXV + TD	41500	14.50	12.00	37400	8.50	24200	1400	H4TXV02	USA, Canada
204379622	CENTURY	HRG1448S1P	CENTURY	CMH48PM2M + TXV + TD	47000	15.00	12.20	40000	8.20	26000	1500	H4TXV02	USA, Canada
204388510	CENTURY	HRG1436S1P	CENTURY	CMH36PM2M + TXV + TD	34200	14.00	11.70	30200	8.20	19600	1200	H4TXV02	USA, Canada
204428816	CHAMPION HEATING AND COOLING	TH4B1821	COMFORT-AIRE	CMH18/36PM1M + TXV + TD	18000	14.00	12.20	16400	8.50	10500	600	H4TXV01	USA, Canada
204428817	CHAMPION HEATING AND COOLING	TH4B2421	COMFORT-AIRE	CMH18/36PM1M + TXV + TD	24000	15.00	12.50	22400	9.00	14000	800	H4TXV01	USA, Canada
204428818	CHAMPION HEATING AND COOLING	TH4B2421	COMFORT-AIRE	CMH24/30PM1M + TXV + TD	24000	15.00	12.50	22400	9.00	14000	800	H4TXV01	USA, Canada

*(In reference to coil model number) NOTE: 21" coil for use in EB/EBE-Series downflow application W 3500-8602 cabinet extension.
Not for use in DGAA/DGAX-Series gas furnace.

HP MATCHES

AHRI Certified Reference Number	Outdoor Unit Brand Name	Outdoor Unit Model Number	Indoor Unit Brand Name	Indoor Evaporator	BTUH	SEER	EER	Heating Capacity 47F	HSPF	Heating Capacity 17F	CFM	TXV Needed	Sold In
204428820	CHAMPION HEATING AND COOLING	TH4B3021	COMFORT-AIRE	CMH18/36PM1M + TXV + TD	29400	14.00	12.00	28400	8.50	19000	1000	H4TXV01	USA, Canada
204428821	CHAMPION HEATING AND COOLING	TH4B3021	COMFORT-AIRE	CMH24/30PM1M + TXV + TD	29600	14.00	12.00	28400	8.50	19000	1000	H4TXV01	USA, Canada
204428822	CHAMPION HEATING AND COOLING	TH4B3622	COMFORT-AIRE	CMH36PM2M + TXV + TD	36000	14.00	12.20	34200	8.50	21800	1200	H4TXV02	USA, Canada
204428823	CHAMPION HEATING AND COOLING	TH4B4222	COMFORT-AIRE	CMH42/48PM2M + TXV + TD	40500	14.00	11.50	38500	8.20	24400	1400	H4TXV02	USA, Canada
204428824	CHAMPION HEATING AND COOLING	TH4B4821	COMFORT-AIRE	CMH42/48PM2M + TXV + TD	47000	14.00	12.20	45500	8.20	30400	1500	H4TXV02	USA, Canada
204428825	CHAMPION HEATING AND COOLING	TH4B4821	COMFORT-AIRE	CMH48PM2M + TXV + TD	47000	14.00	12.20	45500	8.20	30400	1500	H4TXV02	USA, Canada
204428827	CHAMPION HEATING AND COOLING	TH4B4822	COMFORT-AIRE	CMH42/48PM2M + TXV + TD	47000	14.00	12.20	45500	8.20	30400	1500	H4TXV02	USA, Canada
204428828	CHAMPION HEATING AND COOLING	TH4B4822	COMFORT-AIRE	CMH48PM2M + TXV + TD	47000	14.00	12.20	45500	8.20	30400	1500	H4TXV02	USA, Canada
202537312	COMFORT-AIRE	HRG1418S1M	COMFORT-AIRE	CMH18/36PM1M + TXV + TD	18000	14.00	12.20	15400	8.20	8400	650	H4TXV01	USA, Canada
202537313	COMFORT-AIRE	HRG1430S1M	COMFORT-AIRE	CMH24/30PM1M + TXV + TD	28600	14.00	12.00	26000	8.20	17000	1050	H4TXV01	USA, Canada
202537314	COMFORT-AIRE	HRG1436S1M	COMFORT-AIRE	CMH36PM2M + TXV + TD	34000	14.00	12.20	32200	8.20	20200	1200	H4TXV02	USA, Canada
202537315	COMFORT-AIRE	HRG1442S1M	COMFORT-AIRE	CMH48PM2M + TXV + TD	40000	14.00	11.70	41500	8.50	26200	1400	H4TXV02	USA, Canada
202636197	COMFORT-AIRE	HRG1424S1M	COMFORT-AIRE	CMH18/36PM1M + TXV + TD	23400	14.00	12.00	20400	8.20	12400	850	H4TXV01	USA, Canada
204379623	COMFORT-AIRE	HRG1418S1P	COMFORT-AIRE	CMH18/36PM1M + TXV + TD	18000	14.00	12.20	15700	8.20	9800	600	H4TXV01	USA, Canada
204379624	COMFORT-AIRE	HRG1424S1P	COMFORT-AIRE	CMH18/36PM1M + TXV + TD	23400	14.00	12.20	18000	8.50	12300	800	H4TXV01	USA, Canada
204379625	COMFORT-AIRE	HRG1424S1P	COMFORT-AIRE	CMH24/30PM1M + TXV + TD	23400	14.00	12.20	20600	8.50	12600	800	H4TXV01	USA, Canada
204379626	COMFORT-AIRE	HRG1430S1P	COMFORT-AIRE	CMH18/36PM1M + TXV + TD	29400	14.00	12.00	26400	8.50	16800	1000	H4TXV01	USA, Canada
204379627	COMFORT-AIRE	HRG1430S1P	COMFORT-AIRE	CMH24/30PM1M + TXV + TD	29400	14.00	12.00	26400	8.50	16800	1000	H4TXV01	USA, Canada
204379628	COMFORT-AIRE	HRG1442S1P	COMFORT-AIRE	CMH42/48PM2M + TXV + TD	41500	14.50	12.00	37400	8.50	24200	1400	H4TXV02	USA, Canada
204379629	COMFORT-AIRE	HRG1448S1P	COMFORT-AIRE	CMH48PM2M + TXV + TD	47000	15.00	12.20	40000	8.20	26000	1500	H4TXV02	USA, Canada
204388513	COMFORT-AIRE	HRG1436S1P	COMFORT-AIRE	CMH36PM2M + TXV + TD	34200	14.00	11.70	30200	8.20	19600	1200	H4TXV02	USA, Canada
205639773	COMFORT-MAKER	N4H424GKP**	COMFORT-AIRE	CMH18/36PM1M + TXV + TD	22200	14.00	11.70	20000	8.50	11500	800	H4TXV01	USA, Canada
205639774	COMFORT-MAKER	N4H424GKP**	COMFORT-AIRE	CMH18/24PM3M + TXV + TD	21600	14.00	11.00	20000	8.50	11600	800	H4TXV01	USA, Canada
205639775	COMFORT-MAKER	N4H424GKP**	COMFORT-AIRE	CMH36PM3M + TXV + TD	22200	14.00	11.70	20000	8.50	11600	800	H4TXV01	USA, Canada

†(In reference to coil model number) NOTE: 21" coil for use in EB/EBE-Series downflow application W 3500-8602 cabinet extension.
Not for use in DGAA/DGAX-Series gas furnace.

HP MATCHES

AHRI Certified Reference Number	Outdoor Unit Brand Name	Outdoor Unit Model Number	Indoor Unit Brand Name	Indoor Evaporator	BTUH	SEER	EER	Heating Capacity 47F	HSPF	Heating Capacity 17F	CFM	TXV Needed	Sold In
205639776	COMFORT-MAKER	N4H430GKP**	COMFORT-AIRE	CMH18/36PM1M + TXV + TD	28600	14.50	12.00	26200	8.20	15400	1010	H4TXV01	USA, Canada
205639777	COMFORT-MAKER	N4H430GKP**	COMFORT-AIRE	CMH36PM3M + TXV + TD	28600	14.00	11.70	26200	8.20	15400	1010	H4TXV01	USA, Canada
205639778	COMFORT-MAKER	N4H436GKP**	COMFORT-AIRE	CMH18/36PM1M + TXV + TD	32800	14.50	12.00	32800	8.20	18800	1050	H4TXV02	USA, Canada
205639779	COMFORT-MAKER	N4H436GKP**	COMFORT-AIRE	CMH36PM3M + TXV + TD	32800	14.00	11.70	32800	8.20	19000	1075	H4TXV02	USA, Canada
205639780	COMFORT-MAKER	N4H436GKP**	COMFORT-AIRE	CMH36PM2M + TXV + TD	32800	14.50	12.00	32800	8.20	18800	1050	H4TXV02	USA, Canada
205639781	COMFORT-MAKER	N4H442GKP**	COMFORT-AIRE	CMH42/48PM2M + TXV + TD	40000	14.00	11.70	39000	8.20	23800	1225	H4TXV02	USA, Canada
205639782	COMFORT-MAKER	N4H442GKP**	COMFORT-AIRE	CMH48PM2M + TXV + TD	40000	14.00	12.00	39000	8.20	23800	1225	H4TXV02	USA, Canada
205639793	COMFORT-MAKER	N4H442GKP**	COMFORT-AIRE	CMH42/48PM1M + TXV + TD	39500	14.00	11.00	39000	8.20	23800	1225	H4TXV02	USA, Canada
205962999	GOODMAN	GSZ140181K*	GOODMAN	CMH24/30PM1M + TD	17000	14.00	12.00	15600	8.20	8400	620	H4TXV01	USA, Canada
205963002	GOODMAN	GSZ140361K*	GOODMAN	CMH36PM2M + TXV + TD	33000	14.00	11.00	31200	8.20	18400	1080	H4TXV02	USA, Canada
205963003	GOODMAN	GSZ140421K*	GOODMAN	CMH48PM2M + TXV + TD	39500	14.00	11.50	37800	8.20	22400	1350	H4TXV02	USA, Canada
205963000	GOODMAN	GSZ140241K*	GOODMAN	CMH24/30PM1M + TD	22800	14.50	12.00	21600	8.20	11400	845	H4TXV01	USA, Canada
205963001	GOODMAN	GSZ140301K*	GOODMAN	CMH24/30PM1M + TD	27800	14.00	12.00	26400	8.20	15400	980	H4TXV01	USA, Canada
205963004	GOODMAN	GSZ140481K*	GOODMAN	CMH48PM2M + TXV + TD	43500	14.00	11.00	42500	9.00	26000	1500	H4TXV02	USA, Canada
205963368	GOODMAN	GSZ140421K*	GOODMAN	CMH42/48PM2M + TXV	39000	14.00	11.00	37800	8.20	22400	1400	H4TXV02	USA, Canada
204278273	GOODMAN	GSZ160241B*	CENTURY	CMH24/30PM1M + TXV + TD	22800	14.50	12.00	20400	8.50	12400	815	H4TXV01	USA, Canada
204278274	GOODMAN	GSZ160241B*	CENTURY	CMH36PM2M + TD	22800	14.50	12.00	20400	8.50	12400	845	H4TXV01	USA, Canada
204278275	GOODMAN	GSZ160241B*	CENTURY	CMH18/36PM1M + TXV + TD	22600	14.50	12.00	20400	8.50	12400	815	H4TXV01	USA, Canada
204278276	GOODMAN	GSZ160301B*	CENTURY	CMH24/30PM1M + TXV + TD	28000	14.50	12.20	26400	8.50	13400	950	H4TXV01	USA, Canada
204278277	GOODMAN	GSZ160301B*	CENTURY	CMH36PM2M + TXV + TD	28000	14.50	12.20	26400	8.50	13400	950	H4TXV01	USA, Canada
204278278	GOODMAN	GSZ160301B*	CENTURY	CMH18/36PM1M + TXV + TD	28000	14.50	12.20	26400	8.50	13400	950	H4TXV01	USA, Canada
204278279	GOODMAN	GSZ160421B*	CENTURY	CMH48PM2M + TXV + TD	38500	14.50	12.00	38000	8.50	24000	1200	H4TXV02	USA, Canada
204278280	GOODMAN	GSZ160481B*	CENTURY	CMH42/48PM2M + TXV + TD	44500	14.50	11.70	44000	8.50	24400	1400	H4TXV02	USA, Canada
204278281	GOODMAN	GSZ160481B*	CENTURY	CMH48PM2M + TXV + TD	45000	14.50	12.00	44000	8.50	24400	1400	H4TXV02	USA, Canada

[†](In reference to coil model number) NOTE: 21" coil for use in EB/EBE-Series downflow application W 3500-8602 cabinet extension.
Not for use in DGAA/DGAX-Series gas furnace.

HP MATCHES

AHRI Certified Reference Number	Outdoor Unit Brand Name	Outdoor Unit Model Number	Indoor Unit Brand Name	Indoor Evaporator	BTUH	SEER	EER	Heating Capacity 47F	HSPF	Heating Capacity 17F	CFM	TXV Needed	Sold In
204278282	GOODMAN	GSZ160241B*	COMFORT-AIRE	CMH24/30PM1M + TXV + TD	22800	14.50	12.00	20400	8.50	12400	815	H4TXV01	USA, Canada
204278283	GOODMAN	GSZ160241B*	COMFORT-AIRE	CMH36PM2M + TD	22800	14.50	12.00	20400	8.50	12400	845	H4TXV01	USA, Canada
204278284	GOODMAN	GSZ160241B*	COMFORT-AIRE	CMH18/36PM1M + TXV + TD	22600	14.50	12.00	20400	8.50	12400	815	H4TXV01	USA, Canada
204278285	GOODMAN	GSZ160301B*	COMFORT-AIRE	CMH24/30PM1M + TXV + TD	28000	14.50	12.20	26400	8.50	13400	950	H4TXV01	USA, Canada
204278286	GOODMAN	GSZ160301B*	COMFORT-AIRE	CMH36PM2M + TXV + TD	28000	14.50	12.20	26400	8.50	13400	950	H4TXV01	USA, Canada
204278287	GOODMAN	GSZ160301B*	COMFORT-AIRE	CMH18/36PM1M + TXV + TD	28000	14.50	12.20	26400	8.50	13400	950	H4TXV01	USA, Canada
204278288	GOODMAN	GSZ160421B*	COMFORT-AIRE	CMH48PM2M + TXV + TD	38500	14.50	12.00	38000	8.50	24000	1200	H4TXV02	USA, Canada
204278289	GOODMAN	GSZ160481B*	COMFORT-AIRE	CMH42/48PM2M + TXV + TD	44500	14.50	11.70	44000	8.50	24400	1400	H4TXV02	USA, Canada
204278290	GOODMAN	GSZ160481B*	COMFORT-AIRE	CMH48PM2M + TXV + TD	45000	14.50	12.00	44000	8.50	24400	1400	H4TXV02	USA, Canada
205822057	GOODMAN	VSZ140181B*	COMFORT-AIRE	CMH36PM3M + TXV + TD	17100	14.00	11.00	17000	8.20	8400	650	H4TXV01	USA, Canada
205822058	GOODMAN	VSZ140181B*	COMFORT-AIRE	CMH24/30PM1M + TD	17600	14.00	11.50	17000	8.20	8400	650	H4TXV01	USA, Canada
205822059	GOODMAN	VSZ140241B*	COMFORT-AIRE	CMH36PM3M + TXV + TD	22800	14.00	11.00	22200	8.20	11400	775	H4TXV01	USA, Canada
205822060	GOODMAN	VSZ140241B*	COMFORT-AIRE	CMH24/30PM1M + TD	23200	14.00	11.70	22200	8.20	11400	775	H4TXV01	USA, Canada
205822061	GOODMAN	VSZ140301A*	COMFORT-AIRE	CMH36PM2M + TXV + TD	27600	14.00	12.00	27800	8.20	14600	870	H4TXV01	USA, Canada
205822062	GOODMAN	VSZ140361A*	COMFORT-AIRE	CMH36PM2M + TXV + TD	33000	14.00	11.00	32000	8.20	18400	1070	H4TXV02	USA, Canada
205822063	GOODMAN	VSZ140481A*	COMFORT-AIRE	CMH48PM2M + TXV + TD	43500	14.00	11.00	43500	8.20	26000	1450	H4TXV02	USA, Canada
205876756	GOODMAN	VSZ140181B*	COMFORT-AIRE	CMH18/36PM1M + TD	17500	14.00	11.50	17400	8.20	8400	650	H4TXV01	USA, Canada
205876760	GOODMAN	VSZ140241B*	COMFORT-AIRE	CMH18/36PM1M + TD	23200	14.00	11.50	22600	8.20	11400	775	H4TXV01	USA, Canada
205876762	GOODMAN	VSZ140301A*	COMFORT-AIRE	CMH18/36PM1M + TXV + TD	28200	14.00	11.70	27800	8.20	14600	870	H4TXV01	USA, Canada
205639783	MARATHERM	R4H424(A,G)KP**	COMFORT-AIRE	CMH18/36PM1M + TXV + TD	22200	14.00	11.70	20000	8.50	11600	800	H4TXV01	USA, Canada
205639784	MARATHERM	R4H424(A,G)KP**	COMFORT-AIRE	CMH18/24PM3M + TXV + TD	21600	14.00	11.00	20000	8.50	11600	800	H4TXV01	USA, Canada
205639785	MARATHERM	R4H424(A,G)KP**	COMFORT-AIRE	CMH36PM3M + TXV + TD	22200	14.00	11.70	20000	8.50	11600	800	H4TXV01	USA, Canada
205639786	MARATHERM	R4H430(A,G)KP**	COMFORT-AIRE	CMH18/36PM1M + TXV + TD	28600	14.50	12.00	26200	8.20	15400	1050	H4TXV01	USA, Canada
205639787	MARATHERM	R4H430(A,G)KP**	COMFORT-AIRE	CMH36PM3M + TXV + TD	28600	14.00	11.70	26200	8.20	15400	1050	H4TXV01	USA, Canada

**(In reference to coil model number) NOTE: 21" coil for use in EB/EBE-Series downflow application W 3500-8602 cabinet extension. Not for use in DGAA/DGAX-Series gas furnace.*

HP MATCHES

AHRI Certified Reference Number	Outdoor Unit Brand Name	Outdoor Unit Model Number	Indoor Unit Brand Name	Indoor Evaporator	BTUH	SEER	EER	Heating Capacity 47F	HSPF	Heating Capacity 17F	CFM	TXV Needed	Sold In
205639788	MARATHERM	R4H436(A,G)KP**	COMFORT-AIRE	CMH18/36PM1M+TXV+TD	32800	14.50	12.00	32800	8.20	18800	1050	H4TXV02	USA, Canada
205639789	MARATHERM	R4H436(A,G)KP**	COMFORT-AIRE	CMH36PM3M+TXV+TD	32800	14.00	11.70	32800	8.20	18800	1050	H4TXV02	USA, Canada
205639790	MARATHERM	R4H436(A,G)KP**	COMFORT-AIRE	CMH36PM2M+TXV+TD	32800	14.50	12.00	32800	8.20	19000	1075	H4TXV02	USA, Canada
205639791	MARATHERM	R4H442(A,G)KP**	COMFORT-AIRE	CMH42/48PM2M+TXV+TD	40000	14.00	11.70	39000	8.20	23800	1225	H4TXV02	USA, Canada
205639792	MARATHERM	R4H442(A,G)KP**	COMFORT-AIRE	CMH48PM2M+TXV+TD	40000	14.00	12.00	39000	8.20	23800	1225	H4TXV02	USA, Canada
205639794	MARATHERM	R4H442(A,G)KP**	COMFORT-AIRE	CMH42/48PM1M+TXV+TD	39500	14.00	11.00	39000	8.20	23800	1225	H4TXV02	USA, Canada
205652795	PAYNE HEATING AND COOLING	PH14NB024P0**A*	COMFORT-AIRE	CMH18/36PM1M+TXV+TD	22200	14.00	11.70	20000	8.50	11500	800	H4TXV01	USA, Canada
205652796	PAYNE HEATING AND COOLING	PH14NB024P0**A*	COMFORT-AIRE	CMH18/24PM3M+TXV+TD	21600	14.00	11.00	20000	8.50	11500	800	H4TXV01	USA, Canada
205652797	PAYNE HEATING AND COOLING	PH14NB024P0**A*	COMFORT-AIRE	CMH36PM3M+TXV+TD	22200	14.00	11.70	20000	8.50	11500	800	H4TXV01	USA, Canada
205652798	PAYNE HEATING AND COOLING	PH14NB030P0**A*	COMFORT-AIRE	CMH36PM3M+TXV+TD	28600	14.00	11.70	26200	8.20	15400	1010	H4TXV01	USA, Canada
205652799	PAYNE HEATING AND COOLING	PH14NB036P0**B*	COMFORT-AIRE	CMH36PM3M+TXV+TD	32800	14.00	11.70	32800	8.20	19000	1075	H4TXV02	USA, Canada
205652800	PAYNE HEATING AND COOLING	PH14NB036P0**B*	COMFORT-AIRE	CMH36PM2M+TXV+TD	32800	14.50	12.00	32800	8.20	19000	1075	H4TXV02	USA, Canada
205652801	PAYNE HEATING AND COOLING	PH14NB042P0**A*	COMFORT-AIRE	CMH42/48PM1M+TXV+TD	39500	14.00	11.00	39000	8.20	23800	1225	H4TXV02	USA, Canada
205652802	PAYNE HEATING AND COOLING	PH14NB042P0**A*	COMFORT-AIRE	CMH42/48PM2M+TXV+TD	40000	14.00	11.70	39000	8.20	23800	1225	H4TXV02	USA, Canada
205652803	PAYNE HEATING AND COOLING	PH14NB042P0**A*	COMFORT-AIRE	CMH48PM2M+TXV+TD	40000	14.00	12.00	39000	8.20	23800	1225	H4TXV02	USA, Canada

[†](In reference to coil model number) NOTE: 21" coil for use in EB/EBE-Series downflow application W 3500-8602 cabinet extension.
Not for use in DGAA/DGAX-Series gas furnace.

CMH Series

DIMENSIONS

Coil Model	Nominal Tonnage	Dimensions			Weight	Pallet Qty	R-22 Piston
		Pan Widths (W)"	Pan Depth (D)"	Coil Height (H)"			
CMH18/36PM1M	1.5 - 3	18"	19-1/2"	17"	32	8	0.067
CMH24/30PM1M	2 - 2.5	18"	19-1/2"	19"	35	8	0.059
CMH36PM2M	2.5 - 3	18"	19-1/2"	19"	45	8	0.067
CMH42/48PM1M	3.5 - 4	18"	19-1/2"	19"	35	8	0.076
CMH42/48PM2M	3.5 - 4	18"	19-1/2"	19"	45	8	0.076
CMH48PM2M	3.5 - 4	18"	19-1/2"	21"*	48	4	0.076

*(In reference to coil model number) NOTE: 21" coil for use in EB/EBE-Series downflow application W 3500-8602 cabinet extension.
Not for use in DGAA/DGAX-Series gas furnace.

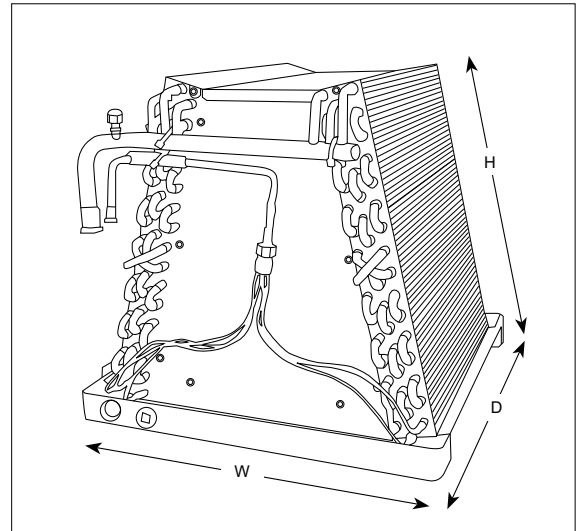
SERVICE COIL DIMENSIONS

Coil Model	Nominal Tonnage	Dimensions			Weight	Pallet Qty	R-22 Piston
		Pan Widths (W)"	Pan Depth (D)"	Coil Height (H)"			
CMH18/24PM3M	1.5 - 2	18"	19.5"	11"	22	8	0.053
CMH36PM3M	3	18"	19.5"	15"	28	8	0.073
CMH42/60PM3M	3.5 - 5	18"	19.5"	19"	45	8	*0.093

Coils are shipped with R-410A pistons already installed. *Same Piston is used for R-22 and R-410A
These are Replacement Service Coils "Only" and are not RATED. For Manufactured Housing Use Only

PISTONS

Description	Piston Size	Part Number	Tonnage Outdoor Unit
R-22 Pistons	41	176799941	12
	53	176799953	18
	59	176799959	24
	67	176799967	30
	73	176799973	36
	80	176799980	42
	84	176799984	48
R-410A Pistons	93	176799993	60
	41	176799941	12
	49	176799949	18
	53	176799953	24
	59	176799959	30
	67	176799967	36
	73	176799973	42
	76	176799976	48
	93	176799993	60



"This product complies with all California product labeling laws including, but not limited to, the Safe Drinking Water and Toxic Enforcement Act of 1986, more commonly known as Proposition 65."

Due to ongoing product improvements, specifications and dimensions are subject to change and correction without notice or incurring obligations. Determining the application and suitability for use of any product is the responsibility of the installer. Additionally, the installer is responsible for verifying dimensional data on the actual product prior to beginning any installation preparations.

Third party incentive and rebate programs have precise requirements as to product performance and certification. All products meet applicable regulations in effect on date of manufacture; however, certifications are not necessarily granted for the life of a product. Therefore, it is the responsibility of the applicant to determine whether a specific model qualifies for these incentive/rebate programs.