



RWMV

Parts List
04-June-2019



*This parts list is current as of the above revision date.
See <http://www.rheempartslists.net/92-42800-RWMV.pdf> for the current revision.*

Air Handlers

Table of Contents

Model Explanation	Page 3
Parts Numbers	
Panels - Miscellaneous	Page 4
Electrical Group	Page 5
Blower Group	Page 6
Coil Parts	Page 7
Drawings/Photographs	
Cabinet Assembly	Page 8
Door Assembly	Page 9
Cabinet-Coil Assembly	Page 10
Coil Assembly	Page 11
Cabinet-Blower Assembly	Page 12
Blower Assembly	Page 13
Thermistors	Page 14
Notes/Disclaimer	Page 15

MODEL NUMBER EXPLANATION

R	W	M	V	-	04	A	24	14	N	A	A	***
1	2	3	4		5	6	7	8	9	10	11	12

- | | |
|---|--|
| <p>1 TRADE BRAND DESIGNATION</p> <p>2 W = HYDRONIC AIR HANDLER</p> <p>3 STAGE OF AIR FLOW
 1 = SINGLE
 2 = Two Stage
 M = Modulating</p> <p>4 MOTOR TYPE
 T = Constant Torque
 V = Variable Speed
 P = PSC</p> <p>5 NOMINAL CAPACITY (BTU/HR)
 04 = 40,000
 06 = 60,000
 08 = 80,000
 10 = 100,000</p> <p>6 MAJOR SERIES
 A = First</p> <p>7 MAXIMUM COOLING AIRFLOW TONNAGE
 24 = Up to 2 Ton
 36 = Up to 3 Ton
 48 = 2.5 to 4 Ton
 60 = 3 to 5 Ton</p> | <p>8 WIDTH (inches)
 14 = 14
 17 = 17.5
 21 = 21
 24 = 24.5</p> <p>9 CONTROLS
 C = Communicating
 N = Non-Communicating</p> <p>10 VOLTAGE
 A = 115/1/60</p> <p>11 MINOR SERIES
 A = First</p> <p>12 OPTION CODE (***)
 Blank = None
 415 = No Pump</p> |
|---|--|

SERIAL NUMBER EXPLANATION

W	0	4	1	0	9	9	9	9	9
1	2		3		4				

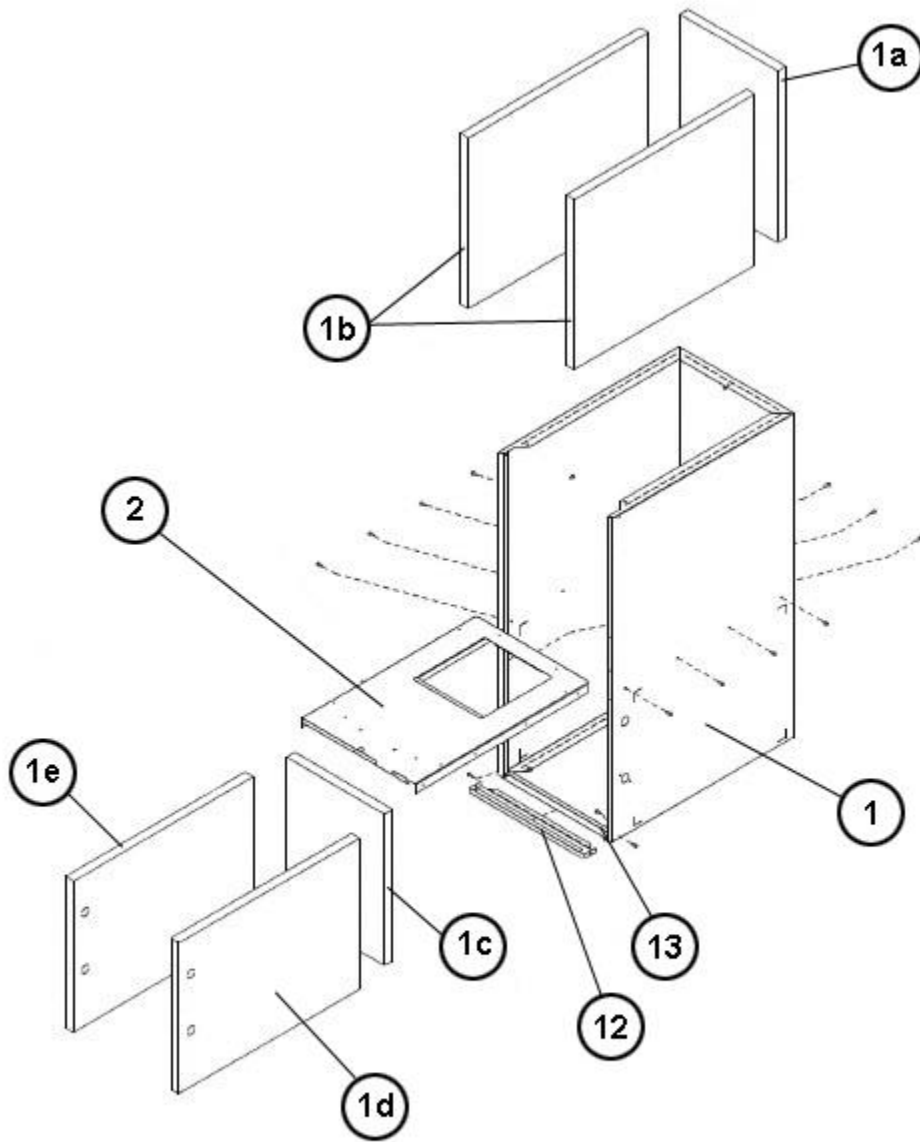
- 1** **PLANT CODE**
 W = Nuevo Laredo (West)
- 2** **WEEK OF PRODUCTION**
- 3** **YEAR OF PRODUCTION**
- 4** **PRODUCTION NUMBER**

No.	Notes	MODEL	RWMV	RWMV	RWMV	RWMV
		CAPACITY/MAJOR SERIES	04A	06A	08A	10A
		MAXIMUM AIRFLOW TONNAGE	24	36	48	60
		WIDTH	14	17	21	21
		CONTROLS	N	N	N	N
		VOLTAGE/MINOR SERIES	AA	AA	AA	AA
PANELS, SHEET METAL, MISCELLANEOUS						
1		Jacket - Granite/Steel Gray	N/A	N/A	N/A	N/A
1a		Top/Back Insulation - Jacket	68-105550-01	68-105550-02	68-105550-03	68-105550-04
1b		Top/Side Insulation - Jacket (2)	68-105474-01	68-105474-01	68-105474-01	68-105474-02
1c		Bottom/Back Insulation - Jacket	68-105475-01	68-105475-02	68-105475-03	68-105475-04
1d		Bottom/Left Side Insulation - Jacket	68-105548-01	68-105548-01	68-105548-01	68-105548-02
1e		Bottom/Right Side Insulation - Jacket	68-105549-01	68-105549-01	68-105549-01	68-105549-02
2		Blower Shelf Assembly	AS-105060-01	AS-105060-02	AS-105060-03	AS-105060-04
3		Coil (Top) Door Assembly - Granite/Steel Gray	AE-104447-01	AE-104447-02	AE-104447-03	AE-104447-04
3a		Insulation - Coil Door	68-104718-01	68-104718-02	68-104718-03	68-104718-04
4		Blower (Bottom) Door Assembly - Granite/Steel Gray	AE-104447-05	AE-104447-06	AE-104447-07	AE-104447-08
4a		Insulation - Blower Door	68-104718-05	68-104718-06	68-104718-07	68-104718-08
5		Button Plug (3)	45-103596-06	45-103596-06	45-103596-06	45-103596-06
		Shorty Plug (2)	45-24125-01	45-24125-01	45-24125-01	45-24125-01
6		Solid Bottom	AE-105479-01	AE-105479-02	AE-105479-03	AE-105479-04
7		Cover - Junction Box	AE-61476-02	AE-61476-02	AE-61476-02	AE-61476-02
8		Junction Box	AE-61475-02	AE-61475-02	AE-61475-02	AE-61475-02
9		Switch - Push Button	42-22692-09	42-22692-09	42-22692-09	42-22692-09
10		Header Door	AE-105514-01	AE-105514-02	AE-105514-03	AE-105514-04
11		Insulation - Header Door	68-105547-01	68-105547-02	68-105547-03	68-105547-04
12		Plate - Top/Bottom (2)	AE-104397-01	AE-104397-02	AE-104397-03	AE-104397-04
13		Brace - Top/Bottom Interior (2)	AE-104452-01	AE-104452-02	AE-104452-03	AE-104452-04

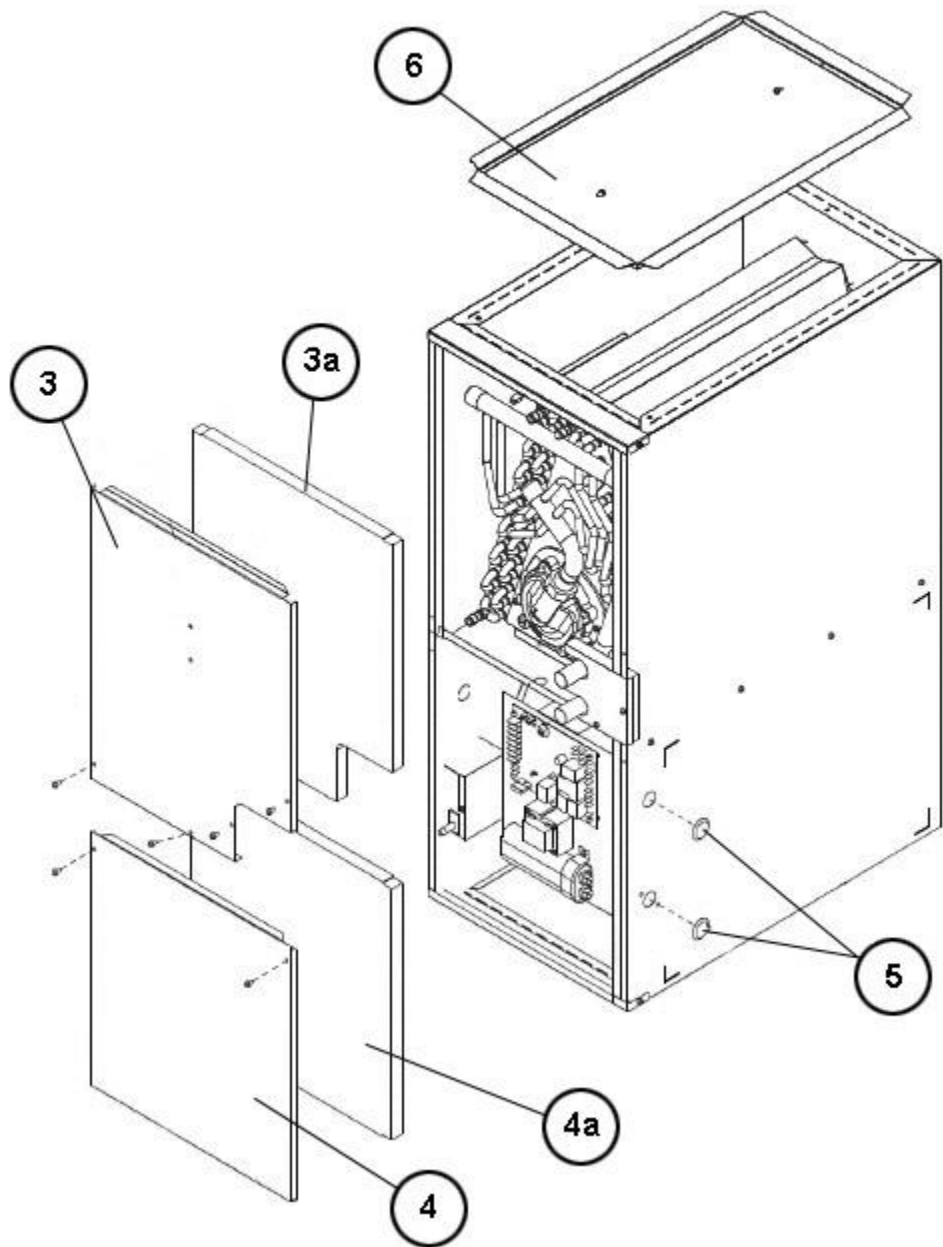
No.	Notes	MODEL	RWMV	RWMV	RWMV	RWMV
		CAPACITY/MAJOR SERIES	04A	06A	08A	10A
		MAXIMUM AIRFLOW TONNAGE	24	36	48	60
		WIDTH	14	17	21	21
		CONTROLS	N	N	N	N
		VOLTAGE/MINOR SERIES	AA	AA	AA	AA
ELECTRICAL GROUP						
20	Stk	Transformer	46-24124-03	46-24124-03	46-24124-03	46-24124-03
21	Stk	Control Board (Econet)	47-105415-01	47-105415-01	47-105415-01	47-105415-01
22	Stk	Board - Taco Pump Control (TPC)	47-106234-01	47-106234-01	47-106234-01	47-106234-01
		Thermistor	See Coil Group			
		Wiring Harness - 4 pin connector from P1 on control board to TPC	45-106229-01	45-106229-01	45-106229-01	45-106229-01
		Ambient Sensor - Leaving Air Temperature (2 pin connector)	47-102709-05	47-102709-05	47-102709-05	47-102709-05
		Ambient Sensor - Returning Air Temperature (3 pin connector)	47-102709-08	47-102709-08	47-102709-08	47-102709-08
		Wiring Harness - Taco Pump Control to Pump (3 pin connector to TPC)	45-106479-01	45-106479-01	45-106479-01	45-106479-01
		Sensor/Clip Assembly - Water Inlet Temperature (2 bare wire lead connections)	47-102710-24	47-102710-24	47-102710-24	47-102710-24
		Sensor/Clip Assembly - Water Inlet Temperature (2 pin connector)	47-102710-25	47-102710-25	47-102710-25	47-102710-25
		Wiring Harness - A/C Pressure Transducer (3 pin connector)	45-104130-03	45-104130-03	45-104130-03	45-104130-03
		Wiring Harness - 9 Pin Molex to 9 stripped wires (for T-Stat)	45-101891-02	45-101891-02	45-101891-02	45-101891-02
23		Terminal Block	45-106539-01	45-106539-01	45-106539-01	45-106539-01
24	Stk	Power Factor Choke	N/A	N/A	46-24256-05	46-24256-05
		Taco Water Pump	See Coil Group			
		Wiring Harness - Junction Box (4 pin connector)	45-24371-12	45-24371-12	45-24371-12	45-24371-12
		Wiring Harness - Indoor Blower Motor (4 pin connector)	45-24371-56	45-24371-56	45-24371-56	45-24371-56
		Wiring Harness - 5 pin from motor to transformer and 2 pin Power Factor Choke (PFC) connector	45-104317-01	45-104317-01	45-104317-01	45-104317-01
		Jumper - for 2 pin PFC connector	45-104318-01	45-104318-01	NA	NA

No.	Notes	MODEL	RWMV	RWMV	RWMV	RWMV
		CAPACITY/MAJOR SERIES	04A	06A	08A	10A
		MAXIMUM AIRFLOW TONNAGE	24	36	48	60
		WIDTH	14	17	21	21
		CONTROLS	N	N	N	N
		VOLTAGE/MINOR SERIES	AA	AA	AA	AA
BLOWER GROUP						
30	Stk	Blower Assembly (Includes Items Listed Below)	AS-104845-17	AS-104845-18	AS-104845-19	AS-104845-20
30a		Blower Housing (with wheel)	70-104847-01	70-104847-02	70-104847-03	70-104847-04
	Stk	Blower Wheel	PD706267	PD706268	PD706269	PD706270
		Motor Mount Kit: includes grommets, screws, nuts, motor mount band, and motor mount arms	AS-53148-91	AS-53148-91	AS-53148-91	AS-53148-91
31		Motor Mount (Belly Band)	70-19927-04	70-19927-04	70-19927-04	70-19927-04
32		Motor Mount Arm (4)	70-19929-10	70-19929-10	70-19929-10	70-19929-10
33	Stk	Blower Motor	51-102601-01	51-102602-01	51-102603-01	51-102603-01
34		Blower Bracket (2)	AE-105480-01	AE-105480-01	AE-105480-01	AE-105480-01
35		Mounting Bracket (Control Board)	AE-105438-01	AE-105438-01	AE-105438-01	AE-105438-01

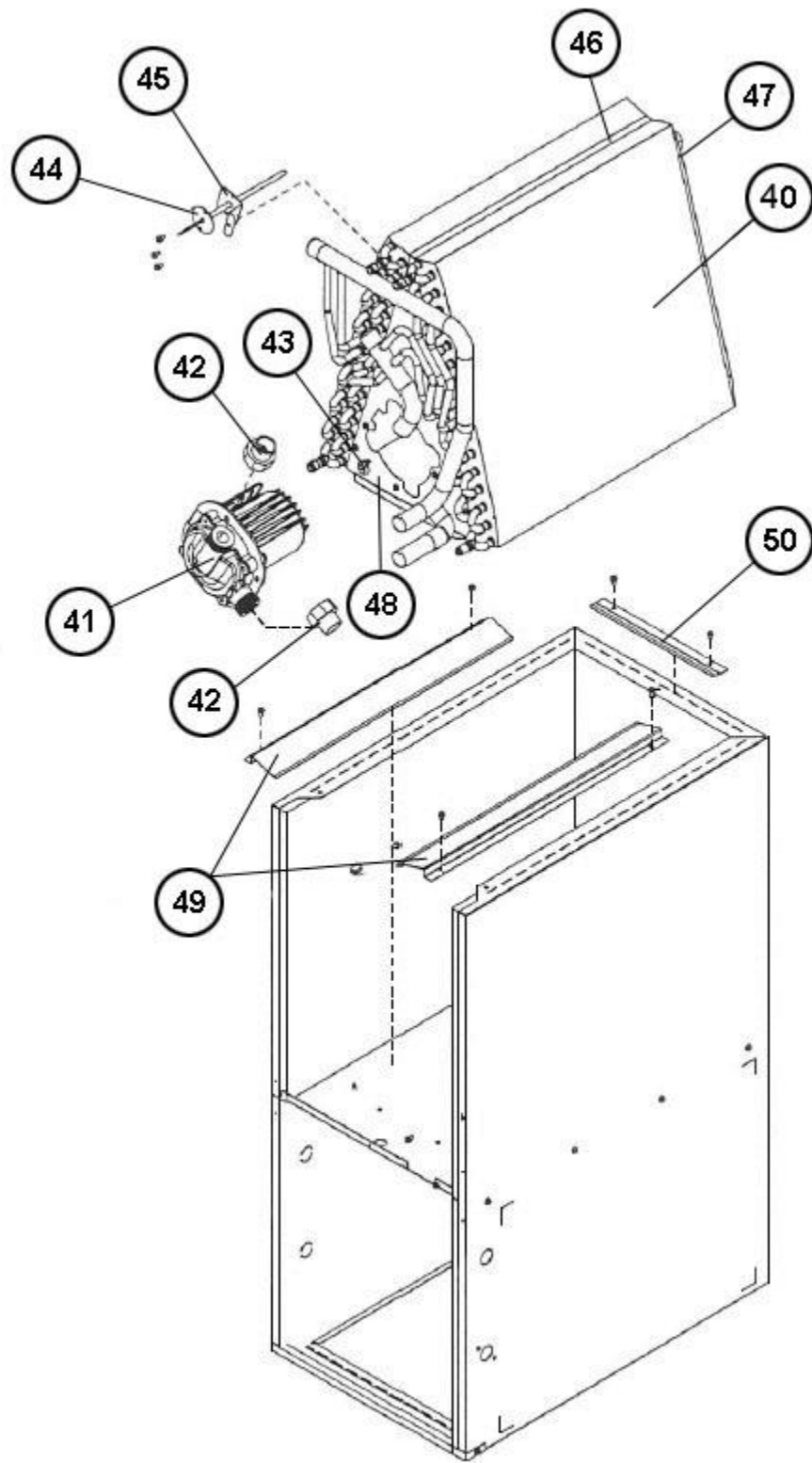
No.	Notes	MODEL	RWMV	RWMV	RWMV	RWMV
		CAPACITY/MAJOR SERIES	04A	06A	08A	10A
		MAXIMUM AIRFLOW TONNAGE	24	36	48	60
		WIDTH	14	17	21	21
		CONTROLS	N	N	N	N
		VOLTAGE/MINOR SERIES	AA	AA	AA	AA
COIL GROUP						
40	Stk	Coil Assembly (Includes Water Pump)	AS-104403-01	AS-104403-02	AS-104403-03	AS-104403-04
41	Stk	Taco Water Pump	38-103340-04	38-103340-04	38-103340-04	38-103340-04
42	Stk	Half Union Adapter Kit (2) - (Nut, Collar, Washer)	82-103351-01	82-103351-01	82-103351-01	82-103351-01
43		Strain Relief (Front Air Stop)	45-103252-03	45-103252-03	45-103252-03	45-103252-03
		Ambient Sensor	See Electrical Group			
44		Thermistor - Duct Mount	47-24225-01	47-24225-01	47-24225-01	47-24225-01
44a		Thermistor	47-24225-07	47-24225-07	47-24225-07	47-24225-07
45		Bracket - Thermistor (Left Endplate)	AE-104840-01	AE-104840-01	AE-104840-01	AE-104840-01
45a		Bracket - Thermistor (Right Endplate)	AE-106224-01	AE-106224-01	AE-106224-01	AE-106224-01
46		Air Stop - Top	AE-104421-01	AE-104421-02	AE-104421-03	AE-104421-04
47		Air Stop - Back	AE-104415-05	AE-104415-06	AE-104415-07	AE-104415-08
48		Air Stop - Front	AE-104415-01	AE-104415-02	AE-104415-03	AE-104415-04
49		Bottom Air Stop (2)	AE-104420-01	AE-104420-02	AE-104420-03	AE-104420-04
50		Coil Retainer	AE-104418-01	AE-104418-02	AE-104418-03	AE-104418-04
51		Access Valve Cap	83-100635-01 (4)	83-100635-01 (4)	83-100635-01 (4)	83-100635-01 (4)
52		Valve Core - Bulkhead Valve	61-18551-01 (4)	61-18551-01 (4)	61-18551-01 (4)	61-18551-01 (4)
53		Bulkhead Valve	61-22369-04 (4)	61-22369-04 (4)	61-22369-04 (4)	61-22369-04 (4)



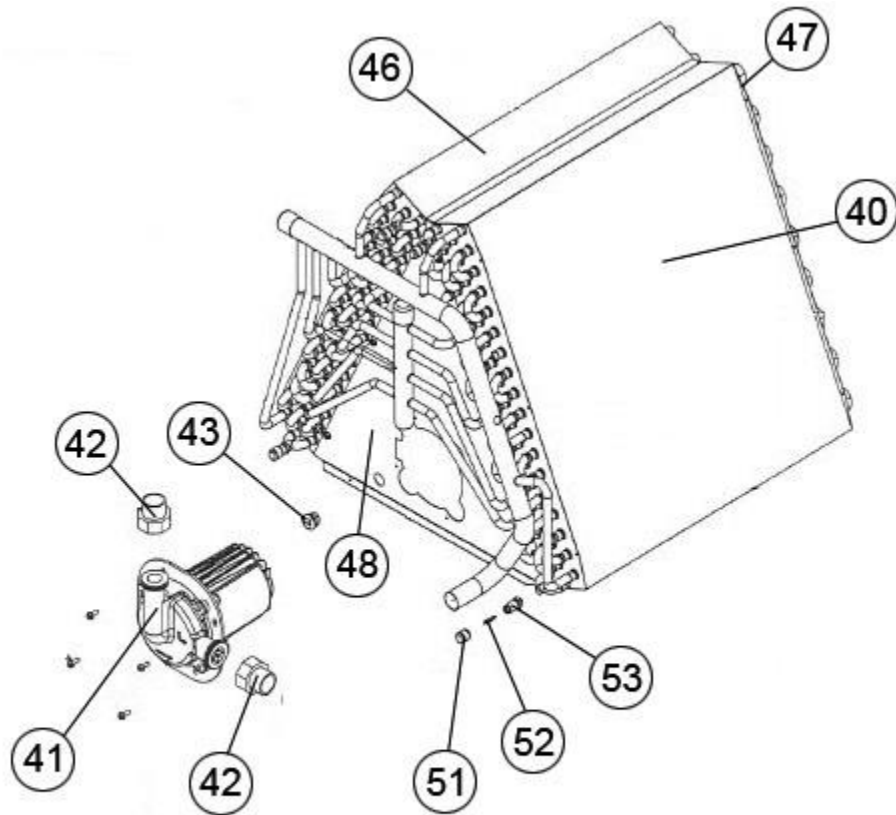
Cabinet Assembly



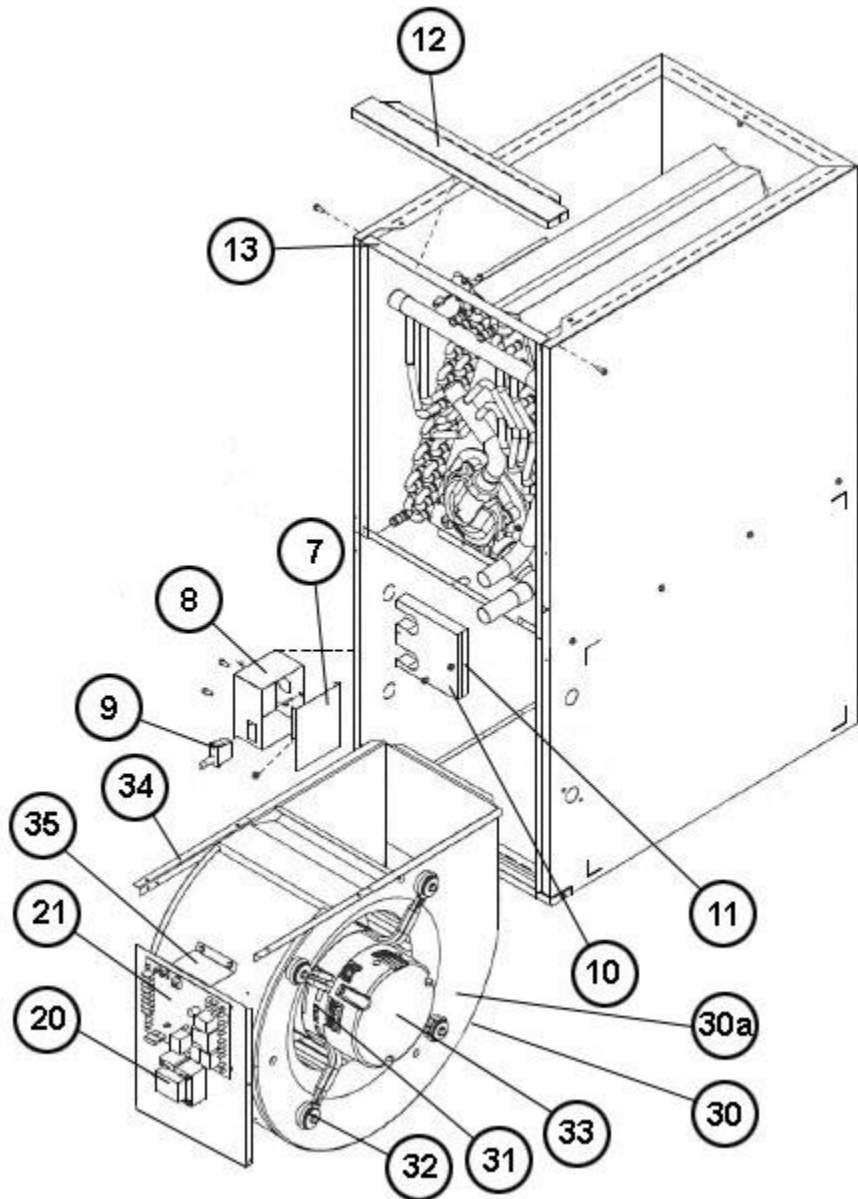
Door Assembly



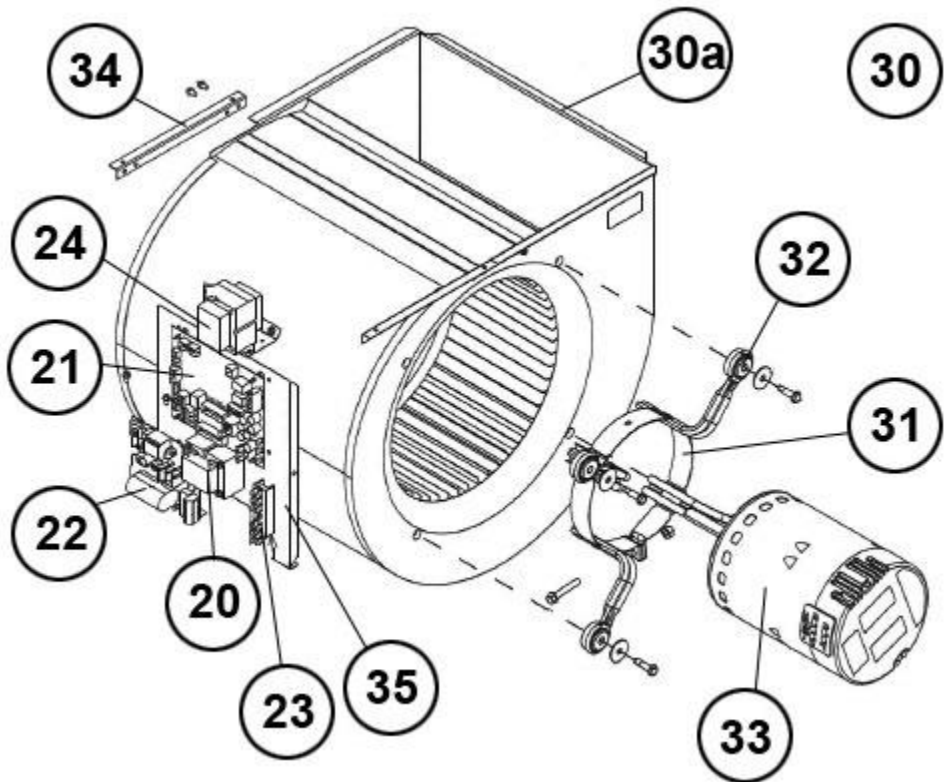
Cabinet-Coil Assembly



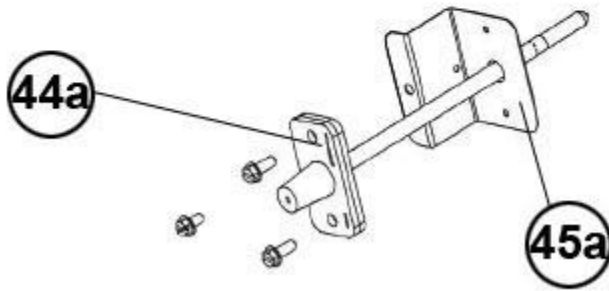
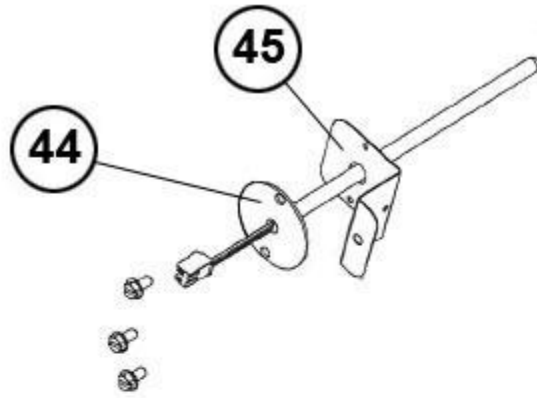
Coil Assembly



Cabinet-Blower Assembly



Blower Assembly



Thermistors

NOTES

Stk It is recommended that stock be maintained for this part.
N/A Not Applicable

DISCLAIMER: This document is intended to provide general replacement parts information to aid qualified service personnel in the repair of these models. The complete Model and Serial Number of the unit under repair should be specified when selecting and ordering replacement parts. Specifications and illustrations are subject to change without notice. Document 92-42800-RWMV supersedes all previous parts lists for these models. See <http://www.rheempartslists.net/92-42800-RWMV> for the latest revision of this document. The manufacturer assumes no obligation for errors or omissions. Service personnel must verify the proper and safe operation of equipment after the replacement of any original components.