



RW1P

Parts List
12-September-2018



*This parts list is current as of the above revision date.
See <http://www.rheempartslists.net/92-42800-RW1P.pdf> for the current revision.*

Air Handlers

Table of Contents

Model Explanation	Page 3
Parts Numbers	
Panels - Miscellaneous	Page 4
Electrical Group	Page 5
Blower Group	Page 6
Coil Parts	Page 7
Drawings/Photographs	
Cabinet Assembly	Page 8
Door Assembly	Page 9
Coil - Pump Assembly	Page 10
Coil Assembly - 415 Option	Page 11
Blower Assembly	Page 12
Notes/Disclaimer	Page 13

MODEL NUMBER EXPLANATION

R	W	1	P	-	04	A	24	14	N	A	A	***
1	2	3	4		5	6	7	8	9	10	11	12

- | | |
|---|--|
| <p>1 TRADE BRAND DESIGNATION</p> <p>2 W = HYDRONIC AIR HANDLER</p> <p>3 STAGE OF AIR FLOW
 1 = Single
 2 = Two Stage
 M = Modulating</p> <p>4 MOTOR TYPE
 T = Constant Torque
 V = Variable Speed
 P = PSC</p> <p>5 NOMINAL CAPACITY (BTU/HR)
 04 = 40,000
 06 = 60,000
 08 = 80,000
 10 = 100,000</p> <p>6 MAJOR SERIES
 A = First</p> <p>7 MAXIMUM COOLING AIRFLOW TONNAGE
 24 = Up to 2 Ton
 36 = Up to 3 Ton
 48 = 2.5 to 4 Ton
 60 = 3 to 5 Ton</p> | <p>8 WIDTH (inches)
 14 = 14
 17 = 17.5
 21 = 21
 24 = 24.5</p> <p>9 CONTROLS
 C = Communicating
 N = Non-Communicating</p> <p>10 VOLTAGE
 A = 115/1/60</p> <p>11 MINOR SERIES
 A = First</p> <p>12 OPTION CODE (***)
 Blank = None
 415 = No Pump</p> |
|---|--|

SERIAL NUMBER EXPLANATION

W	0	4	1	0	9	9	9	9	9
1	2	3	4						

- 1** **PLANT CODE**
W = Nuevo Laredo (West)
- 2** **WEEK OF PRODUCTION**
- 3** **YEAR OF PRODUCTION**
- 4** **PRODUCTION NUMBER**

No.	Notes	MODEL	RW1P	RW1P	RW1P	RW1P
		CAPACITY/MAJOR SERIES	04A	06A	08A	10A
		MAXIMUM AIRFLOW TONNAGE	24	36	48	60
		WIDTH	14	17	21	21
		CONTROLS	N	N	N	N
		VOLTAGE/MINOR SERIES	AA/AA415	AA/AA415	AA/AA415	AA/AA415
PANELS, SHEET METAL, MISCELLANEOUS						
1		Jacket - Granite/Steel Gray	N/A	N/A	N/A	N/A
1a		Top/Back Insulation - Jacket	68-105550-01	68-105550-02	68-105550-03	68-105550-04
1b		Top/Side Insulation - Jacket (2)	68-105474-01	68-105474-01	68-105474-01	68-105474-02
1c		Bottom/Back Insulation - Jacket	68-105475-01	68-105475-02	68-105475-03	68-105475-04
1d		Bottom/Left Side Insulation - Jacket	68-105548-01	68-105548-01	68-105548-01	68-105548-02
1e		Bottom/Right Side Insulation - Jacket	68-105549-01	68-105549-01	68-105549-01	68-105549-02
2		Blower Shelf Assembly	AS-105060-01	AS-105060-02	AS-105060-03	AS-105060-04
3		Coil (Top) Door Assembly - Granite/Steel Gray	AE-104447-01	AE-104447-02	AE-104447-03	AE-104447-04
3a		Insulation - Coil Door	68-104718-01	68-104718-02	68-104718-03	68-104718-04
3b		Badge - Top Door	91-103112-08	91-103112-08	91-103112-08	91-103112-08
4		Blower (Bottom) Door Assembly - Granite/Steel Gray	AE-104447-05	AE-104447-06	AE-104447-07	AE-104447-08
4a		Insulation - Blower Door	68-104718-05	68-104718-06	68-104718-07	68-104718-08
5		Button Plug (3)	45-103596-06	45-103596-06	45-103596-06	45-103596-06
		Shorty Plug (2)	45-24125-01	45-24125-01	45-24125-01	45-24125-01
6		Solid Bottom	AE-105479-01	AE-105479-02	AE-105479-03	AE-105479-04
7		Cover - Junction Box	AE-61476-02	AE-61476-02	AE-61476-02	AE-61476-02
8		Junction Box	AE-61475-02	AE-61475-02	AE-61475-02	AE-61475-02
9		Switch - Push Button	42-22692-09	42-22692-09	42-22692-09	42-22692-09
10		Header Door	AE-105514-01	AE-105514-02	AE-105514-03	AE-105514-04
11		Insulation - Header Door	68-105547-01	68-105547-02	68-105547-03	68-105547-04
12		Plate - Top/Bottom (2)	AE-104397-01	AE-104397-02	AE-104397-03	AE-104397-04
13		Brace - Top/Bottom Interior (2)	AE-104452-01	AE-104452-02	AE-104452-03	AE-104452-04

No.	Notes	MODEL	RW1P	RW1P	RW1P	RW1P
		CAPACITY/MAJOR SERIES	04A	06A	08A	10A
		MAXIMUM AIRFLOW TONNAGE	24	36	48	60
		WIDTH	14	17	21	21
		CONTROLS	N	N	N	N
		VOLTAGE/MINOR SERIES	AA	AA	AA	AA
ELECTRICAL GROUP						
20	Stk	Transformer	46-24124-03	46-24124-03	46-24124-03	46-24124-03
21	Stk	Control Board	47-103255-02	47-103255-02	47-103255-02	47-103255-02
		Thermistor (Supply)	See Coil Group			
		Ambient Sensor (Return)	47-102709-05	47-102709-05	47-102709-05	47-102709-05
22	Stk	Capacitor - Pump	43-100496-41	43-100496-41	43-100496-41	43-100496-41
23	Stk	Capacitor - Blower Motor	43-101666-55	43-101666-42	43-101666-19	43-101666-43
24		Strap - Capacitor	AE-50892-01	AE-50892-01	AE-50892-01	AE-50892-01
		Water Pump	See Coil Group			
		Wiring Harness - 4 pin to 2 ring terminals, 1 wire, 1 terminal	45-24371-12	45-24371-12	45-24371-12	45-24371-12
		Wiring Harness - 4 Pin Connector to 3 Terminals	45-24371-56	45-24371-56	45-24371-56	45-24371-56

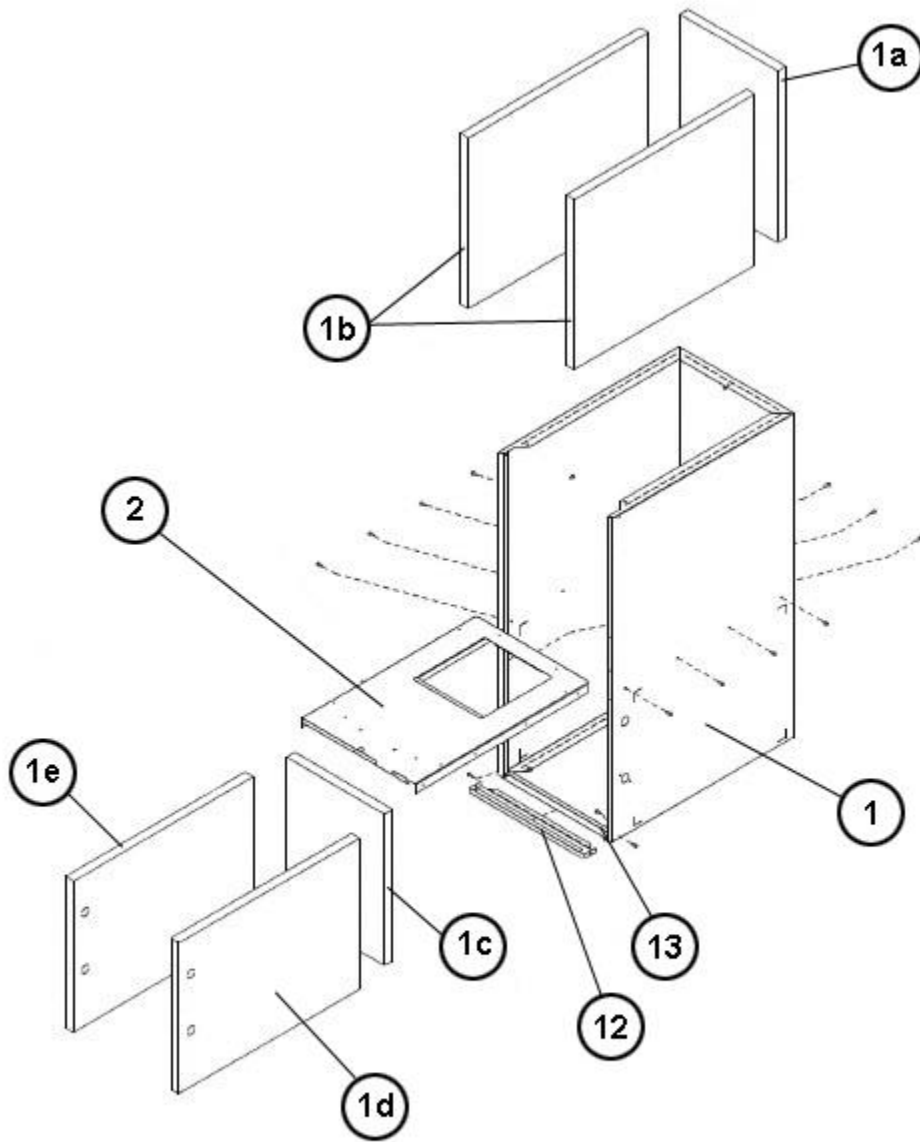
No.	Notes	MODEL	RW1P	RW1P	RW1P	RW1P
		CAPACITY/MAJOR SERIES	04A	06A	08A	10A
		MAXIMUM AIRFLOW TONNAGE	24	36	48	60
		WIDTH	14	17	21	21
		CONTROLS	N	N	N	N
		VOLTAGE/MINOR SERIES	AA415	AA415	AA415	AA415
ELECTRICAL GROUP						
20	Stk	Transformer	46-24124-03	46-24124-03	46-24124-03	46-24124-03
21	Stk	Control Board	47-103255-02	47-103255-02	47-103255-02	47-103255-02
23	Stk	Capacitor - Blower Motor	43-101666-55	43-101666-42	43-101666-19	43-101666-43
24		Strap - Capacitor	AE-50892-12	AE-50892-12	AE-50892-10	AE-50892-12
		Wiring Harness - 4 pin to 2 ring terminals, 1 wire, 1 terminal	45-24371-12	45-24371-12	45-24371-12	45-24371-12
		Wiring Harness - 4 Pin Connector to 3 Terminals	45-24371-56	45-24371-56	45-24371-56	45-24371-56

No.	Notes	MODEL	RW1P	RW1P	RW1P	RW1P
		CAPACITY/MAJOR SERIES	04A	06A	08A	10A
		MAXIMUM AIRFLOW TONNAGE	24	36	48	60
		WIDTH	14	17	21	21
		CONTROLS	N	N	N	N
		VOLTAGE/MINOR SERIES	AA	AA	AA	AA
BLOWER GROUP						
30	Stk	Blower Assembly (Includes Items Listed Below)	AS-104845-05	AS-104845-06	AS-104845-07	AS-104845-08
30a		Blower Housing (with wheel)	70-104847-01	70-104847-02	70-104847-03	70-104847-04
	Stk	Blower Wheel	PD706267	PD706268	PD706269	PD706270
		Motor Mount Kit: includes grommets, screws, nuts, motor mount, and motor mount brackets	AS-53148-91	AS-53148-91	AS-53148-91	AS-53148-91
31		Motor Mount (Belly Band)	70-19927-04	70-19927-04	70-19927-04	70-19927-04
32		Motor Mount Arm (4)	70-19929-10	70-19929-10	70-19929-10	70-19929-10
33	Stk	Blower Motor	51-105799-01	51-24042-02	51-24043-04	51-24043-03
34		Blower Bracket (2)	AE-105480-01	AE-105480-01	AE-105480-01	AE-105480-01
35		Mounting Bracket	AE-105438-01	AE-105438-01	AE-105438-01	AE-105438-01

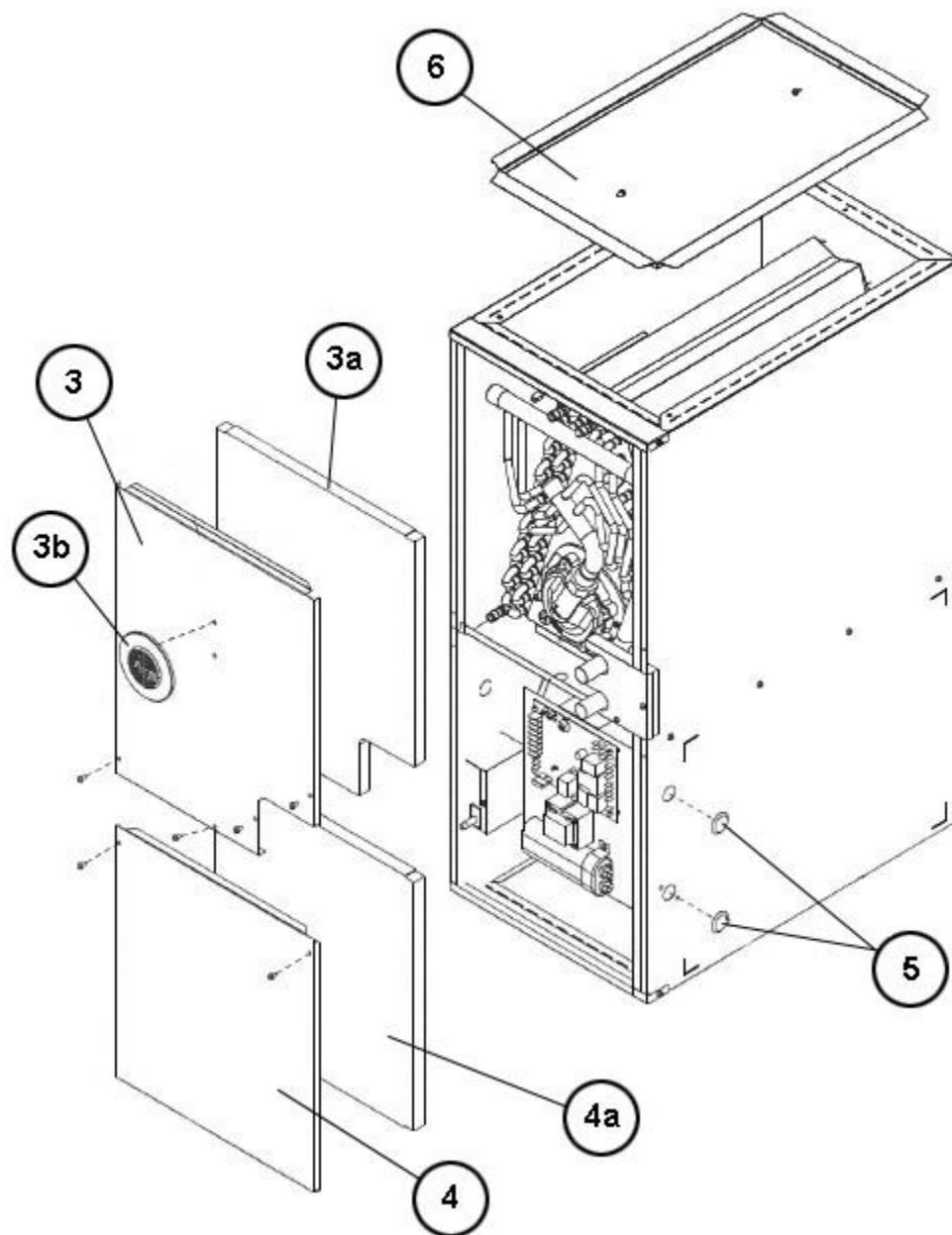
No.	Notes	MODEL	RW1P	RW1P	RW1P	RW1P
		CAPACITY/MAJOR SERIES	04A	06A	08A	10A
		MAXIMUM AIRFLOW TONNAGE	24	36	48	60
		WIDTH	14	17	21	21
		CONTROLS	N	N	N	N
		VOLTAGE/MINOR SERIES	AA415	AA415	AA415	AA415
BLOWER GROUP						
30	Stk	Blower Assembly (Includes Items Listed Below)	AS-104845-13	AS-104845-14	AS-104845-15	AS-104845-16
30a		Blower Housing (with wheel)	70-104847-01	70-104847-02	70-104847-03	70-104847-04
	Stk	Blower Wheel	PD706267	PD706268	PD706269	PD706270
		Motor Mount Kit: includes grommets, screws, nuts, motor mount, and motor mount brackets	AS-53148-91	AS-53148-91	AS-53148-91	AS-53148-91
31		Motor Mount (Belly Band)	70-19927-04	70-19927-04	70-19927-04	70-19927-04
32		Motor Mount Arm (4)	70-19929-10	70-19929-10	70-19929-10	70-19929-10
33	Stk	Blower Motor	51-105799-01	51-24042-02	51-24043-04	51-24043-03
34		Blower Bracket (2)	AE-105480-01	AE-105480-01	AE-105480-01	AE-105480-01
35		Mounting Bracket	AE-105438-01	AE-105438-01	AE-105438-01	AE-105438-01

No.	Notes	MODEL CAPACITY/MAJOR SERIES MAXIMUM AIRFLOW TONNAGE WIDTH CONTROLS VOLTAGE/MINOR SERIES	RW1P	RW1P	RW1P	RW1P
			04A 24 14 N AA	06A 36 17 N AA	08A 48 21 N AA	10A 60 21 N AA
COIL GROUP						
40	Stk	Coil Assembly (includes pump)	AS-104403-01	AS-104403-02	AS-104403-03	AS-104403-04
41	Stk	Water Pump	38-103340-04	38-103340-04	38-103340-04	38-103340-04
42	Stk	Half Union Adapter Kit (2) - (Nut, Collar, Washer)	82-103351-01	82-103351-01	82-103351-01	82-103351-01
43		Strain Relief (Front Air Stop)	45-103252-03	45-103252-03	45-103252-03	45-103252-03
		Capacitor - Pump	See Electrical Group			
44		Thermistor (Supply)	47-104844-01	47-104844-01	47-104844-01	47-104844-01
45		Bracket - Thermistor	AE-104840-01	AE-104840-01	AE-104840-01	AE-104840-01
46		Air Stop - Top	AE-104421-01	AE-104421-02	AE-104421-03	AE-104421-04
47		Air Stop - Back	AE-104415-05	AE-104415-06	AE-104415-07	AE-104415-08
48		Air Stop - Front	AE-104415-01	AE-104415-02	AE-104415-03	AE-104415-04
49		Bottom Air Stop (2)	AE-104420-01	AE-104420-02	AE-104420-03	AE-104420-04
50		Coil Retainer	AE-104418-01	AE-104418-02	AE-104418-03	AE-104418-04
54a		Access Valve Cap	83-100635-01 (4)	83-100635-01 (4)	83-100635-01 (4)	83-100635-01 (4)
54b		Valve Core - Bulkhead Valve	61-18551-01 (4)	61-18551-01 (4)	61-18551-01 (4)	61-18551-01 (4)
54c		Bulkhead Valve	61-22369-04 (4)	61-22369-04 (4)	61-22369-04 (4)	61-22369-04 (4)

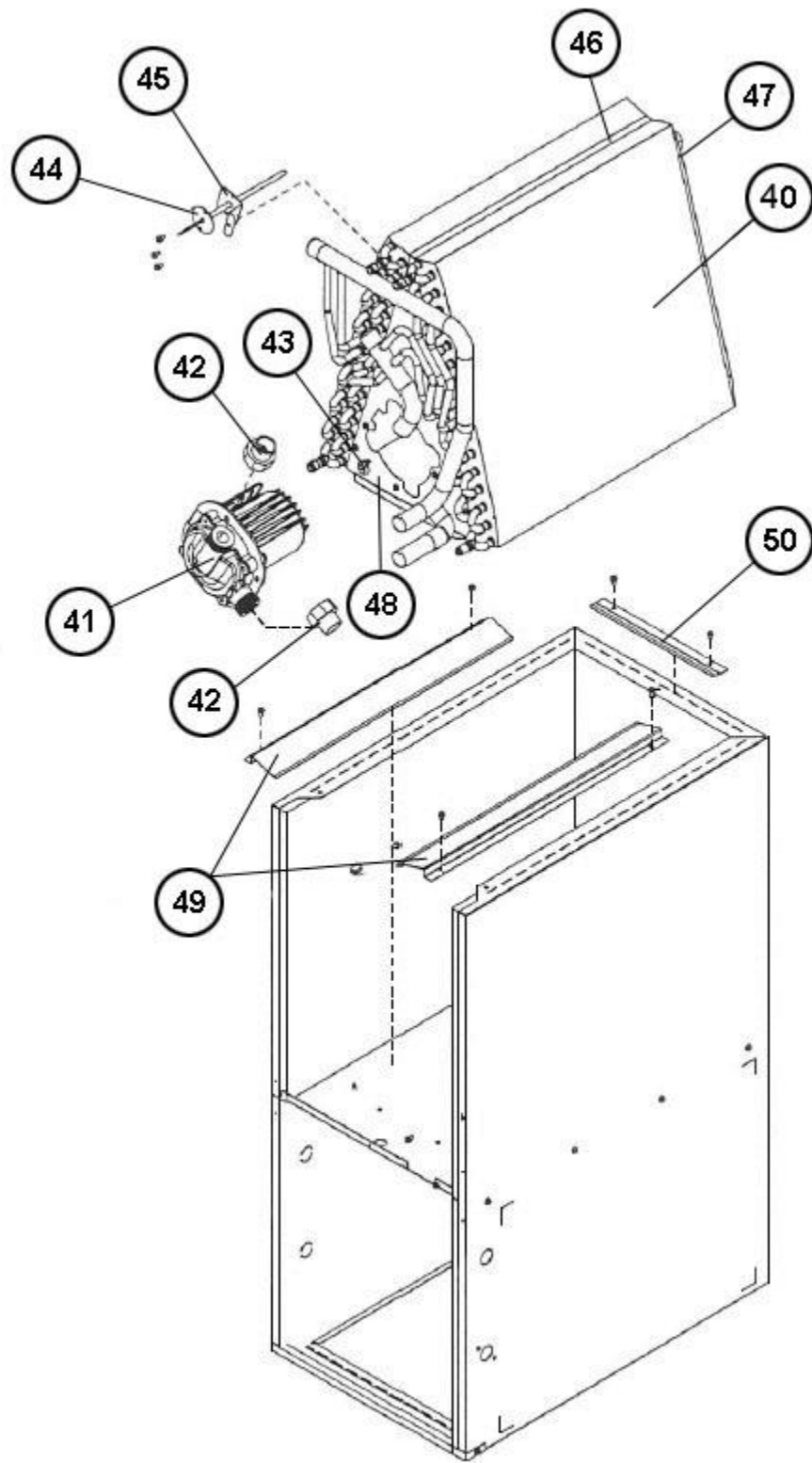
No.	Notes	MODEL CAPACITY/MAJOR SERIES MAXIMUM AIRFLOW TONNAGE WIDTH CONTROLS VOLTAGE/MINOR SERIES	RW1P	RW1P	RW1P	RW1P
			04A 24 14 N AA415	06A 36 17 N AA415	08A 48 21 N AA415	10A 60 21 N AA415
COIL GROUP						
40	Stk	Coil Assembly	AS-104403-05	AS-104403-06	AS-104403-07	AS-104403-08
46		Air Stop - Top	AE-104421-01	AE-104421-02	AE-104421-03	AE-104421-04
47		Air Stop - Back	AE-104415-05	AE-104415-06	AE-104415-07	AE-104415-08
48		Air Stop - Front	AE-104415-01	AE-104415-02	AE-104415-03	AE-104415-04
49		Bottom Air Stop (2)	AE-104420-01	AE-104420-02	AE-104420-03	AE-104420-04
50		Coil Retainer	AE-104418-01	AE-104418-02	AE-104418-03	AE-104418-04
51		Nylon Plug	45-22926-03	45-22926-03	45-22926-03	45-22926-03
52		Screw - Cover Plate (4)	63-22153-01	63-22153-01	63-22153-01	63-22153-01
53		Cover Plate	AE-105800-01	AE-105800-01	AE-105800-01	AE-105800-01
54a		Access Valve Cap	83-100635-01 (4)	83-100635-01 (4)	83-100635-01 (4)	83-100635-01 (4)
54b		Valve Core - Bulkhead Valve	61-18551-01 (4)	61-18551-01 (4)	61-18551-01 (4)	61-18551-01 (4)
54c		Bulkhead Valve	61-22369-04 (4)	61-22369-04 (4)	61-22369-04 (4)	61-22369-04 (4)



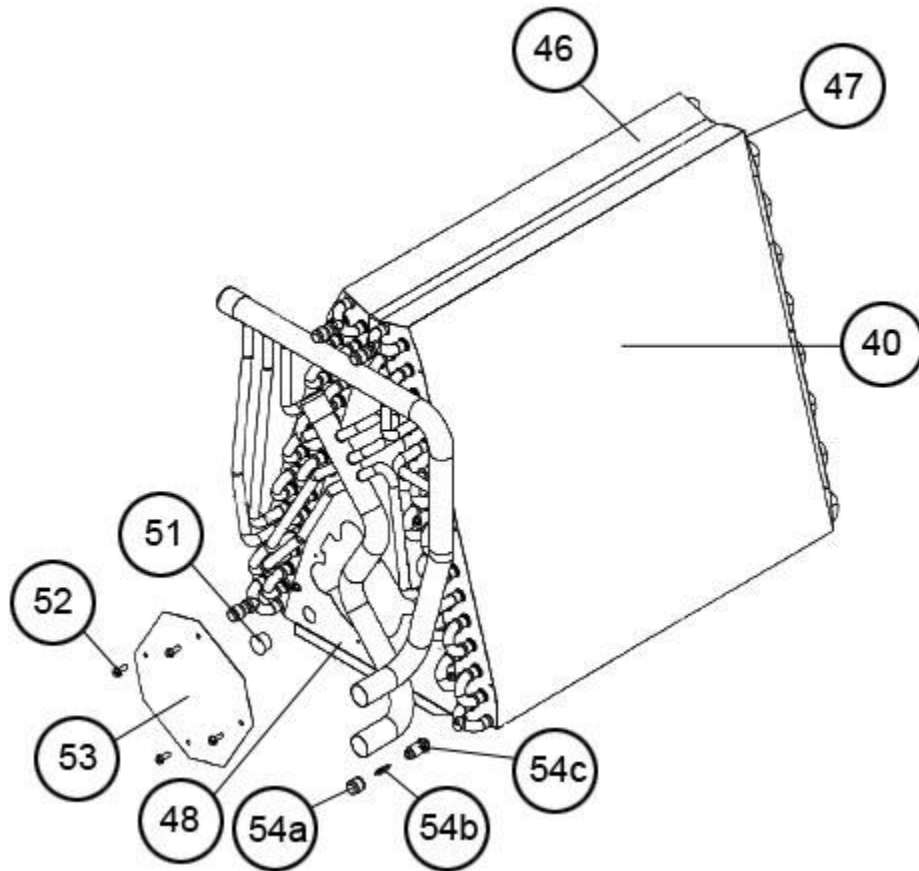
Cabinet Assembly



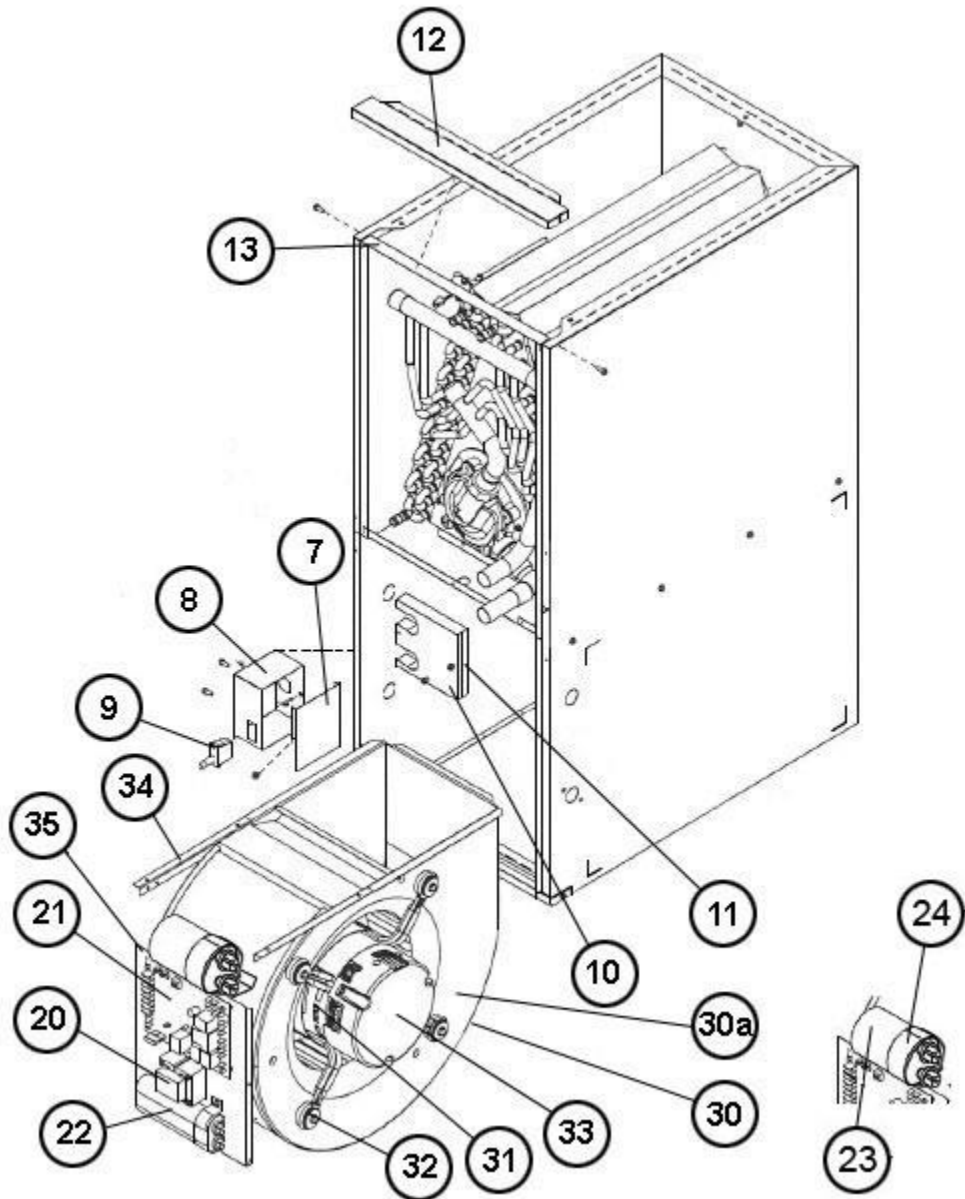
Door Assembly



Coil - Pump Assembly



Coil Assembly - 415 Option



Blower Assembly

NOTES

Stk It is recommended that stock be maintained for this part.
N/A Not Applicable

DISCLAIMER: This document is intended to provide general replacement parts information to aid qualified service personnel in the repair of these models. The complete Model and Serial Number of the unit under repair should be specified when selecting and ordering replacement parts. Specifications and illustrations are subject to change without notice. Document 92-42800-RW1P supersedes all previous parts lists for these models. See <http://www.rheempartslists.net/92-42800-RW1P> for the latest revision of this document. The manufacturer assumes no obligation for errors or omissions. Service personnel must verify the proper and safe operation of equipment after the replacement of any original components.