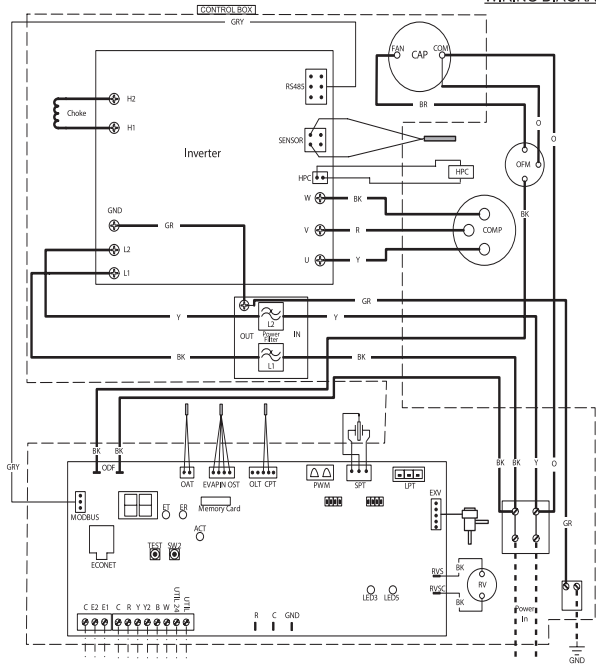
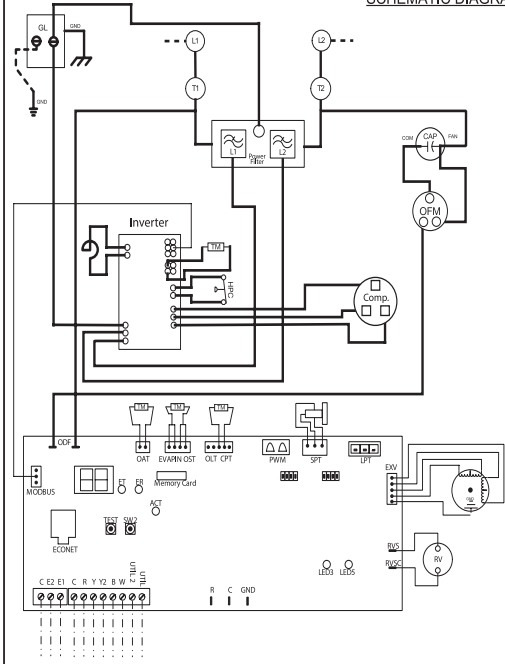


WIRING DIAGRAM



SCHEMATIC DIAGRAM



NOTES

- CONNECTORS SUITABLE FOR USE WITH COPPER CONDUCTORS ONLY.
- COMPRESSOR MOTOR THERMALLY PROTECTED.
- CONNECT FIELD WIRING IN GROUNDED RAINTIGHT CONDUIT TO FUSED DISCONNECT, VOLTAGE, HERTZ AND PHASE PER RATING, AND PER NATIONAL AND LOCAL CODES.
- LOW VOLTAGE CIRCUIT TO BE N.E.C. CLASS 2 WITH A CLASS 2 TRANSFORMER 24 VOLT, 50 OR 60 HZ, MIN 18 AWG.
- TO THERMOSTAT, REFER TO SYSTEM SCHEMATICS OR SCHEMATICS ON INDOOR SECTION FOR LOW VOLTAGE CONTROL WIRING.
- DUAL 7-SEGMENT LED DISPLAY TO DISPLAY DIAGNOSTIC CODES, SEE DIAGNOSTIC LABEL FOR DETAILS.
- HPC ARE AUTOMATIC RESET SWITCHES.

WIRING INFORMATION

- LINE VOLTAGE**
- FACTORY STANDARD
 - FACTORY OPTION
 - FIELD INSTALLED
- LOW VOLTAGE**
- FACTORY STANDARD
 - FIELD INSTALLED
 - REPLACEMENT WIRE
- WARNING**
- CABINET MUST BE PERMANENTLY GROUNDED AND CONFORM TO I.E.C., N.E.C., C.E.C., NATIONAL WIRING REGULATIONS, AND LOCAL CODES AS APPLICABLE.

COMPONENT CODES

- | | |
|--------------------------------------|-------------------------------------|
| CC.....COMPRESSOR CONTACTOR | OAT.....OUTDOOR AIR TEMP. |
| CHC.....C H THERMISTOR | OFM.....OUTDOOR FAN MOTOR |
| COM.....COMMON CONNECTION | LPT..... -- FOR FUTURE USE -- |
| COMP.....COMPRESSOR | OST.....SUCTION TEMP CONN. |
| EVAP.....COIL TEMP | P11.....RJ 14 COM TAP |
| EXV (5 PIN).....ELEC. TX VALVE | PSC.....PSC MTR. CONN. |
| ODF.....OUTDOOR FAN CONNECTION | RBS..... -- FOR FUTURE USE -- |
| GND.....GROUND | CAP.....RUN CAPACITOR |
| HPC.....HIGH PRESS. CONT. | RVS.....REVERSING VALVE CONN. |
| LPC.....LOW PRESSURE CONTROL | SPT.....JUNCTION PRESS. TRANS CONN. |
| TM.....THERMISTOR | WIRE NUT |
| SENSOR.....DISCHARGE LINE THERMISTOR | 24 VAC.....24 VAC INPUT |
| LED 3.....GREEN- EXV OPEN LED | |
| LED 5.....AMBER- EXV CLOSE LED | |

WIRE COLOR CODE

- | | | |
|--------------|--------------|---------------|
| BK.....BLACK | G.....GREEN | PR.....PURPLE |
| BR.....BROWN | GY.....GRAY | R.....RED |
| BL.....BLUE | O.....ORANGE | W.....WHITE |
| | | Y.....YELLOW |

ELECTRICAL WIRING DIAGRAM

VARIABLE SPEED ECONET DEFROST CONTROL (HP ONLY) W/PSC MOTOR

PART NO.: 90-101229-35

REV: 00