



# RP17

Parts List  
31-May-2019



*This parts list is current as of the above revision date.  
See <http://www.rheempartslists.net/92-42800-RP17.pdf> for the current revision.*

Heat Pumps

# Table of Contents

Model Explanation .....	Page 3
<b>Parts Numbers</b>	
Panels .....	Page 4
Electrical-Fan Group .....	Page 5
Coil Parts .....	Page 6
Compressor Group .....	Page 7
<b>Drawings/Photographs</b>	
Exploded View .....	Page 8
Control Box .....	Page 9
Valve Mounting, Compressor .....	Page 10
Reversing Valve, Compressor - Top .....	Page 11
Reversing Valve, Compressor - Side .....	Page 12
Notes/Disclaimer .....	Page 13

**MODEL NUMBER EXPLANATION**

<b>R</b>	<b>P</b>	<b>1</b>	<b>7</b>	<b>2</b>	<b>4</b>	<b>A</b>	<b>J</b>	<b>V</b>	<b>C</b>	<b>A</b>
1	2	3		4		5	6	7	8	9

- |   |   |
|---|---|
| <p>(1) <b>Brand</b></p> <p>(2) <b>Product Category</b><br/>P = Heat Pump</p> <p>(3) <b>Seer</b><br/>17 = 17 SEER</p> <p>(4) <b>COOLING CAPACITY (BTU/HR)</b><br/>018 = 18,000<br/>024 = 24,000<br/>030 = 30,000<br/>036 = 36,000<br/>042 = 42,000<br/>048 = 48,000<br/>060 = 60,000</p> | <p>(5) <b>MAJOR SERIES</b><br/>A = First Major Design Series</p> <p>(6) <b>VOLTAGE</b><br/>J = 208-230/1/60<br/>C = 208-230/3/60<br/>D = 460/3/60</p> <p>(7) <b>TYPE</b><br/>V = Inverter</p> <p>(8) <b>CONTROLS</b><br/>C = Communicating</p> <p>(9) <b>MINOR SERIES</b><br/>A = First Design Series</p> |
|---|---|

**SERIAL NUMBER EXPLANATION**

<b>W</b>	<b>0</b>	<b>8</b>	<b>1</b>	<b>3</b>	<b>9</b>	<b>9</b>	<b>9</b>	<b>9</b>
(1)	(2)		(3)		(4)			

- (1) **PLANT CODE**  
W = West Nuevo Laredo
- (2) **WEEK OF PRODUCTION**
- (3) **YEAR OF PRODUCTION**
- (4) **PRODUCTION NUMBER**

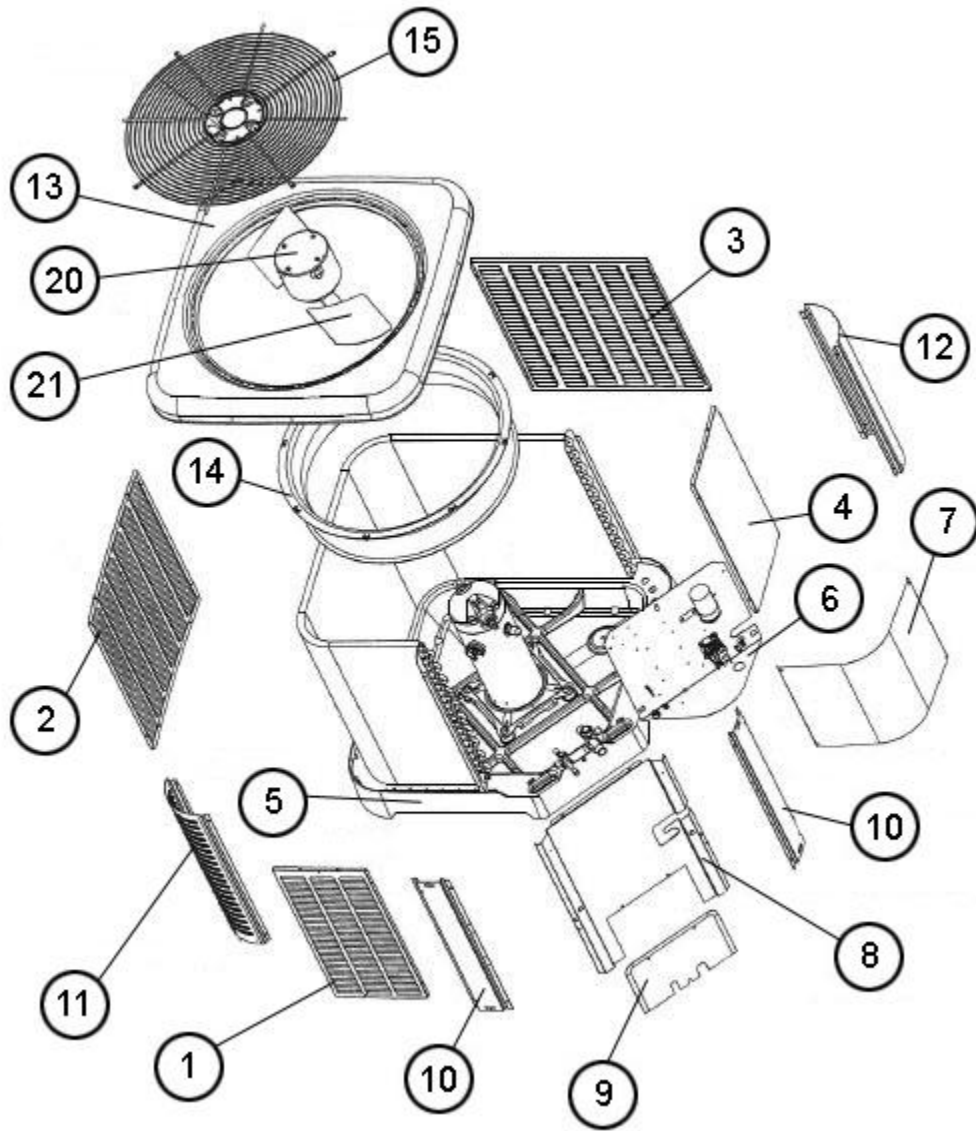
**Note: For Compressor Identification Number, see Compressor Code on Rating Plate**

No.	Notes	MODEL COOLING CAPACITY VARIATION	RP17 24 AJVCA	RP17 36 AJVCA	RP17 48 AJVCA	RP17 60 AJVCA
<b>SHEET METAL PARTS, MISCELLANEOUS</b>						
1		Front Panel	AE-104456-25	AE-104456-25	AE-104456-43	AE-104456-46
2		Left Panel (Panel/Label/Badge Assembly)	68-105597-06	68-105597-06	68-105597-01	68-105597-02
		Badge	91-104924-05	91-104924-05	91-104924-05	91-104924-05
		Left Panel Louver Label	91-105328-05	91-105328-05	91-105328-06	91-105328-06
3		Back Panel	AE-104456-26	AE-104456-26	AE-104456-44	AE-104456-47
4		Right Panel	AE-104456-25	AE-104456-25	AE-104456-43	AE-104456-46
5		Base Pan	68-104457-02	68-104457-02	68-104457-03	68-104457-03
6		Control Box	10-105640-01	10-105640-01	10-105640-01	10-105640-01
7		Control Box Cover	AS-104462-02H	AS-104462-02H	AS-104462-02H	AS-104462-02H
8		Control Box Bracket	AS-104460-07H	AS-104460-07H	AS-104460-08H	AS-104460-09H
9		Service Door	AS-104525-01H	AS-104525-01H	AS-104525-01H	AS-104525-01H
10		Center Post (2)	AS-104459-07H	AS-104459-07H	AS-104459-09H	AS-104459-11H
11		Corner Post (2)	AS-104469-04H	AS-104469-04H	AS-104469-05H	AS-104469-06H
12		Corner Post	AS-104469-04H	AS-104469-04H	AS-104469-05H	AS-104469-06H
13		Top Panel	AS-104458-02H	AS-104458-02H	AS-104458-03H	AS-104458-03H
14		Venturi	68-104464-04	68-104464-04	68-104464-05	68-104464-05
15		Grille	95-104620-02	95-104620-02	95-104620-03	95-104620-03
		Center Cap - Blank (for Grille)	91-101123-00	91-101123-00	91-101123-00	91-101123-00
		Center Cap Label	91-101123-24	91-101123-24	91-101123-24	91-101123-24
		Service Valve - Suction	See Coil Group			
		Service Valve - Liquid	See Coil Group			
		Touch-up Paint - Granite/Steel Gray (Aerosol)	PD523018	PD523018	PD523018	PD523018
		Touch-up Paint - Granite/Steel Gray (Paint Pens)	PD523019	PD523019	PD523019	PD523019

No.	Notes	MODEL COOLING CAPACITY VARIATION	RP17 24 AJVCA	RP17 36 AJVCA	RP17 48 AJVCA	RP17 60 AJVCA
<b>ELECTRICAL/FAN GROUP</b>						
20	Stk	Fan Motor	51-102008-30	51-102008-30	51-102008-31	51-102008-29
21	Stk	Fan Blade	70-102345-08	70-102345-10	70-102345-09	70-102345-14
22		Ground Lug	45-19000-05	45-19000-05	45-19000-05	45-19000-05
23	Stk	Capacitor - Fan	43-101666-65	43-101666-65	43-101666-65	43-101666-65
23a		Capacitor Strap	AE-104562-01	AE-104562-01	AE-104562-01	AE-104562-01
24a	Stk	Variable Speed Control Board - EcoNet	47-104848-03	47-104848-03	47-104848-03	47-104848-03
		Control - Identity EEPROM (before W0216)	47-102738-109	47-102738-110	47-102738-111	47-102738-112
		Control - Identity EEPROM (on or after W0216 and before W5017)	47-102738-122	47-102738-123	47-102738-124	47-102738-125
		Control - Identity EEPROM (on or after W5017)	47-102738-155	47-102738-156	47-102738-157	47-102738-158
24b	Stk	EMI Filter Board	47-105222-01	47-105222-01	47-105222-01	47-105222-01
24c	Stk	Power Inverter Board	47-105221-01	47-105221-01	47-105221-02	47-105221-03
24d		Choke	46-105466-01	46-105466-01	46-105466-02	46-105466-03
24e		Terminal Block	45-23222-02	45-23222-02	45-23222-02	45-23222-02
24f		Locking Wing Push Mount Tie	64-25340-02	64-25340-02	64-25340-02	64-25340-02
24g		Universal Bushing	45-103252-02	45-103252-02	45-103252-02	45-103252-02
26		Double Ground Lug	45-19000-05	45-19000-05	45-19000-05	45-19000-05
27	Stk	Low Pressure Transducer	47-103454-05	47-103454-05	47-103454-05	47-103454-05
27a		Service Port - Low Pressure Control	61-18542-01	61-18542-01	61-18542-01	61-18542-01
28	Stk	High Pressure Control	47-103669-04	47-103669-04	47-103669-04	47-103669-04
	Stk	Discharge Sensor	47-102710-18	47-102710-18	47-102710-18	47-102710-18
	Stk	Thermistor/Clip Assembly (Compressor Sump Sensor)	47-102710-12	47-102710-12	47-102710-22	47-102710-22
	Stk	Thermistor/Clip Assembly - 2 Sensors (Coil Sensor)	47-102710-11	47-102710-11	47-102710-11	47-102710-23
	Stk	Ambient Thermistor	47-102709-06	47-102709-06	47-102709-06	47-102709-06
	Stk	Pressure Transducer	47-103454-05	47-103454-05	47-103454-05	47-103454-05
		Wire Harness - Pressure Transducer (SPT)	45-104130-03	45-104130-03	45-104130-03	45-104130-03
		Wire Harness - Control Board	45-104991-01	45-104991-01	45-104991-01	45-104991-01
		Wire Harness - Filter to Inverter	45-104991-02	45-104991-02	45-104991-03	45-104991-03
		Wire Harness - Terminal Block to Filter	45-104991-04	45-104991-04	45-104991-04	45-104991-04

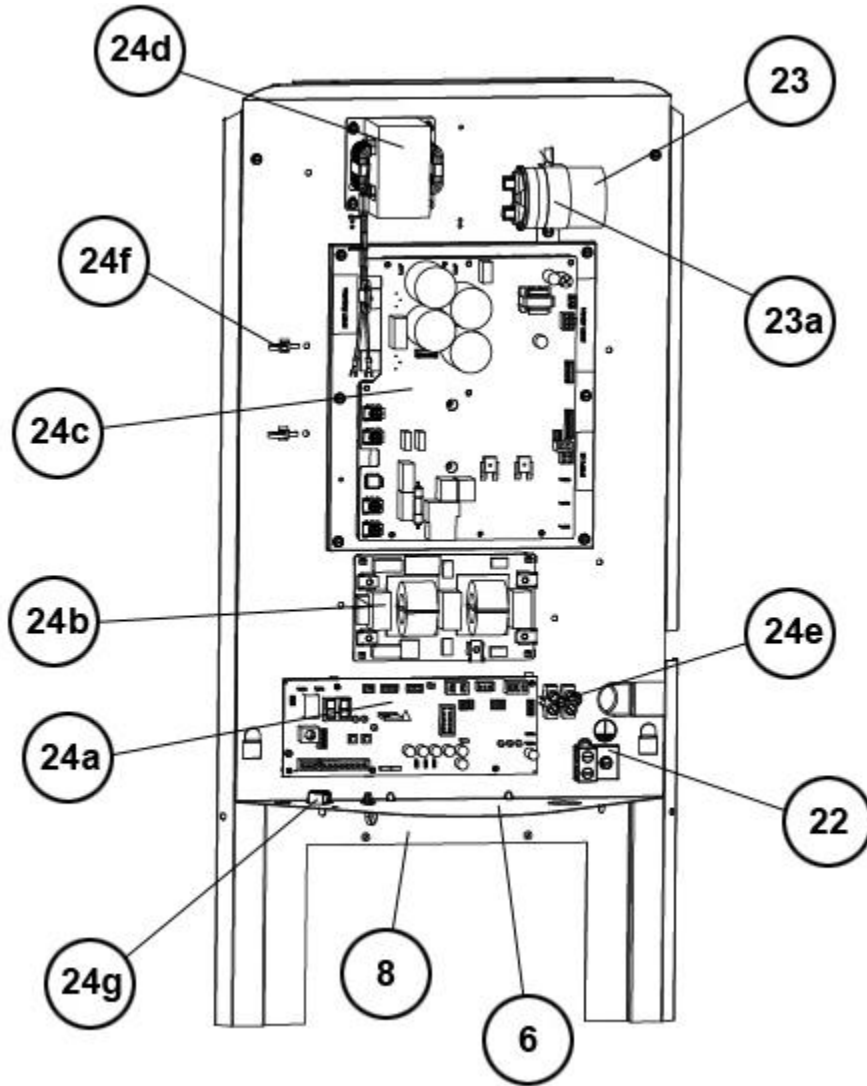
No.	Notes	MODEL COOLING CAPACITY VARIATION	RP17 24 AJVCA	RP17 36 AJVCA	RP17 48 AJVCA	RP17 60 AJVCA
<b>COIL GROUP</b>						
27		Low Pressure Transducer	See Electrical Group			
28		High Pressure Control	See Electrical Group			
30	Stk	Condenser Coil	AS-105565-03	AS-105034-03	AS-105571-03	AS-105613-03
31		Service Valve - Suction	61-104914-03	61-104914-03	61-104914-04	61-104914-04
32		Service Valve - Liquid	61-104914-05	61-104914-05	61-104914-05	61-104914-05
33		Bulkhead Valve	61-22369-04	61-22369-04	61-22369-04	61-22369-04
33a		Valve Core	61-18551-01	61-18551-01	61-18551-01	61-18551-01
33b		Valve Cap	83-100635-01	83-100635-01	83-100635-01	83-100635-01
33c		Locknut - Bulkhead Valve	63-22368-01	63-22368-01	63-22368-01	63-22368-01
	Stk	Filter Drier	83-41719-02	83-41719-02	83-41719-02	83-41719-02
35		Muffler	See Compressor Group			
36		Accumulator	83-22459-05	83-22459-05	83-22459-09	83-22459-09
37	Stk	EXV	61-103151-05	61-103151-05	61-103151-06	61-103151-06
37a	Stk	Coil - EEV	61-103151-08	61-103151-08	61-103151-08	61-103151-08
38	Stk	Reversing Valve	61-102498-13	61-102498-14	61-102498-14	61-102498-12
	Stk	Solenoid Coil - Reversing Valve	61-101713-92	61-101713-92	61-101713-92	61-101713-92
		Wiring Harness - Reversing Valve	61-26149-03	61-26149-03	61-26149-03	61-26149-03

No.	Notes	MODEL COOLING CAPACITY VARIATION	RP17 24 AJVCA	RP17 36 AJVCA	RP17 48 AJVCA	RP17 60 AJVCA
<b>COMPRESSOR GROUP</b>						
		<b>Compressor ID:</b>	<b>9094</b>	<b>9095</b>	<b>9096</b>	<b>9097</b>
40	Stk	Compressor	55-102045-105	55-102045-105	55-102045-106	55-102045-106
		Compressor Grommet (4)	56-18518-19	56-18518-19	56-18518-19	56-18518-19
		Compressor Bolt (4)	63-20072-07	63-20072-07	63-20072-07	63-20072-07
23		Capacitor - Fan	See Electrical/Fan Group			
	Stk	Compressor Wiring Harness	45-100834-13	45-100834-13	45-100834-13	45-100834-12
		Muffler	83-104416-01	83-104416-01	83-104416-01	83-104416-01
		Filter Drier	See Coil Group			

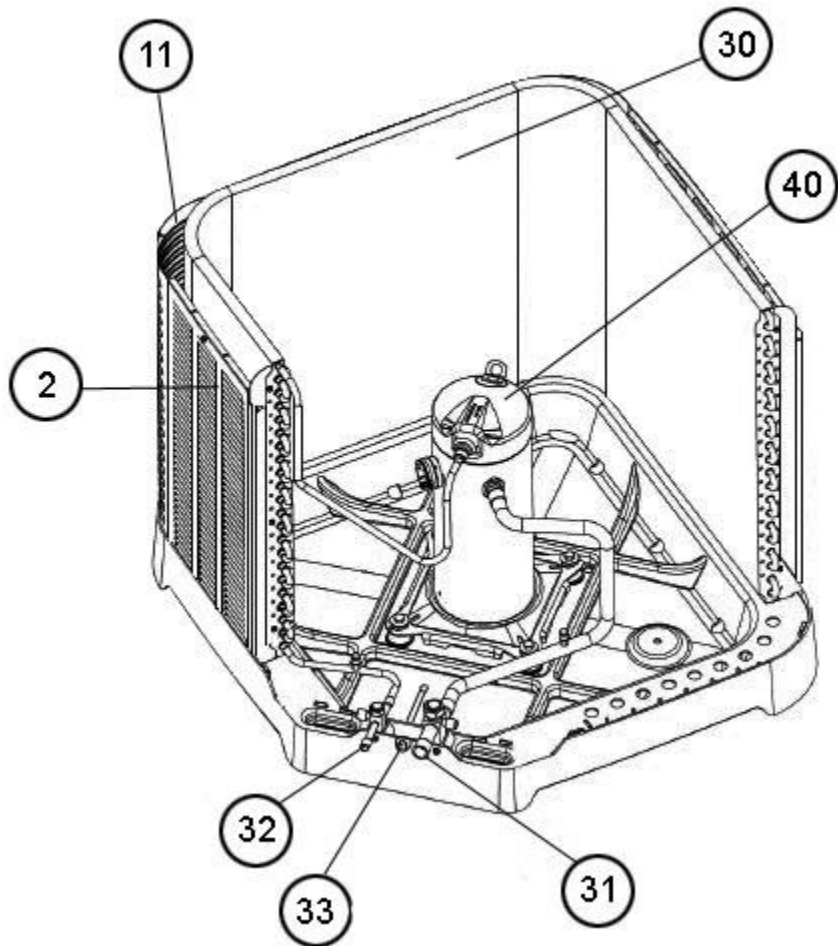


Exploded View

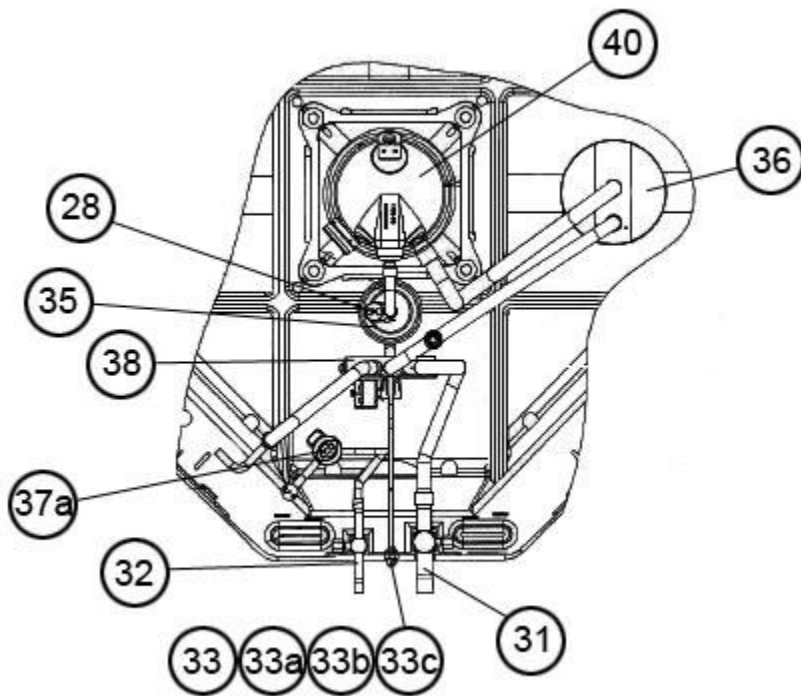




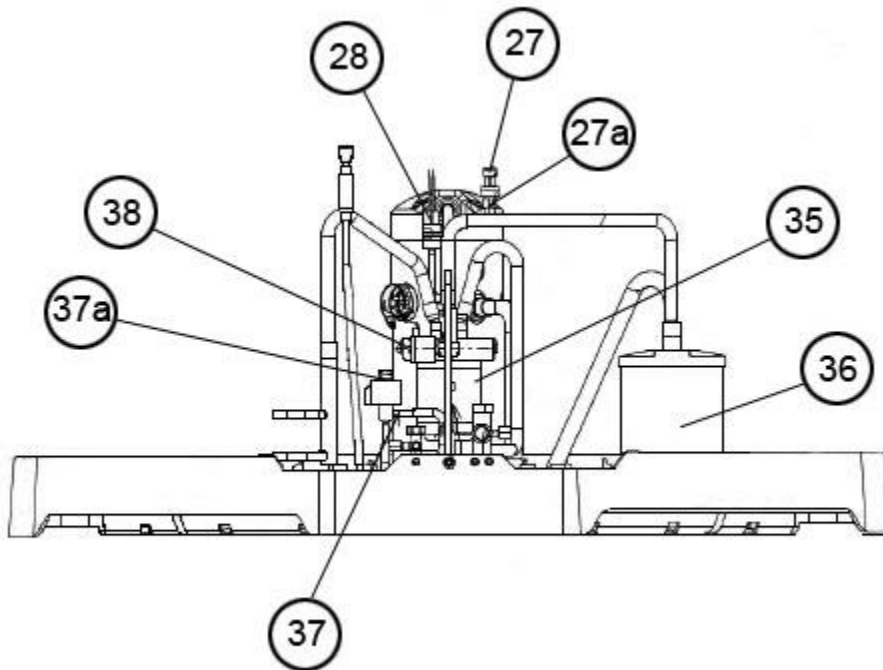
Control Box



Valve Mounting, Compressor



Reversing Valve, Compressor - Top



Reversing Valve, Compressor - Side

# NOTES

Stk It is recommended that stock be maintained for this part.  
N/A Not Applicable

**DISCLAIMER:** This document is intended to provide general replacement parts information to aid qualified service personnel in the repair of these models. The complete Model and Serial Number of the unit under repair should be specified when selecting and ordering replacement parts. Specifications and illustrations are subject to change without notice. Document 92-42800-RP17 supersedes all previous parts lists for these models. See <http://www.rheempartslists.net/92-42800-RP17> for the latest revision of this document. The manufacturer assumes no obligation for errors or omissions. Service personnel must verify the proper and safe operation of equipment after the replacement of any original components.