



RP14

Parts List
20-December-2019



*This parts list is current as of the above revision date.
See <http://www.rheempartslists.net/92-42800-RP14.pdf> for the current revision.*

Heat Pumps

Table of Contents

Model Explanation	Page 3
Parts Numbers	
Panels (1)	Page 4
Panels (2)	Page 5
Panels (3)	Page 6
Panels (4)	Page 7
Panels (5)	Page 8
Electrical-Fan Group (1)	Page 9
Electrical-Fan Group (2)	Page 10
Electrical-Fan Group (3)	Page 11
Electrical-Fan Group (4)	Page 12
Coil Parts (1)	Page 13
Coil Parts (2)	Page 14
Coil Parts (3)	Page 15
Coil Parts (4)	Page 16
Coil Parts (5)	Page 17
Coil Parts (6)	Page 18
Compressor Group (1)	Page 19
Compressor Group (2)	Page 20
Compressor Group (3)	Page 21
Compressor Group (4)	Page 22
Accessories (1)	Page 23
Accessories (2)	Page 24
Drawings/Photographs	
Exploded View	Page 25
Control Box (1)	Page 26
Control Box (2)	Page 26
Valve Mounting, Compressor	Page 27
Distributor-Piston Variants	Page 28
TXV Variants	Page 29
Notes/Disclaimer	Page 30

MODEL NUMBER EXPLANATION

R	P	1	4	1	8	A	J	1	N	A
1	2	3		4		5	6	7	8	9

- | | |
|---|---|
| <p>(1) Brand</p> <p>(2) Product Category
P = Heat Pump</p> <p>(3) Seer
14 = 14 SEER</p> <p>(4) COOLING CAPACITY (BTU/HR)
018 = 18,000
024 = 24,000
030 = 30,000
036 = 36,000
042 = 42,000
048 = 48,000
060 = 60,000</p> | <p>(5) MAJOR SERIES
A = First Design Series
B = Second Design Series
C = Third Design Series
F = PSC AHU/Furnace Coil Series
G = PSC AHU/Furnace Coil Second Design Series</p> <p>(6) VOLTAGE
J = 208-230/1/60
C = 208-230/3/60
D = 460/3/60</p> <p>(7) TYPE
1 = Single Stage
P = Piston</p> <p>(8) CONTROLS
N = Non-Communicating</p> <p>(9) MINOR SERIES
A = First Design Series</p> |
|---|---|

SERIAL NUMBER EXPLANATION

W	0	8	1	3	9	9	9	9
(1)	(2)	(3)	(4)					

- (1) **PLANT CODE**
W = West Nuevo Laredo
- (2) **WEEK OF PRODUCTION**
- (3) **YEAR OF PRODUCTION**
- (4) **PRODUCTION NUMBER**

Note: For Compressor Identification Number, see Compressor Code on Rating Plate

No.	Notes	MODEL COOLING CAPACITY VARIATION	RP14	RP14	RP14	RP14		
			36 AC1NA	42 AC1NA	48 AC1NA	60 AC1NA		
SHEET METAL PARTS, MISCELLANEOUS								
1		Front Panel	AE-104456-03	AE-104456-03	AE-104456-25	AE-104456-43		
2		Left Panel (Badge Panel)	AE-104456-21	AE-104456-21	AE-104456-41	AE-104456-56		
3		Back Panel	AE-104456-04	AE-104456-04	AE-104456-26	AE-104456-44		
4		Right Panel	AE-104456-03	AE-104456-35	AE-104456-25	AE-104456-43		
5		Base Pan	68-104457-02	68-104457-02	68-104457-02	68-104457-03		
6		Control Box - Before W1017	AE-104461-01	AE-104461-01	AE-104461-01	AE-104461-01		
6		Control Box - On or After W1017	AE-104461-05	AE-104461-05	AE-104461-05	AE-104461-05		
7		Control Box Cover	AS-104462-01 H	AS-104462-01 H	AS-104462-01 H	AS-104462-01 H		
8		Control Box Bracket	AS-104460-02 H	AS-104460-02 H	AS-104460-04 H	AS-104460-05 H		
9		Service Door	AS-104525-01 H	AS-104525-01 H	AS-104525-01 H	AS-104525-01 H		
10		Center Post (2)	AS-104459-03 H	AS-104459-03 H	AS-104459-07 H	AS-104459-09 H		
12		Corner Post - Louvered	AS-104469-02 H (3)	AS-104469-02 H (3)	AS-104469-04 H (3)	AS-104469-05 H (5)		
13		Top Panel	AS-104458-02 H	AS-104458-02 H	AS-104458-02 H	AS-104458-03 H		
14		Venturi	68-104464-04	68-104464-04	68-104464-04	68-104464-05		
15		Grille	95-104620-02	95-104620-02	95-104620-02	95-104620-03		
		Center Cap - Blank (for Grille)	91-101123-00	91-101123-00	91-101123-00	91-101123-00		
		Service Valve - Suction	See Coil Group					
		Service Valve - Liquid	See Coil Group					
		Touch-up Paint - Granite/Steel Gray (Aerosol)	PD523018	PD523018	PD523018	PD523018		
		Touch-up Paint - Granite/Steel Gray (Paint Pens)	PD523019	PD523019	PD523019	PD523019		

No.	Notes	MODEL COOLING CAPACITY VARIATION	RP14	RP14	RP14	RP14		
			36 AD1NA	42 AD1NA	48 AD1NA	60 AD1NA		
SHEET METAL PARTS, MISCELLANEOUS								
1		Front Panel	AE-104456-03	AE-104456-03	AE-104456-25	AE-104456-43		
2		Left Panel (Badge Panel)	AE-104456-21	AE-104456-21	AE-104456-41	AE-104456-56		
3		Back Panel	AE-104456-04	AE-104456-04	AE-104456-26	AE-104456-44		
4		Right Panel	AE-104456-03	AE-104456-03	AE-104456-25	AE-104456-43		
5		Base Pan	68-104457-02	68-104457-02	68-104457-02	68-104457-03		
6		Control Box - Before W1017	AE-104461-01	AE-104461-01	AE-104461-01	AE-104461-01		
6		Control Box - On or After W1017	AE-104461-05	AE-104461-05	AE-104461-05	AE-104461-05		
7		Control Box Cover	AS-104462-01 H	AS-104462-01 H	AS-104462-01 H	AS-104462-01 H		
8		Control Box Bracket	AS-104460-02 H	AS-104460-02 H	AS-104460-04 H	AS-104460-05 H		
9		Service Door	AS-104525-01 H	AS-104525-01 H	AS-104525-01 H	AS-104525-01 H		
10		Center Post (2)	AS-104459-03 H	AS-104459-03 H	AS-104459-07 H	AS-104459-09 H		
12		Corner Post - Louvered	AS-104469-02 H (3)	AS-104469-02 H (3)	AS-104469-04 H (3)	AS-104469-05 H (5)		
13		Top Panel	AS-104458-02 H	AS-104458-02 H	AS-104458-02 H	AS-104458-03 H		
14		Venturi	68-104464-04	68-104464-04	68-104464-04	68-104464-05		
15		Grille	95-104620-02	95-104620-02	95-104620-02	95-104620-03		
		Center Cap - Blank (for Grille)	91-101123-00	91-101123-00	91-101123-00	91-101123-00		
		Service Valve - Suction	See Coil Group					
		Service Valve - Liquid	See Coil Group					
		Touch-up Paint - Granite/Steel Gray (Aerosol)	PD523018	PD523018	PD523018	PD523018		
		Touch-up Paint - Granite/Steel Gray (Paint Pens)	PD523019	PD523019	PD523019	PD523019		

No.	Notes	MODEL COOLING CAPACITY VARIATION	RP14	RP14	RP14	RP14	RP14	RP14
			18 AJ1NA	24 AJ1NA	30 AJ1NA	36 AJ1NA	42 AJ1NA	48 AJ1NA
SHEET METAL PARTS, MISCELLANEOUS								
1		Front Panel	AE-104456-07	AE-104456-07	AE-104456-07	AE-104456-03	AE-104456-03	AE-104456-25
2		Left Panel (Badge Panel)	AE-104456-09	AE-104456-09	AE-104456-09	AE-104456-21	AE-104456-21	AE-104456-41
3		Back Panel	AE-104456-08	AE-104456-08	AE-104456-08	AE-104456-04	AE-104456-04	AE-104456-26
4		Right Panel	AE-104456-10	AE-104456-10	AE-104456-07	AE-104456-03	AE-104456-03	AE-104456-25
5		Base Pan	68-104457-01	68-104457-01	68-104457-01	68-104457-02	68-104457-02	68-104457-02
6		Control Box - Before W1017	AE-104461-01	AE-104461-01	AE-104461-01	AE-104461-01	AE-104461-01	AE-104461-01
6		Control Box - On or After W1017	AE-104461-05	AE-104461-05	AE-104461-05	AE-104461-05	AE-104461-05	AE-104461-05
7		Control Box Cover	AS-104462-01H	AS-104462-01H	AS-104462-01H	AS-104462-01H	AS-104462-01H	AS-104462-01H
8		Control Box Bracket	AS-104460-01H	AS-104460-01H	AS-104460-01H	AS-104460-02H	AS-104460-02H	AS-104460-04H
9		Service Door	AS-104525-01H	AS-104525-01H	AS-104525-01H	AS-104525-01H	AS-104525-01H	AS-104525-01H
10		Center Post (2)	AS-104459-01H	AS-104459-01H	AS-104459-01H	AS-104459-03H	AS-104459-03H	AS-104459-07H
12		Corner Post - Solid	AS-104469-08H (1)	AS-104469-08H (1)	N/A	N/A	N/A	N/A
12		Corner Post - Louvered	AS-104469-01H (2)	AS-104469-01H (2)	AS-104469-01H (3)	AS-104469-02H (3)	AS-104469-02H (3)	AS-104469-04H (3)
13		Top Panel	AS-104458-01H	AS-104458-01H	AS-104458-01H	AS-104458-02H	AS-104458-02H	AS-104458-02H
14		Venturi	68-104464-02	68-104464-02	68-104464-02	68-104464-04	68-104464-04	68-104464-04
15		Grille	95-104620-01	95-104620-01	95-104620-01	95-104620-02	95-104620-02	95-104620-02
		Center Cap - Blank (for Grille)	91-101123-00	91-101123-00	91-101123-00	91-101123-00	91-101123-00	91-101123-00
		Service Valve - Suction	See Coil Group					
		Service Valve - Liquid	See Coil Group					
		Touch-up Paint - Granite/Steel Gray (Aerosol)	PD523018	PD523018	PD523018	PD523018	PD523018	PD523018
		Touch-up Paint - Granite/Steel Gray (Paint Pens)	PD523019	PD523019	PD523019	PD523019	PD523019	PD523019

No.	Notes	MODEL COOLING CAPACITY VARIATION	RP14		RP14	RP14	RP14	RP14
			60 AJ1NA		18 AJPNA	24 AJPNA	30 AJPNA	36 AJPNA
SHEET METAL PARTS, MISCELLANEOUS								
1		Front Panel	AE-104456-43		AE-104456-03	AE-104456-03	AE-104456-22	AE-104456-28
2		Left Panel (Badge Panel)	AE-104456-56		AE-104456-21	AE-104456-21	AE-104456-24	AE-104456-42
3		Back Panel	AE-104456-44		AE-104456-04	AE-104456-04	AE-104456-23	AE-104456-29
4		Right Panel	AE-104456-43		AE-104456-03	AE-104456-03	AE-104456-22	AE-104456-28
5		Base Pan	68-104457-03		68-104457-02	68-104457-02	68-104457-02	68-104457-02
6		Control Box - Before W1017	AE-104461-01		AE-104461-01	AE-104461-01	AE-104461-01	AE-104461-01
6		Control Box - On or After W1017	AE-104461-05		AE-104461-05	AE-104461-05	AE-104461-05	AE-104461-05
7		Control Box Cover	AS-104462-01H		AS-104462-01H	AS-104462-01H	AS-104462-01H	AS-104462-01H
8		Control Box Bracket	AS-104460-05H		AS-104460-02H	AS-104460-02H	AS-104460-03H	AS-104460-05H
9		Service Door	AS-104525-01H		AS-104525-01H	AS-104525-01H	AS-104525-01H	AS-104525-01H
10		Center Post (2)	AS-104459-09H		AS-104459-03H	AS-104459-03H	AS-104459-05H	AS-104459-09H
12		Corner Post - Louvered	AS-104469-05H (3)		AS-104469-02H (3)	AS-104469-02H (3)	AS-104469-03H (3)	AS-104469-05H (3)
13		Top Panel	AS-104458-03H		AS-104458-02H	AS-104458-02H	AS-104458-02H	AS-104458-02H
14		Venturi	68-104464-05		68-104464-04	68-104464-04	68-104464-04	68-104464-06
15		Grille	95-104620-03		95-104620-02	95-104620-02	95-104620-02	95-104620-02
		Center Cap - Blank (for Grille)	91-101123-00		91-105471-01	91-105471-01	91-105471-01	91-105471-01
		Service Valve - Suction	See Coil Group					
		Service Valve - Liquid	See Coil Group					
		Touch-up Paint - Granite/Steel Gray (Aerosol)	PD523018		PD523018	PD523018	PD523018	PD523018
		Touch-up Paint - Granite/Steel Gray (Paint Pens)	PD523019		PD523019	PD523019	PD523019	PD523019

No.	Notes	MODEL COOLING CAPACITY VARIATION	RP14 42 AJPNA	RP14 48 AJPNA	RP14 60 AJPNA			RP14 60 BC1NA
SHEET METAL PARTS, MISCELLANEOUS								
1		Front Panel	AE-104456-25	AE-104456-46	AE-104456-49			AE-104456-46
2		Left Panel (Badge Panel)	AE-104456-41	AE-104456-57	AE-104456-58			AE-104456-57
3		Back Panel	AE-104456-26	AE-104456-47	AE-104456-50			AE-104456-47
4		Right Panel	AE-104456-25	AE-104456-46	AE-104456-49			AE-104456-46
5		Base Pan	68-104457-02	68-104457-03	68-104457-03			68-104457-03
6		Control Box - Before W1017	AE-104461-01	AE-104461-01	AE-104461-01			N/A
6		Control Box - On or After W1017	AE-104461-05	AE-104461-05	AE-104461-05			AE-104461-05
7		Control Box Cover	AS-104462-01H	AS-104462-01H	AS-104462-01H			AS-104462-01H
8		Control Box Bracket	AS-104460-04H	AS-104460-06H	AS-104460-11H			AS-104460-06H
9		Service Door	AS-104525-01H	AS-104525-01H	AS-104525-01H			AS-104525-01H
10		Center Post (2)	AS-104459-07H	AS-104459-11H	AS-104459-13H			AS-104459-11H
12		Corner Post - Solid	N/A	N/A	N/A			N/A
12		Corner Post - Louvered	AS-104469-04H (3)	AS-104469-06H (3)	AS-104469-07H (3)			AS-104469-06H (3)
13		Top Panel	AS-104458-02H	AS-104458-03H	AS-104458-03H			AS-104458-03H
14		Venturi	68-104464-04	68-104464-07	68-104464-05			68-104464-05
15		Grille	95-104620-02	95-104620-03	95-104620-03			95-104620-03
		Center Cap - Blank (for Grille)	91-105471-01	91-105471-01	91-105471-01			91-105471-01
		Service Valve - Suction	See Coil Group					
		Service Valve - Liquid	See Coil Group					
		Touch-up Paint - Granite/Steel Gray (Aerosol)	PD523018	PD523018	PD523018			PD523018
		Touch-up Paint - Granite/Steel Gray (Paint Pens)	PD523019	PD523019	PD523019			PD523019

No.	Notes	MODEL COOLING CAPACITY VARIATION	RP14 18 BJ1NA	RP14 60 BJ1NA		RP14 36 BJPNA	
SHEET METAL PARTS, MISCELLANEOUS							
1		Front Panel	AE-104456-07	AE-104456-46		AE-104456-28	
2		Left Panel (Badge Panel)	AE-104456-09	AE-104456-57		AE-104456-42	
3		Back Panel	AE-104456-08	AE-104456-47		AE-104456-29	
4		Right Panel	AE-104456-10	AE-104456-46		AE-104456-28	
5		Base Pan	68-104457-01	68-104457-03		68-104457-02	
6		Control Box	AE-104461-05	AE-104461-05		AE-104461-05	
7		Control Box Cover	AS-104462-01H	AS-104462-01H		AS-104462-01H	
8		Control Box Bracket	AS-104460-01H	AS-104460-06H		AS-104460-05H	
9		Service Door	AS-104525-01H	AS-104525-01H		AS-104525-01H	
10		Center Post (2)	AS-104459-01H	AS-104459-11H		AS-104459-09H	
12		Corner Post - Solid	AS-104469-08H (1)	N/A		N/A	
12		Corner Post - Louvered	AS-104469-01H (2)	AS-104469-06H (3)		AS-104469-05H (3)	
13		Top Panel	AS-104458-01H	AS-104458-03H		AS-104458-02H	
14		Venturi	68-104464-02	68-104464-05		68-104464-06	
15		Grille	95-104620-01	95-104620-03		95-104620-02	
		Center Cap - Blank (for Grille)	91-105471-01	91-105471-01		91-105471-01	
		Service Valve - Suction	See Coil Group				
		Service Valve - Liquid	See Coil Group				
		Touch-up Paint - Granite/Steel Gray (Aerosol)	PD523018	PD523018		PD523018	
		Touch-up Paint - Granite/Steel Gray (Paint Pens)	PD523019	PD523019		PD523019	

No.	Notes	MODEL COOLING CAPACITY VARIATION	RP14 42 CC1NA		RP14 42 CD1NA		RP14 18 CJ1NA	RP14 42 CJ1NA
SHEET METAL PARTS, MISCELLANEOUS								
1		Front Panel	AE-104456-25		AE-104456-25		AE-104456-07	AE-104456-25
2		Left Panel (Badge Panel)	AE-104456-41		AE-104456-41		AE-104456-09	AE-104456-41
3		Back Panel	AE-104456-26		AE-104456-26		AE-104456-08	AE-104456-26
4		Right Panel	AE-104456-25		AE-104456-25		AE-104456-07	AE-104456-25
5		Base Pan	68-104457-02		68-104457-02		68-104457-01	68-104457-02
6		Control Box	AE-104461-05		AE-104461-05		AE-104461-05	AE-104461-05
7		Control Box Cover	AS-104462-01H		AS-104462-01H		AS-104462-01H	AS-104462-01H
8		Control Box Bracket	AS-104460-04H		AS-104460-04H		AS-104460-01H	AS-104460-04H
9		Service Door	AS-104525-01H		AS-104525-01H		AS-104525-01H	AS-104525-01H
10		Center Post (2)	AS-104459-07H		AS-104459-07H		AS-104459-01H	AS-104459-07H
12		Corner Post - Louvered	AS-104469-04H (3)		AS-104469-04H (3)		AS-104469-01H (3)	AS-104469-04H (3)
13		Top Panel	AS-104458-02H		AS-104458-02H		AS-104458-01H	AS-104458-02H
14		Venturi	68-104464-04		68-104464-04		68-104464-02	68-104464-04
15		Grille	95-104620-02		95-104620-02		95-104620-01	95-104620-02
		Center Cap - Blank (for Grille)	91-105471-01		91-105471-01		91-105471-01	91-105471-01
		Service Valve - Suction	See Coil Group					
		Service Valve - Liquid	See Coil Group					
		Touch-up Paint - Granite/Steel Gray (Aerosol)	PD523018		PD523018		PD523018	PD523018
		Touch-up Paint - Granite/Steel Gray (Paint Pens)	PD523019		PD523019		PD523019	PD523019

No.	Notes	MODEL COOLING CAPACITY VARIATION	RP14 36 FC1NA	RP14 42 FC1NA	RP14 48 FC1NA	RP14 60 FC1NA		RP14 18 FJ1NA
SHEET METAL PARTS, MISCELLANEOUS								
1		Front Panel	AE-104456-25	AE-104456-25	AE-104456-43	AE-104456-46		AE-104456-07
2		Left Panel (Badge Panel)	AE-104456-41	AE-104456-41	AE-104456-56	AE-104456-57		AE-104456-09
3		Back Panel	AE-104456-26	AE-104456-26	AE-104456-44	AE-104456-47		AE-104456-08
4		Right Panel	AE-104456-25	AE-104456-25	AE-104456-43	AE-104456-46		AE-104456-10
5		Base Pan	68-104457-02	68-104457-02	68-104457-03	68-104457-03		68-104457-01
6		Control Box - Before W1017	AE-104461-01	AE-104461-01	AE-104461-01	AE-104461-01		AE-104461-01
6		Control Box - On or After W1017	AE-104461-05	AE-104461-05	AE-104461-05	AE-104461-05		AE-104461-05
7		Control Box Cover	AS-104462-01H	AS-104462-01H	AS-104462-01H	AS-104462-01H		AS-104462-01H
8		Control Box Bracket	AS-104460-04H	AS-104460-04H	AS-104460-05H	AS-104460-06H		AS-104460-01H
9		Service Door	AS-104525-01H	AS-104525-01H	AS-104525-01H	AS-104525-01H		AS-104525-01H
10		Center Post (2)	AS-104459-07H	AS-104459-07H	AS-104459-09H	AS-104459-11H		AS-104459-01H
12		Corner Post - Solid	N/A	N/A	N/A	N/A		AS-104469-08H (1)
12		Corner Post - Louvered	AS-104469-04H (3)	AS-104469-04H (3)	AS-104469-05H (3)	AS-104469-06H (3)		AS-104469-01H (2)
13		Top Panel	AS-104458-02H	AS-104458-02H	AS-104458-03H	AS-104458-03H		AS-104458-01H
14		Venturi	68-104464-06	68-104464-04	68-104464-07	68-104464-05		68-104464-02
15		Grille	95-104620-02	95-104620-02	95-104620-03	95-104620-03		95-104620-01
		Center Cap - Blank (for Grille)	91-105471-01	91-105471-01	91-105471-01	91-105471-01		91-105471-01
		Service Valve - Suction	See Coil Group					
		Service Valve - Liquid	See Coil Group					
		Touch-up Paint - Granite/Steel Gray (Aerosol)	PD523018	PD523018	PD523018	PD523018		PD523018
		Touch-up Paint - Granite/Steel Gray (Paint Pens)	PD523019	PD523019	PD523019	PD523019		PD523019

No.	Notes	MODEL COOLING CAPACITY VARIATION	RP14 24 FJ1NA	RP14 30 FJ1NA	RP14 36 FJ1NA	RP14 42 FJ1NA	RP14 48 FJ1NA	RP14 60 FJ1NA	
SHEET METAL PARTS, MISCELLANEOUS									
1		Front Panel	AE-104456-07	AE-104456-22	AE-104456-25	AE-104456-25	AE-104456-43	AE-104456-46	
2		Left Panel (Badge Panel)	AE-104456-09	AE-104456-24	AE-104456-41	AE-104456-41	AE-104456-56	AE-104456-57	
3		Back Panel	AE-104456-08	AE-104456-23	AE-104456-26	AE-104456-26	AE-104456-44	AE-104456-47	
4		Right Panel	AE-104456-07	AE-104456-22	AE-104456-25	AE-104456-25	AE-104456-43	AE-104456-46	
5		Base Pan	68-104457-01	68-104457-02	68-104457-02	68-104457-02	68-104457-03	68-104457-03	
6		Control Box - Before W1017	AE-104461-01	AE-104461-01	AE-104461-01	AE-104461-01	AE-104461-01	AE-104461-01	
6		Control Box - On or After W1017	AE-104461-05	AE-104461-05	AE-104461-05	AE-104461-05	AE-104461-05	AE-104461-05	
7		Control Box Cover	AS-104462-01H	AS-104462-01H	AS-104462-01H	AS-104462-01H	AS-104462-01H	AS-104462-01H	
8		Control Box Bracket	AS-104460-01H	AS-104460-03H	AS-104460-04H	AS-104460-04H	AS-104460-05H	AS-104460-06H	
9		Service Door	AS-104525-01H	AS-104525-01H	AS-104525-01H	AS-104525-01H	AS-104525-01H	AS-104525-01H	
10		Center Post (2)	AS-104459-01H	AS-104459-05H	AS-104459-07H	AS-104459-07H	AS-104459-09H	AS-104459-11H	
12		Corner Post - Louvered	AS-104469-01H (3)	AS-104469-03H (3)	AS-104469-04H (3)	AS-104469-04H (3)	AS-104469-05H (3)	AS-104469-06H (3)	
13		Top Panel	AS-104458-01H	AS-104458-02H	AS-104458-02H	AS-104458-02H	AS-104458-03H	AS-104458-03H	
14		Venturi	68-104464-02	68-104464-04	68-104464-06	68-104464-04	68-104464-07	68-104464-05	
15		Grille	95-104620-01	95-104620-02	95-104620-02	95-104620-02	95-104620-03	95-104620-03	
		Center Cap - Blank (for Grille)	91-105471-01	91-105471-01	91-105471-01	91-105471-01	91-105471-01	91-105471-01	
		Service Valve - Suction	See Coil Group						
		Service Valve - Liquid	See Coil Group						
		Touch-up Paint - Granite/Steel Gray (Aerosol)	PD523018	PD523018	PD523018	PD523018	PD523018	PD523018	
		Touch-up Paint - Granite/Steel Gray (Paint Pens)	PD523019	PD523019	PD523019	PD523019	PD523019	PD523019	

No.	Notes	MODEL COOLING CAPACITY VARIATION	RP14 42 GC1NA	RP14 18 GJ1NA	RP14 42 GJ1NA			
SHEET METAL PARTS, MISCELLANEOUS								
1		Front Panel	AE-104456-43		AE-104456-07	AE-104456-43		
2		Left Panel (Badge Panel)	AE-104456-56		AE-104456-09	AE-104456-56		
3		Back Panel	AE-104456-44		AE-104456-08	AE-104456-44		
4		Right Panel	AE-104456-43		AE-104456-07	AE-104456-43		
5		Base Pan	68-104457-03		68-104457-01	68-104457-03		
6		Control Box	AE-104461-05		AE-104461-05	AE-104461-05		
7		Control Box Cover	AS-104462-01H		AS-104462-01H	AS-104462-01H		
8		Control Box Bracket	AS-104460-05H		AS-104460-01H	AS-104460-05H		
9		Service Door	AS-104525-01H		AS-104525-01H	AS-104525-01H		
10		Center Post (2)	AS-104459-09H		AS-104459-01H	AS-104459-09H		
12		Corner Post - Louvered	AS-104469-05H (3)		AS-104469-01H (3)	AS-104469-05H (3)		
13		Top Panel	AS-104458-03H		AS-104458-01H	AS-104458-03H		
14		Venturi	68-104464-07		68-104464-02	68-104464-07		
15		Grille	95-104620-03		95-104620-01	95-104620-03		
		Center Cap - Blank (for Grille)	91-105471-01		91-105471-01	91-105471-01		
		Service Valve - Suction	See Coil Group					
		Service Valve - Liquid	See Coil Group					
		Touch-up Paint - Granite/Steel Gray (Aerosol)	PD523018		PD523018	PD523018		
		Touch-up Paint - Granite/Steel Gray (Paint Pens)	PD523019		PD523019	PD523019		

No.	Notes	MODEL COOLING CAPACITY VARIATION	RP14	RP14	RP14	RP14			
			36 AC1NA	42 AC1NA	48 AC1NA	60 AC1NA			
ELECTRICAL/FAN GROUP									
20	Stk	Fan Motor - Before W1017	51-101774-02	51-101774-31	51-102008-08	51-101774-12			
20	Stk	Fan Motor - On or after W1017	51-101774-52	51-101774-31	51-102008-34	51-101774-12			
21	Stk	Fan Blade	70-102011-12	70-102011-09	70-101323-30	70-101323-29			
22	Stk	Contactactor	42-102664-14	42-102664-14	42-102664-14	42-102664-14			
23		Capacitor	See Compressor Group						
23a		Capacitor Strap	AE-104562-01	AE-104562-01	AE-104562-01	AE-104562-01			
24	Stk	Defrost Control Board	47-102685-07	47-102685-07	47-102685-07	47-102685-07			
25		Crankcase Heater	See Compressor Group						
26		Grounding Lug	45-19000-01	45-19000-01	45-19000-01	45-19000-01			
		Low Ambient Control	See Accessories Group						
		Low Ambient Sensor	47-102709-01	47-102709-01	47-102709-01	47-102709-01			
27	Stk	Low Pressure Control	47-103670-05	47-103670-05	47-103670-05	47-103670-05			
27a		Service Port - Low Pressure Control	61-18542-01	61-18542-01	61-18542-01	61-18542-01			
28	Stk	High Pressure Control	47-103669-01	47-103669-01	47-103669-01	47-103669-01			

No.	Notes	MODEL COOLING CAPACITY VARIATION	RP14	RP14	RP14	RP14			
			36 AD1NA	42 AD1NA	48 AD1NA	60 AD1NA			
ELECTRICAL/FAN GROUP									
20	Stk	Fan Motor (Three-phase) - See Note 1	51-102008-24	51-102008-32	N/A	N/A			
20	Stk	Fan Motor (Single-phase) - See Note 1	51-101774-06	51-101774-37	51-101774-38	51-101774-34			
21	Stk	Fan (Three-phase Motor) - See Note 1	70-102011-12	70-102011-09	N/A	N/A			
21	Stk	Fan (Single-phase Motor) - See Note 1	70-102011-09	70-102011-09	70-101323-30	70-101323-29			
22	Stk	Contactactor	42-102664-14	42-102664-14	42-102664-14	42-102664-14			
23		Capacitor (Single-phase motor) - See Note 1	43-101666-65	43-101666-65	43-101666-65	43-101666-65			
23a		Capacitor Strap	AE-104562-01	AE-104562-01	AE-104562-01	AE-104562-01			
24	Stk	Defrost Control Board	47-102685-07	47-102685-07	47-102685-07	47-102685-07			
24a		Relay	42-19737-01	42-19737-01	42-19737-01	42-19737-01			
25		Crankcase Heater	See Compressor Group						
26		Grounding Lug	45-19000-01	45-19000-01	45-19000-01	45-19000-01			
		Low Ambient Control	See Accessories Group						
		Low Ambient Sensor	47-102709-01	47-102709-01	47-102709-01	47-102709-01			
27	Stk	Low Pressure Control	47-103670-05	47-103670-05	47-103670-05	47-103670-05			
27a		Service Port - Low Pressure Control	61-18542-01	61-18542-01	61-18542-01	61-18542-01			
28	Stk	High Pressure Control	47-103669-01	47-103669-01	47-103669-01	47-103669-01			

No.	Notes	MODEL COOLING CAPACITY VARIATION	RP14	RP14	RP14	RP14	RP14	RP14	
			18 AJ1NA	24 AJ1NA	30 AJ1NA	36 AJ1NA	42 AJ1NA	48 AJ1NA	
ELECTRICAL/FAN GROUP									
20	Stk	Fan Motor - Before W1017	51-101774-23	51-101774-23	51-101774-23	51-101774-02	51-101774-31	51-102008-07	
20	Stk	Fan Motor - On or after W1017	51-101774-23	51-101774-23	51-101774-23	51-101774-52	51-101774-31	51-101774-51	
21	Stk	Fan Blade	70-101323-26	70-101323-26	70-101323-32	70-102011-12	70-102011-12	70-101323-30	
22	Stk	Contactactor	42-102664-05	42-102664-05	42-102664-05	42-102664-05	42-102664-05	42-102664-10	
23		Capacitor	See Compressor Group						
		Start Capacitor	See Compressor Group						
		Start Relay	See Compressor Group						
23a		Capacitor Strap	AE-104562-01	AE-104562-01	AE-104562-01	AE-104562-01	AE-104562-01	AE-104562-01	
24	Stk	Defrost Control Board	47-102685-07	47-102685-07	47-102685-07	47-102685-07	47-102685-07	47-102685-07	
25		Crankcase Heater	See Compressor Group						
26		Grounding Lug	45-19000-01	45-19000-01	45-19000-01	45-19000-01	45-19000-01	45-19000-01	
		Low Ambient Control	See Accessories Group						
		Low Ambient Sensor	47-102709-01	47-102709-01	47-102709-01	47-102709-01	47-102709-01	47-102709-01	
27	Stk	Low Pressure Control	47-103670-05	47-103670-05	47-103670-05	47-103670-05	47-103670-05	47-103670-05	
27a		Service Port - Low Pressure Control	61-18542-01	61-18542-01	61-18542-01	61-18542-01	61-18542-01	61-18542-01	
28	Stk	High Pressure Control	47-103669-01	47-103669-01	47-103669-01	47-103669-01	47-103669-01	47-103669-01	

No.	Notes	MODEL COOLING CAPACITY VARIATION	RP14		RP14	RP14	RP14	RP14
			60 AJ1NA		18 AJPNA	24 AJPNA	30 AJPNA	36 AJPNA
ELECTRICAL/FAN GROUP								
20	Stk	Fan Motor - Before W1017	51-101774-12		51-101774-02	51-101774-02	51-101774-32	51-102728-19
20	Stk	Fan Motor - On or after W1017	51-101774-12		51-101774-52	51-101774-52	51-101774-32	51-102728-19
21	Stk	Fan Blade	70-101323-29		70-102011-12	70-102011-12	70-101323-35	70-101323-30
22	Stk	Contactactor	42-102664-10		42-104521-05	42-104521-05	42-104521-05	42-104521-05
23		Capacitor			See Compressor Group			
		Start Capacitor			See Compressor Group			
		Start Relay			See Compressor Group			
23a		Capacitor Strap	AE-104562-01		AE-104562-01	AE-104562-01	AE-104562-01	AE-104562-01
24	Stk	Defrost Control Board	47-102685-07		47-102685-07	47-102685-07	47-102685-07	47-102685-07
25		Crankcase Heater			See Compressor Group			
26		Grounding Lug	45-19000-01		45-19000-01	45-19000-01	45-19000-01	45-19000-01
		Low Ambient Control			See Accessories Group			
		Low Ambient Sensor	47-102709-01		47-102709-01	47-102709-01	47-102709-01	47-102709-01
27	Stk	Low Pressure Control	47-103670-05		47-103670-05	47-103670-05	47-103670-05	47-103670-05
27a		Service Port - Low Pressure Control	61-18542-01		61-18542-01	61-18542-01	61-18542-01	61-18542-01
28	Stk	High Pressure Control	47-103669-01		47-103669-01	47-103669-01	47-103669-01	47-103669-01

No.	Notes	MODEL COOLING CAPACITY VARIATION	RP14	RP14	RP14			RP14
			42 AJPNA	48 AJPNA	60 AJPNA			60 BC1NA
ELECTRICAL/FAN GROUP								
20	Stk	Fan Motor - Before W1017	51-101774-32	51-102728-13	51-102008-07			51-102008-07
20	Stk	Fan Motor - On or after W1017	51-101774-32	51-102728-24	51-102008-07			51-102008-07
21	Stk	Fan Blade	70-101323-34	70-101323-29	70-101323-29			70-101323-29
22	Stk	Contactactor	42-104521-05	42-104521-10	42-104521-10			42-104521-14
23		Capacitor			See Compressor Group			
23a		Capacitor Strap	AE-104562-01	AE-104562-01	AE-104562-01			AE-104562-01
24	Stk	Defrost Control Board	47-102685-07	47-102685-07	47-102685-07			47-102685-07
25		Crankcase Heater			See Compressor Group			
26		Grounding Lug	45-19000-01	45-19000-01	45-19000-01			45-19000-01
		Low Ambient Control			See Accessories Group			
		Low Ambient Sensor	47-102709-01	47-102709-01	47-102709-01			47-102709-04
27	Stk	Low Pressure Control	47-103670-05	47-103670-10	47-103670-10			47-103670-10
27a		Service Port - Low Pressure Control	61-18542-01	61-18542-01	61-18542-01			61-18542-01
28	Stk	High Pressure Control	47-103669-01	47-103670-10	47-103670-10			47-103669-01

No.	Notes	MODEL COOLING CAPACITY VARIATION	RP14	RP14		RP14		
			18 BJ1NA	60 BJ1NA		36 BJPNA		
ELECTRICAL/FAN GROUP								
20	Stk	Fan Motor	51-102008-18	51-101774-51		51-102728-19		
21	Stk	Fan Blade	70-101323-26	70-101323-29		70-102011-12		
22	Stk	Contactactor	42-102664-05	42-102664-10		42-102664-05		
23		Capacitor			See Compressor Group			
23a		Capacitor Strap	AE-104562-01	AE-104562-01		AE-104562-01		
24	Stk	Defrost Control Board	47-102685-07	47-102685-07		47-102685-07		
25		Crankcase Heater			See Compressor Group			
26		Grounding Lug	45-19000-01	45-19000-01		45-19000-01		
		Low Ambient Control			See Accessories Group			
		Low Ambient Sensor	47-102709-01	47-102709-04		47-102709-04		
27	Stk	Low Pressure Control	47-103670-05	47-103670-10		47-103670-05		
27a		Service Port - Low Pressure Control	61-18542-01	61-18542-01		61-18542-01		
28	Stk	High Pressure Control	47-103669-01	47-103669-01		47-103669-01		

No.	Notes	MODEL COOLING CAPACITY VARIATION	RP14 42 CC1NA		RP14 42 CD1NA		RP14 18 CJ1NA	RP14 42 CJ1NA
ELECTRICAL/FAN GROUP								
20	Stk	Fan Motor	51-101774-32		51-101774-37		51-104691-06	51-101774-32
21	Stk	Fan Blade	70-102011-25		70-102011-25		70-101323-33	70-102011-25
22	Stk	Contactora	42-104521-14		42-104521-14		42-102664-05	42-102664-05
23		Capacitor	See Compressor Group					
23a		Capacitor Strap	AE-104562-01		AE-104562-01		AE-104562-01	AE-104562-01
24	Stk	Defrost Control Board	47-102685-07		47-102684-14		47-102685-07	47-102685-07
24a		Relay	N/A		42-19736-02		N/A	N/A
25		Crankcase Heater	See Compressor Group					
26		Grounding Lug	45-19000-01		45-19000-01		45-19000-01	45-19000-01
		Low Ambient Control	See Accessories Group					
		Low Ambient Sensor	47-102709-04		47-102709-04		47-102709-04	47-102709-04
27	Stk	Low Pressure Control	47-103670-05		47-103670-05		47-103670-05	47-103670-05
27a		Service Port - Low Pressure Control	61-18542-01		61-18542-01		61-18542-01	61-18542-01
28	Stk	High Pressure Control	47-103669-01		47-103669-01		47-103669-01	47-103669-01

No.	Notes	MODEL COOLING CAPACITY VARIATION	RP14 36 FC1NA	RP14 42 FC1NA	RP14 48 FC1NA	RP14 60 FC1NA		RP14 18 FJ1NA
ELECTRICAL/FAN GROUP								
20	Stk	Fan Motor - Before W1017	51-102728-11	51-101774-31	51-102728-13	51-102008-07		51-102008-18
20	Stk	Fan Motor - On or after W1017	51-102728-23	51-101774-31	51-102728-24	51-102008-07		51-102008-18
21	Stk	Fan Blade	70-101323-41	70-101323-34	70-101323-29	70-101323-34		70-101323-26
22	Stk	Contactora	42-102664-14	42-102664-14	42-102664-14	42-102664-14		42-102664-05
23		Capacitor	See Compressor Group					
23a		Capacitor Strap	AE-104562-01	AE-104562-01	AE-104562-01	AE-104562-01		AE-104562-01
24	Stk	Defrost Control Board	47-102685-07	47-102685-07	47-102685-07	47-102685-07		47-102685-07
25		Crankcase Heater	See Compressor Group					
26		Grounding Lug	45-19000-01	45-19000-01	45-19000-01	45-19000-01		45-19000-01
		Low Ambient Control	See Accessories Group					
		Low Ambient Sensor	47-102709-01	47-102709-01	47-102709-01	47-102709-01		47-102709-01
27	Stk	Low Pressure Control	47-103670-05	47-103670-05	47-103670-05	47-103670-10		47-103670-05
27a		Service Port - Low Pressure Control	61-18542-01	61-18542-01	61-18542-01	61-18542-01		61-18542-01
28	Stk	High Pressure Control	47-103669-01	47-103669-01	47-103669-01	47-103669-01		47-103669-01

No.	Notes	MODEL COOLING CAPACITY VARIATION	RP14 24 FJ1NA	RP14 30 FJ1NA	RP14 36 FJ1NA	RP14 42 FJ1NA	RP14 48 FJ1NA	RP14 60 FJ1NA
ELECTRICAL/FAN GROUP								
20	Stk	Fan Motor - Before W1017	51-102008-17	51-101774-32	51-102728-11	51-101774-32	51-102728-13	51-102008-07
20	Stk	Fan Motor - On or after W1017	51-102008-17	51-101774-32	51-102728-23	51-101774-32	51-102728-24	51-101774-51
21	Stk	Fan Blade	70-101323-33	70-101323-35	70-101323-41	70-101323-34	70-101323-29	70-101323-34
22	Stk	Contactora	42-102664-05	42-102664-05	42-102664-05	42-102664-05	42-102664-10	42-102664-10
23		Capacitor	See Compressor Group					
		Start Capacitor	See Compressor Group					
		Start Relay	See Compressor Group					
23a		Capacitor Strap	AE-104562-01	AE-104562-01	AE-104562-01	AE-104562-01	AE-104562-01	AE-104562-01
24	Stk	Defrost Control Board	47-102685-07	47-102685-07	47-102685-07	47-102685-07	47-102685-07	47-102685-07
25		Crankcase Heater	See Compressor Group					
26		Grounding Lug	45-19000-01	45-19000-01	45-19000-01	45-19000-01	45-19000-01	45-19000-01
		Low Ambient Control	See Accessories Group					
		Low Ambient Sensor	47-102709-01	47-102709-01	47-102709-01	47-102709-01	47-102709-01	47-102709-01
27	Stk	Low Pressure Control	47-103670-05	47-103670-05	47-103670-05	47-103670-05	47-103670-05	47-103670-10
27a		Service Port - Low Pressure Control	61-18542-01	61-18542-01	61-18542-01	61-18542-01	61-18542-01	61-18542-01
28	Stk	High Pressure Control	47-103669-01	47-103669-01	47-103669-01	47-103669-01	47-103669-01	47-103669-01

No.	Notes	MODEL COOLING CAPACITY VARIATION	RP14 42 GC1NA		RP14 18 GJ1NA	RP14 42 GJ1NA		
ELECTRICAL/FAN GROUP								
20	Stk	Fan Motor	TBD		51-104691-06	51-102728-28		
21	Stk	Fan Blade	70-102345-15		70-101323-33	70-102345-15		
22	Stk	Contactore	42-104521-14		42-102664-05	42-102664-10		
23		Capacitor			See Compressor Group			
		Start Capacitor			See Compressor Group			
		Start Relay			See Compressor Group			
23a		Capacitor Strap	TBD		AE-104562-01	AE-104562-01		
24	Stk	Defrost Control Board	47-102684-14		47-102685-07	47-102684-14		
25		Crankcase Heater			See Compressor Group			
26		Grounding Lug	45-19000-01		45-19000-01	45-19000-01		
		Low Ambient Control			See Accessories Group			
		Low Ambient Sensor	47-102709-04		47-102709-04	47-102709-04		
27	Stk	Low Pressure Control	47-103670-05		47-103670-05	47-103670-05		
27a		Service Port - Low Pressure Control	61-18542-01		61-18542-01	61-18542-01		
28	Stk	High Pressure Control	47-103669-01		47-103669-01	47-103669-01		

No.	Notes	MODEL COOLING CAPACITY VARIATION	RP14	RP14	RP14	RP14		
			36 AC1NA	42 AC1NA	48 AC1NA	60 AC1NA		
COIL GROUP								
30	Stk	Condenser Coil	AS-105001-03	AS-105001-03	AS-105034-03	AS-105003-03		
31		Service Valve - Suction	61-104914-03	61-104914-04	61-104914-04	61-104914-04		
32		Service Valve - Liquid	61-104914-01	61-104914-01	61-104914-01	61-104914-01		
33		Bulkhead Valve	61-22369-04	61-22369-04	61-22369-04	61-22369-04		
33a		Valve Core	61-18551-01	61-18551-01	61-18551-01	61-18551-01		
33b		Valve Cap	83-100635-01	83-100635-01	83-100635-01	83-100635-01		
		Locknut - Bulkhead Valve	63-22368-01	63-22368-01	63-22368-01	63-22368-01		
27	Stk	Low Pressure Control	See Electrical Group					
28	Stk	High Pressure Control	See Electrical Group					
	Stk	Filter Drier	83-41719-04	83-41719-04	83-41719-04	83-41719-04		
		Charge Compensator	N/A	83-104499-02	N/A	83-104499-12		
29a	Stk	TXV/Distributor Assembly	61-105338-04	61-105338-05	61-105338-06	61-105338-07		
29b	Stk	Reversing Valve (Before W4216)	61-102498-09	61-102498-09	61-102498-06	RXTB-A05		
	Stk	Reversing Valve (On or After W4216)	61-102498-09	61-102498-09	61-102498-06	61-102498-06		
	Stk	Solenoid Coil - Reversing Valve	61-101713-92	61-101713-92	61-101713-92	61-101713-92		
		Wiring Harness - Reversing Valve (Before W0917)	61-26149-03	61-26149-03	61-26149-03	61-26149-03		
		Wiring Harness - Reversing Valve (On or After W0917)	61-26149-05	61-26149-05	61-26149-05	61-26149-05		

No.	Notes	MODEL COOLING CAPACITY VARIATION	RP14	RP14	RP14	RP14		
			36 AD1NA	42 AD1NA	48 AD1NA	60 AD1NA		
COIL GROUP								
30	Stk	Condenser Coil	AS-105001-03	AS-105001-03	AS-105034-03	AS-105003-03		
31		Service Valve - Suction	61-104914-03	61-104914-04	61-104914-04	61-104914-04		
32		Service Valve - Liquid	61-104914-01	61-104914-01	61-104914-01	61-104914-01		
33		Bulkhead Valve	61-22369-04	61-22369-04	61-22369-04	61-22369-04		
33a		Valve Core	61-18551-01	61-18551-01	61-18551-01	61-18551-01		
33b		Valve Cap	83-100635-01	83-100635-01	83-100635-01	83-100635-01		
		Locknut - Bulkhead Valve	63-22368-01	63-22368-01	63-22368-01	63-22368-01		
27	Stk	Low Pressure Control	See Electrical Group					
28	Stk	High Pressure Control	See Electrical Group					
	Stk	Filter Drier	83-41719-02	83-41719-02	83-41719-02	83-41719-02		
		Charge Compensator	N/A	83-104499-02	N/A	83-104499-12		
29a	Stk	TXV/Distributor Assembly	61-105025-04	61-105025-05	61-105025-06	61-105025-07		
29b	Stk	Reversing Valve (Before W4216)	61-102498-09	61-102498-09	61-102498-06	RXTB-A05		
	Stk	Reversing Valve (On or After W4216)	61-102498-09	61-102498-09	61-102498-06	61-102498-06		
	Stk	Solenoid Coil - Reversing Valve	61-101713-92	61-101713-92	61-101713-92	61-101713-92		
		Wiring Harness - Reversing Valve (Before W0917)	61-26149-03	61-26149-03	61-26149-03	61-26149-03		
		Wiring Harness - Reversing Valve (On or After W0917)	61-26149-05	61-26149-05	61-26149-05	61-26149-05		

No.	Notes	MODEL COOLING CAPACITY VARIATION	RP14 18 AJ1NA	RP14 24 AJ1NA	RP14 30 AJ1NA	RP14 36 AJ1NA	RP14 42 AJ1NA	RP14 48 AJ1NA
COIL GROUP								
30	Stk	Condenser Coil	AS-104981-03	AS-104981-03	AS-105041-03	AS-105001-03	AS-105001-03	AS-105034-03
31		Service Valve - Suction	61-104914-03	61-104914-03	61-104914-03	61-104914-03	61-104914-04	61-104914-04
32		Service Valve - Liquid	61-104914-01	61-104914-01	61-104914-01	61-104914-01	61-104914-01	61-104914-01
33		Bulkhead Valve	61-22369-04	61-22369-04	61-22369-04	61-22369-04	61-22369-04	61-22369-04
33a		Valve Core	61-18551-01	61-18551-01	61-18551-01	61-18551-01	61-18551-01	61-18551-01
33b		Valve Cap	83-100635-01	83-100635-01	83-100635-01	83-100635-01	83-100635-01	83-100635-01
		Locknut - Bulkhead Valve	63-22368-01	63-22368-01	63-22368-01	63-22368-01	63-22368-01	63-22368-01
27	Stk	Low Pressure Control	See Electrical Group					
28	Stk	High Pressure Control	See Electrical Group					
	Stk	Filter Drier	83-41719-04	83-41719-04	83-41719-04	83-41719-04	83-41719-04	83-41719-04
		Charge Compensator	83-104499-01	83-104499-01	83-104499-01	N/A	83-104499-02	N/A
29a	Stk	TXV/Distributor Assembly (Before W3519)	61-105338-01	61-105338-01	61-105338-03	61-105338-04	61-105338-05	61-105338-06
	Stk	TXV/Distributor Assembly (On or After W3519)	61-105338-01	61-107128-01	61-107128-03	61-107128-04	61-105338-05	61-105338-06
29b	Stk	Reversing Valve	61-102498-04	61-102498-04	61-102498-09	61-102498-09	61-102498-09	61-102498-06
	Stk	Solenoid Coil - Reversing Valve	61-101713-92	61-101713-92	61-101713-92	61-101713-92	61-101713-92	61-101713-92
		Wiring Harness - Reversing Valve (Before W0917)	61-26149-03	61-26149-03	61-26149-03	61-26149-03	61-26149-03	61-26149-03
		Wiring Harness - Reversing Valve (On or After W0917)	61-26149-05	61-26149-05	61-26149-05	61-26149-05	61-26149-05	61-26149-05

No.	Notes	MODEL COOLING CAPACITY VARIATION	RP14 60 AJ1NA					
COIL GROUP								
30	Stk	Condenser Coil	AS-105003-03					
31		Service Valve - Suction	61-104914-04					
32		Service Valve - Liquid	61-104914-01					
33		Bulkhead Valve	61-22369-04					
33a		Valve Core	61-18551-01					
33b		Valve Cap	83-100635-01					
		Locknut - Bulkhead Valve	63-22368-01					
27	Stk	Low Pressure Control	See Electrical Group					
28	Stk	High Pressure Control	See Electrical Group					
	Stk	Filter Drier	83-41719-04					
		Charge Compensator	83-104499-12					
29a	Stk	TXV/Distributor Assembly	61-105338-07					
29b	Stk	Reversing Valve (Before W4216)	RXTB-A05					
	Stk	Reversing Valve (On or After W4216)	61-102498-06					
	Stk	Solenoid Coil - Reversing Valve	61-101713-92					
		Wiring Harness - Reversing Valve (Before W0917)	61-26149-03					
		Wiring Harness - Reversing Valve (On or After W0917)	61-26149-05					

No.	Notes	MODEL COOLING CAPACITY VARIATION	RP14 18 AJPNA	RP14 24 AJPNA	RP14 30 AJPNA	RP14 36 AJPNA	RP14 42 AJPNA	RP14 48 AJPNA
COIL GROUP								
30	Stk	Condenser Coil	AS-106244-03	AS-106244-03	AS-105090-03	AS-106250-03	AS-105034-03	AS-106254-03
31		Service Valve - Suction	61-104914-03	61-104914-03	61-104914-03	61-104914-03	61-104914-04	61-104914-04
32		Service Valve - Liquid	61-104914-05	61-104914-05	61-104914-05	61-104914-05	61-104914-05	61-104914-05
33		Bulkhead Valve	61-22369-04	61-22369-04	61-22369-04	61-22369-04	61-22369-04	61-22369-04
33a		Valve Core	61-18551-01	61-18551-01	61-18551-01	61-18551-01	61-18551-01	61-18551-01
33b		Valve Cap	83-100635-01	83-100635-01	83-100635-01	83-100635-01	83-100635-01	83-100635-01
33c		Locknut - Bulkhead Valve	63-22368-01	63-22368-01	63-22368-01	63-22368-01	63-22368-01	63-22368-01
27	Stk	Low Pressure Control	See Electrical Group					
28	Stk	High Pressure Control	See Electrical Group					
	Stk	Filter Drier	83-41719-02	83-41719-02	83-41719-02	83-41719-02	83-41719-02	83-41719-02
35		Accumulator - Suction Line	83-104716-01	83-104716-01	83-104716-01	83-104716-01	83-104716-02	83-104716-02
29a	Stk	TXV/Distributor Assembly	N/A	N/A	N/A	N/A	N/A	N/A
29b	Stk	Reversing Valve	61-102498-04	61-102498-04	61-102498-09	61-102498-09	61-102498-09	61-102498-06
29c	Stk	Flow Check/Distributor Assembly	61-104502-35	61-104502-39	61-104502-45	61-104503-46	61-104504-55	61-104504-49
		Piston - Flow Check/Distributor	61-104468-35	61-104468-39	61-104468-45	61-104468-46	61-104468-55	61-104468-49
		Piston - Outdoor Coil	61-104468-49	N/A	61-104468-62	N/A	61-104468-74	N/A
	Stk	Solenoid Coil - Reversing Valve	61-101713-92	61-101713-92	61-101713-92	61-101713-92	61-101713-92	61-101713-92
		Wiring Harness - Reversing Valve (Before W0917)	61-26149-03	61-26149-03	61-26149-03	61-26149-03	61-26149-03	61-26149-03
		Wiring Harness - Reversing Valve (On or After W0917)	61-26149-05	61-26149-05	61-26149-05	61-26149-05	61-26149-05	61-26149-05

No.	Notes	MODEL COOLING CAPACITY VARIATION	RP14 60 AJPNA	RP14 36 BJPNA			
COIL GROUP							
30	Stk	Condenser Coil	AS-106256-03		AS-106250-03		
31		Service Valve - Suction	61-104914-04		61-104914-03		
32		Service Valve - Liquid	61-104914-05		61-104914-05		
33		Bulkhead Valve	61-22369-04		61-22369-04		
33a		Valve Core	61-18551-01		61-18551-01		
33b		Valve Cap	83-100635-01		83-100635-01		
33c		Locknut - Bulkhead Valve	63-22368-01		63-22368-01		
27	Stk	Low Pressure Control	See Electrical Group				
28	Stk	High Pressure Control	See Electrical Group				
	Stk	Filter Drier	83-41719-02		83-104825-01		
35		Accumulator - Suction Line	83-104716-02		83-104716-01		
29a	Stk	TXV/Distributor Assembly	N/A		N/A		
29b	Stk	Reversing Valve (Before W4216)	RXTB-A05		61-102498-09		
	Stk	Reversing Valve (On or After W4216)	61-102498-06		61-102498-09		
29c	Stk	Flow Check/Distributor Assembly	61-104506-64		61-104503-46		
		Piston - Flow Check/Distributor	61-104468-64		61-104468-46		
		Piston - Outdoor Coil	N/A		N/A		
	Stk	Solenoid Coil - Reversing Valve	61-101713-92		61-101713-92		
		Wiring Harness - Reversing Valve (Before W0917)	61-26149-03		61-26149-03		
		Wiring Harness - Reversing Valve (On or After W0917)	61-26149-05		61-26149-05		

No.	Notes	MODEL COOLING CAPACITY VARIATION	RP14 60 BC1NA	RP14 18 BJ1NA	RP14 60 BJ1NA			
COIL GROUP								
30	Stk	Condenser Coil	AS-105214-03		AS-104981-03	AS-105214-03		
31		Service Valve - Suction	61-104914-04		61-104914-03	61-104914-04		
32		Service Valve - Liquid	61-104914-05		61-104914-05	61-104914-05		
33		Bulkhead Valve	61-22369-04		61-22369-04	61-22369-04		
33a		Valve Core	61-18551-01		61-18551-01	61-18551-01		
33b		Valve Cap	83-100635-01		83-100635-01	83-100635-01		
33c		Locknut - Bulkhead Valve	63-22368-01		63-22368-01	63-22368-01		
27	Stk	Low Pressure Control	See Electrical Group					
28	Stk	High Pressure Control	See Electrical Group					
	Stk	Filter Drier	83-41719-02		83-41719-02	83-41719-02		
		Charge Compensator	83-104499-11		83-104499-02	83-104499-11		
29a	Stk	TXV/Distributor Assembly	61-105025-13		61-105025-01	61-105025-13		
29b	Stk	Reversing Valve	61-102498-06		61-102498-04	61-102498-06		
	Stk	Solenoid Coil - Reversing Valve	61-101713-92		61-101713-92	61-101713-92		
		Wiring Harness - Reversing Valve	61-26149-05		61-26149-05	61-26149-05		

No.	Notes	MODEL COOLING CAPACITY VARIATION	RP14 42 CC1NA	RP14 42 CD1NA	RP14 18 CJ1NA	RP14 42 CJ1NA	
COIL GROUP							
30	Stk	Condenser Coil	AS-105034-03		AS-105088-03	AS-105034-03	
31		Service Valve - Suction	61-104914-04		61-104914-03	61-104914-04	
32		Service Valve - Liquid	61-104914-05		61-104914-05	61-104914-05	
33		Bulkhead Valve	61-22369-04		61-22369-04	61-22369-04	
33a		Valve Core	61-18551-01		61-18551-01	61-18551-01	
33b		Valve Cap	83-100635-01		83-100635-01	83-100635-01	
		Locknut - Bulkhead Valve	63-22368-01		63-22368-01	63-22368-01	
27	Stk	Low Pressure Control	See Electrical Group				
28	Stk	High Pressure Control	See Electrical Group				
	Stk	Filter Drier	83-104825-01		83-104825-01	83-104825-01	
		Charge Compensator	N/A		N/A	83-104499-01	
						N/A	
29a	Stk	TXV/Distributor Assembly	61-107128-06		61-107128-06	61-105025-08	
29b	Stk	Reversing Valve	61-102498-09		61-102498-09	61-102498-04	
	Stk	Solenoid Coil - Reversing Valve	61-101713-92		61-101713-92	61-101713-92	
		Wiring Harness - Reversing Valve	61-26149-05		61-26149-05	61-26149-05	

No.	Notes	MODEL COOLING CAPACITY VARIATION	RP14	RP14	RP14	RP14			
			36 FC1NA	42 FC1NA	48 FC1NA	60 FC1NA			
COIL GROUP									
30	Stk	Condenser Coil	AS-105093-03	AS-105034-03	AS-105095-03	AS-105214-03			
31		Service Valve - Suction	61-104914-03	61-104914-04	61-104914-04	61-104914-04			
32		Service Valve - Liquid	61-104914-05	61-104914-05	61-104914-05	61-104914-05			
33		Bulkhead Valve	61-22369-04	61-22369-04	61-22369-04	61-22369-04			
33a		Valve Core	61-18551-01	61-18551-01	61-18551-01	61-18551-01			
33b		Valve Cap	83-100635-01	83-100635-01	83-100635-01	83-100635-01			
		Locknut - Bulkhead Valve	63-22368-01	63-22368-01	63-22368-01	63-22368-01			
27	Stk	Low Pressure Control	See Electrical Group						
28	Stk	High Pressure Control	See Electrical Group						
	Stk	Filter Drier	83-41719-04	83-41719-04	83-41719-04	83-41719-04			
		Charge Compensator	N/A	N/A	83-104499-11	83-104499-11			
29a	Stk	TXV/Distributor Assembly	61-105025-10	61-105025-06	61-105025-12	61-105025-13			
29b	Stk	Reversing Valve (Before W4216)	61-102498-09	61-102498-09	61-102498-06	RXTB-A05			
	Stk	Reversing Valve (On or After W4216)	61-102498-09	61-102498-09	61-102498-06	61-102498-06			
	Stk	Solenoid Coil - Reversing Valve	61-101713-92	61-101713-92	61-101713-92	61-101713-92			
		Wiring Harness - Reversing Valve (Before W0917)	61-26149-03	61-26149-03	61-26149-03	61-26149-03			
		Wiring Harness - Reversing Valve (On or After W0917)	61-26149-05	61-26149-05	61-26149-05	61-26149-05			

No.	Notes	MODEL COOLING CAPACITY VARIATION	RP14	RP14	RP14	RP14	RP14	RP14	
			18 FJ1NA	24 FJ1NA	30 FJ1NA	36 FJ1NA	42 FJ1NA	48 FJ1NA	
COIL GROUP									
30	Stk	Condenser Coil	AS-104981-03	AS-105088-03	AS-105090-03	AS-105093-03	AS-105034-03	AS-105095-03	
31		Service Valve - Suction	61-104914-03	61-104914-03	61-104914-03	61-104914-03	61-104914-04	61-104914-04	
32		Service Valve - Liquid	61-104914-05	61-104914-05	61-104914-05	61-104914-05	61-104914-05	61-104914-05	
33		Bulkhead Valve	61-22369-04	61-22369-04	61-22369-04	61-22369-04	61-22369-04	61-22369-04	
33a		Valve Core	61-18551-01	61-18551-01	61-18551-01	61-18551-01	61-18551-01	61-18551-01	
33b		Valve Cap	83-100635-01	83-100635-01	83-100635-01	83-100635-01	83-100635-01	83-100635-01	
		Locknut - Bulkhead Valve	63-22368-01	63-22368-01	63-22368-01	63-22368-01	63-22368-01	63-22368-01	
27	Stk	Low Pressure Control	See Electrical Group						
28	Stk	High Pressure Control	See Electrical Group						
	Stk	Filter Drier	83-41719-04	83-41719-04	83-41719-04	83-41719-04	83-41719-04	83-41719-04	
		Charge Compensator	83-104499-02	83-104499-01	N/A	N/A	N/A	N/A	
29a	Stk	TXV/Distributor Assembly (Before W3519)	61-105025-01	61-105025-08	61-105025-09	61-105025-10	61-105025-06	61-105025-12	
	Stk	TXV/Distributor Assembly (On or After W3519)	61-105025-01	61-105025-08	61-107128-09	61-107128-10	61-105025-06	61-105025-12	
29b	Stk	Reversing Valve	61-102498-04	61-102498-04	61-102498-09	61-102498-09	61-102498-09	61-102498-06	
	Stk	Solenoid Coil - Reversing Valve	61-101713-92	61-101713-92	61-101713-92	61-101713-92	61-101713-92	61-101713-92	
		Wiring Harness - Reversing Valve (Before W0917)	61-26149-03	61-26149-03	61-26149-03	61-26149-03	61-26149-03	61-26149-03	
		Wiring Harness - Reversing Valve (On or After W0917)	61-26149-05	61-26149-05	61-26149-05	61-26149-05	61-26149-05	61-26149-05	

No.	Notes	MODEL COOLING CAPACITY VARIATION	RP14 60 FJ1NA		RP14 42 GC1NA		RP14 18 GJ1NA	RP14 42 GJ1NA
COIL GROUP								
30	Stk	Condenser Coil	AS-105214-03		AS-105095-03		AS-105088-03	AS-105095-03
31		Service Valve - Suction	61-104914-04		61-104914-04		61-104914-03	61-104914-04
32		Service Valve - Liquid	61-104914-05		61-104914-05		61-104914-05	61-104914-05
33		Bulkhead Valve	61-22369-04		61-22369-04		61-22369-04	61-22369-04
33a		Valve Core	61-18551-01		61-18551-01		61-18551-01	61-18551-01
33b		Valve Cap	83-100635-01		83-100635-01		83-100635-01	83-100635-01
		Locknut - Bulkhead Valve	63-22368-01		63-22368-01		63-22368-01	63-22368-01
27	Stk	Low Pressure Control	See Electrical Group					
28	Stk	High Pressure Control	See Electrical Group					
	Stk	Filter Drier	83-41719-04		83-41719-02		83-104825-01	83-41719-02
		Charge Compensator	N/A		N/A		83-104499-01	N/A
29a	Stk	TXV/Distributor Assembly	61-105025-13		61-107128-06		61-105025-08	61-107128-06
29b	Stk	Reversing Valve (Before W4216)	RXTB-A05		61-102498-09		61-102498-04	61-102498-09
	Stk	Reversing Valve (On or After W4216)	61-102498-06		61-102498-09		61-102498-04	61-102498-09
	Stk	Solenoid Coil - Reversing Valve	61-101713-92		61-101713-92		61-101713-92	61-101713-92
		Wiring Harness - Reversing Valve (Before W0917)	61-26149-03		N/A		N/A	N/A
		Wiring Harness - Reversing Valve (On or After W0917)	61-26149-05		61-26149-05		61-26149-05	61-26149-05

No.	Notes	MODEL COOLING CAPACITY VARIATION	RP14 36 AC1NA	RP14 42 AC1NA	RP14 48 AC1NA	RP14 60 AC1NA		
COMPRESSOR GROUP								
		Compressor ID:	9030	9031	9032	9033		
40	Stk	Compressor	55-102045-132S	55-102045-133S	55-102045-134S	55-102045-130S		
		Compressor Grommet (4)	56-18518-04	56-18518-06	56-18518-06	56-18518-06		
		Compressor Bolt (4)	63-20072-07	63-20072-07	63-20072-07	63-20072-07		
23	Stk	Capacitor - Fan	43-101666-65	43-101666-65	43-101666-62	43-101666-65		
	Stk	Compressor Wiring Harness (Molded Plug)	45-100834-80	45-100834-80	45-100834-80	45-100834-80		
25		Crankcase Heater	See Accessories			44-101884-13		
31a		Strainer - Suction	83-25316-03	83-25316-04	83-25316-04	83-25316-04		
32a		Strainer - Liquid	83-25316-02	83-25316-02	83-25316-02	83-25316-02		
		Muffler	83-104416-01	83-104416-01	83-104416-01	83-104416-01		
		Filter Drier	See Coil Group					
		Charge Compensator	See Coil Group					

No.	Notes	MODEL COOLING CAPACITY VARIATION	RP14 36 AD1NA	RP14 42 AD1NA	RP14 48 AD1NA	RP14 60 AD1NA		
COMPRESSOR GROUP								
		Compressor ID:	9034	9035	9036	9037		
40	Stk	Compressor	55-102045-135S	55-102045-136S	55-102045-137S	55-102045-131S		
		Compressor Grommet (4)	56-18518-04	56-18518-06	56-18518-06	56-18518-06		
		Compressor Bolt (4)	63-20072-07	63-20072-07	63-20072-07	63-20072-07		
23	Stk	Capacitor - Fan	See Electrical Group					
	Stk	Compressor Wiring Harness (Molded Plug)	45-100834-80	45-100834-80	45-100834-80	45-100834-80		
25		Crankcase Heater	See Accessories			44-101884-06		
31a		Strainer - Suction	83-25316-03	83-25316-04	83-25316-04	83-25316-04		
32a		Strainer - Liquid	83-25316-02	83-25316-02	83-25316-02	83-25316-02		
		Muffler	83-104416-01	83-104416-01	83-104416-01	83-104416-01		
		Filter Drier	See Coil Group					
		Charge Compensator	See Coil Group					

No.	Notes	MODEL COOLING CAPACITY VARIATION	RP14 18 AJ1NA	RP14 24 AJ1NA	RP14 30 AJ1NA	RP14 36 AJ1NA	RP14 42 AJ1NA	RP14 48 AJ1NA
COMPRESSOR GROUP								
		Compressor ID:	8963	8964	8965	8966	8967	8968
40	Stk	Compressor	55-102045-120	55-102045-104S	55-102045-123	55-102045-124	55-102045-126	55-102045-128
		Compressor Grommet (4)	56-18518-04	56-18518-04	56-18518-04	56-18518-04	56-18518-06	56-18518-06
		Compressor Bolt (4)	63-20072-07	63-20072-07	63-20072-07	63-20072-07	63-20072-07	63-20072-07
23	Stk	Capacitor - Compressor/Fan	43-101665-60	43-101665-10	43-101665-10	43-101665-13	43-101665-13	43-101665-58
	Stk	Compressor Wiring Harness (Molded Plug)	45-100834-80	45-100834-80	45-100834-80	45-100834-80	45-100834-80	45-100834-80
25		Crankcase Heater	See Accessories					
		Muffler	83-104416-01	83-104416-01	83-104416-01	83-104416-01	83-104416-01	83-104416-01
		Filter Drier	See Coil Group					
		Charge Compensator	See Coil Group					

No.	Notes	MODEL COOLING CAPACITY VARIATION	RP14 60 AJ1NA		RP14 18 AJPNA	RP14 24 AJPNA	RP14 30 AJPNA	RP14 36 AJPNA
COMPRESSOR GROUP								
		Compressor ID:	8969		9187	9188	9189	9190
40	Stk	Compressor	55-102045-101S		55-102045-122S	55-102045-148S	55-102045-143S	55-102045-103S
		Compressor Grommet (4)	56-18518-06		56-18518-04	56-18518-04	56-18518-04	56-18518-04
		Compressor Bolt (4)	63-20072-07		63-20072-07	63-20072-07	63-20072-07	63-20072-07
23	Stk	Capacitor - Compressor/Fan	43-101665-59		43-101665-60	43-101665-06	43-101665-61	43-101666-68
23		Capacitor - Compressor	N/A		N/A	N/A	N/A	N/A
	Stk	Compressor Wiring Harness (Molded Plug)	45-100834-80		45-100834-80	45-100834-80	45-100834-80	45-100834-80
25		Crankcase Heater	44-101884-13		See Accessories			
		Strainer - Suction	N/A		83-25316-03	83-25316-03	83-25316-03	83-25316-03
		Strainer - Liquid	N/A		83-25316-02	83-25316-02	83-25316-02	83-25316-02
		Muffler	83-104416-01		83-104416-01	83-104416-01	83-104416-01	83-104416-01
		Filter Drier			See Coil Group			
		Charge Compensator			See Coil Group			

No.	Notes	MODEL COOLING CAPACITY VARIATION	RP14 42 AJPNA	RP14 48 AJPNA	RP14 60 AJPNA			RP14 60 BC1NA
COMPRESSOR GROUP								
		Compressor ID:	9191	9192	9193			9545
40	Stk	Compressor	55-102045-144S	55-102045-119S	55-102045-101			55-102045-130
		Compressor Grommet (4)	56-18518-06	56-18518-06	56-18518-06			56-18518-06
		Compressor Bolt (4)	63-20072-07	63-20072-07	63-20072-07			63-20072-07
23	Stk	Capacitor - Fan	43-101665-62	43-101666-68	43-101665-58			43-101666-62
	Stk	Compressor Wiring Harness (Molded Plug)	45-100834-80	45-100834-80	45-100834-80			45-100834-80
25		Crankcase Heater			See Accessories			44-103663-13
31a		Strainer - Suction	83-25316-04	83-25316-04	83-25316-04			N/A
32a		Strainer - Liquid	83-25316-02	83-25316-02	83-25316-02			N/A
34		Muffler	83-104416-01	83-104416-01	83-104416-01			83-104416-01
		Filter Drier			See Coil Group			
		Accumulator			See Coil Group			
		Charge Compensator			See Coil Group			

No.	Notes	MODEL COOLING CAPACITY VARIATION	RP14 18 BJ1NA	RP14 60 BJ1NA		RP14 36 BJPNA		
COMPRESSOR GROUP								
		Compressor ID:	7340	9544		9581		
40	Stk	Compressor	55-102045-122S	55-102045-101		55-107225-02		
		Compressor Grommet (4)	56-18518-04	56-18518-06		56-18518-04		
		Compressor Bolt (4)	63-20072-07	63-20072-07		63-20072-07		
23	Stk	Capacitor - Fan	43-101665-60	43-101665-58		43-101666-68		
	Stk	Compressor Wiring Harness (Molded Plug)	45-100834-80	45-100834-80		45-107231-02		
25		Crankcase Heater	See Accessories	44-103663-13		See Accessories		
34		Muffler	83-104416-01	83-104416-01		83-104416-01		
		Start Relay	42-100491-09	N/A		N/A		
		Start Capacitor	43-17075-04	N/A		N/A		
		Filter Drier			See Coil Group			
		Charge Compensator			See Coil Group			

No.	Notes	MODEL COOLING CAPACITY VARIATION	RP14 42 CC1NA		RP14 42 CD1NA		RP14 18 CJ1NA	RP14 42 CJ1NA
COMPRESSOR GROUP								
		Compressor ID:	9577		9578		9558	9575
40	Stk	Compressor	55-102045-171		55-102045-172		55-102045-122S	55-102045-170
		Compressor Grommet (4)	56-18518-06		56-18518-06		56-18518-04	56-18518-06
		Compressor Bolt (4)	63-20072-07		63-20072-07		63-20072-07	63-20072-07
23	Stk	Capacitor - Fan	43-101666-42		43-101666-65		43-101665-06	43-101665-62
	Stk	Compressor Wiring Harness (Molded Plug)	45-100834-80		45-100834-80		45-100834-80	45-100834-80
25		Crankcase Heater	See Accessories		See Accessories		See Accessories	See Accessories
34		Muffler	83-104416-01		83-104416-01		83-104416-01	83-104416-01
		Start Relay	N/A		N/A		N/A	N/A
		Start Capacitor	N/A		N/A		N/A	N/A
		Filter Drier			See Coil Group			
		Charge Compensator			See Coil Group			

No.	Notes	MODEL COOLING CAPACITY VARIATION	RP14 36 FC1NA	RP14 42 FC1NA	RP14 48 FC1NA	RP14 60 FC1NA		
COMPRESSOR GROUP								
		Compressor ID:	9139	9140	9141	9142		
40	Stk	Compressor	55-102045-138S	55-102045-133S	55-102045-139S	55-102045-130S		
		Compressor Grommet (4)	56-18518-04	56-18518-06	56-18518-06	56-18518-06		
		Compressor Bolt (4)	63-20072-07	63-20072-07	63-20072-07	63-20072-07		
23	Stk	Capacitor - Fan	43-101666-68	43-101666-65	43-101666-68	43-101666-62		
	Stk	Compressor Wiring Harness (Molded Plug)	45-100834-80	45-100834-80	45-100834-80	45-100834-80		
25		Crankcase Heater		See Accessories		44-103663-13		
31a		Strainer - Suction	83-25316-03	83-25316-04	83-25316-04	83-25316-04		
32a		Strainer - Liquid	83-25316-02	83-25316-02	83-25316-02	83-25316-02		
		Muffler	83-104416-01	83-104416-01	83-104416-01	83-104416-01		
		Filter Drier			See Coil Group			
		Charge Compensator			See Coil Group			

No.	Notes	MODEL COOLING CAPACITY VARIATION	RP14 18 FJ1NA	RP14 24 FJ1NA	RP14 30 FJ1NA	RP14 36 FJ1NA	RP14 42 FJ1NA	RP14 48 FJ1NA
COMPRESSOR GROUP								
		Compressor ID:	9132	9133	9134	9135	9136	9137
40	Stk	Compressor	55-102045-122S	55-102045-148S	55-102045-143S	55-102045-103S	55-102045-126	55-102045-119S
		Compressor Grommet (4)	56-18518-04	56-18518-04	56-18518-04	56-18518-04	56-18518-06	56-18518-06
		Compressor Bolt (4)	63-20072-07	63-20072-07	63-20072-07	63-20072-07	63-20072-07	63-20072-07
23	Stk	Capacitor - Compressor/Fan	43-101665-60	43-101665-06	43-101665-61	N/A	43-101665-62	N/A
23		Capacitor - Compressor	N/A	N/A	N/A	43-101666-68	N/A	43-101666-68
		Start Capacitor	43-17075-04	43-17075-04	N/A	N/A	N/A	N/A
		Start Relay	42-100491-09	42-100491-09	N/A	N/A	N/A	N/A
	Stk	Compressor Wiring Harness (Molded Plug)	45-100834-80	45-100834-80	45-100834-80	45-100834-80	45-100834-80	45-100834-80
25		Crankcase Heater			See Accessories			44-103663-13
		Muffler	83-104416-01	83-104416-01	83-104416-01	83-104416-01	83-104416-01	83-104416-01
		Filter Drier			See Coil Group			
		Charge Compensator			See Coil Group			

No.	Notes	MODEL COOLING CAPACITY VARIATION	RP14 60 FJ1NA		RP14 42 GC1NA		RP14 18 GJ1NA	RP14 42 GJ1NA
COMPRESSOR GROUP								
		Compressor ID:	9138		9612		9557	9611
40	Stk	Compressor	55-102045-101S		55-102045-145		55-102045-122S	55-102045-144
		Compressor Grommet (4)	56-18518-06		56-18518-06		56-18518-04	56-18518-06
		Compressor Bolt (4)	63-20072-07		63-20072-07		63-20072-07	63-20072-07
23	Stk	Capacitor - Compressor/Fan	43-101665-58		TBD		43-101665-06	43-101666-68
23		Capacitor - Compressor	N/A		N/A		N/A	N/A
	Stk	Compressor Wiring Harness (Molded Plug)	45-100834-80		45-100834-80		45-100834-80	45-100834-80
25		Crankcase Heater	44-103663-13		44-103663-13		See Accessories	44-103663-13
		Muffler	83-104416-01		83-104416-01		83-104416-01	83-104416-01
		Filter Drier					See Coil Group	
		Charge Compensator					See Coil Group	

No.	Notes	MODEL COOLING CAPACITY VARIATION	RP14 36 AC1NA	RP14 42 AC1NA	RP14 48 AC1NA	RP14 60 AC1NA		
ACCESSORIES								
		Low Ambient Control	RXAD-A08	RXAD-A08	RXAD-A08	RXAD-A08		
		Compressor Crankcase Heater	44-17402-44	44-17402-45	44-17402-45	See Compressor		
		Compressor Sound Cover	68-23427-26	68-23427-25	68-23427-25	68-23427-25		
		Compressor Hard Start Kit	N/A	N/A	N/A	N/A		

No.	Notes	MODEL COOLING CAPACITY VARIATION	RP14 36 AD1NA	RP14 42 AD1NA	RP14 48 AD1NA	RP14 60 AD1NA		
ACCESSORIES								
		Low Ambient Control	RXAD-A08	RXAD-A08	RXAD-A08	RXAD-A08		
		Compressor Crankcase Heater	See Compressor	44-17402-46	44-17402-46	See Compressor		
		Compressor Sound Cover	68-23427-26	68-23427-25	68-23427-25	68-23427-25		
		Compressor Hard Start Kit	N/A	N/A	N/A	N/A		

No.	Notes	MODEL COOLING CAPACITY VARIATION	RP14 18 AJ1NA	RP14 24 AJ1NA	RP14 30 AJ1NA	RP14 36 AJ1NA	RP14 42 AJ1NA	RP14 48 AJ1NA
ACCESSORIES								
		Low Ambient Control	RXAD-A08	RXAD-A08	RXAD-A08	RXAD-A08	RXAD-A08	RXAD-A08
		Compressor Crankcase Heater	44-17402-44	44-17402-44	44-17402-44	44-17402-44	44-17402-45	44-17402-45
		Compressor Sound Cover	68-23427-26	68-23427-26	68-23427-26	68-23427-26	68-23427-25	68-23427-25
		Compressor Hard Start Kit	SK-A1	SK-A1	SK-A1	SK-A1	SK-A1	SK-A1

No.	Notes	MODEL COOLING CAPACITY VARIATION	RP14 60 AJ1NA		RP14 18 AJPNA	RP14 24 AJPNA	RP14 30 AJPNA	RP14 36 AJPNA
ACCESSORIES								
		Low Ambient Control	RXAD-A08		RXAD-A08	RXAD-A08	RXAD-A08	RXAD-A08
		Compressor Crankcase Heater	See Compressor		44-17402-44	44-17402-44	44-17402-44	44-17402-44
		Compressor Sound Cover	68-23427-25		68-23427-26	68-23427-26	68-23427-26	68-23427-26
		Compressor Hard Start Kit	SK-A1		SK-A1	SK-A1	SK-A1	SK-A1

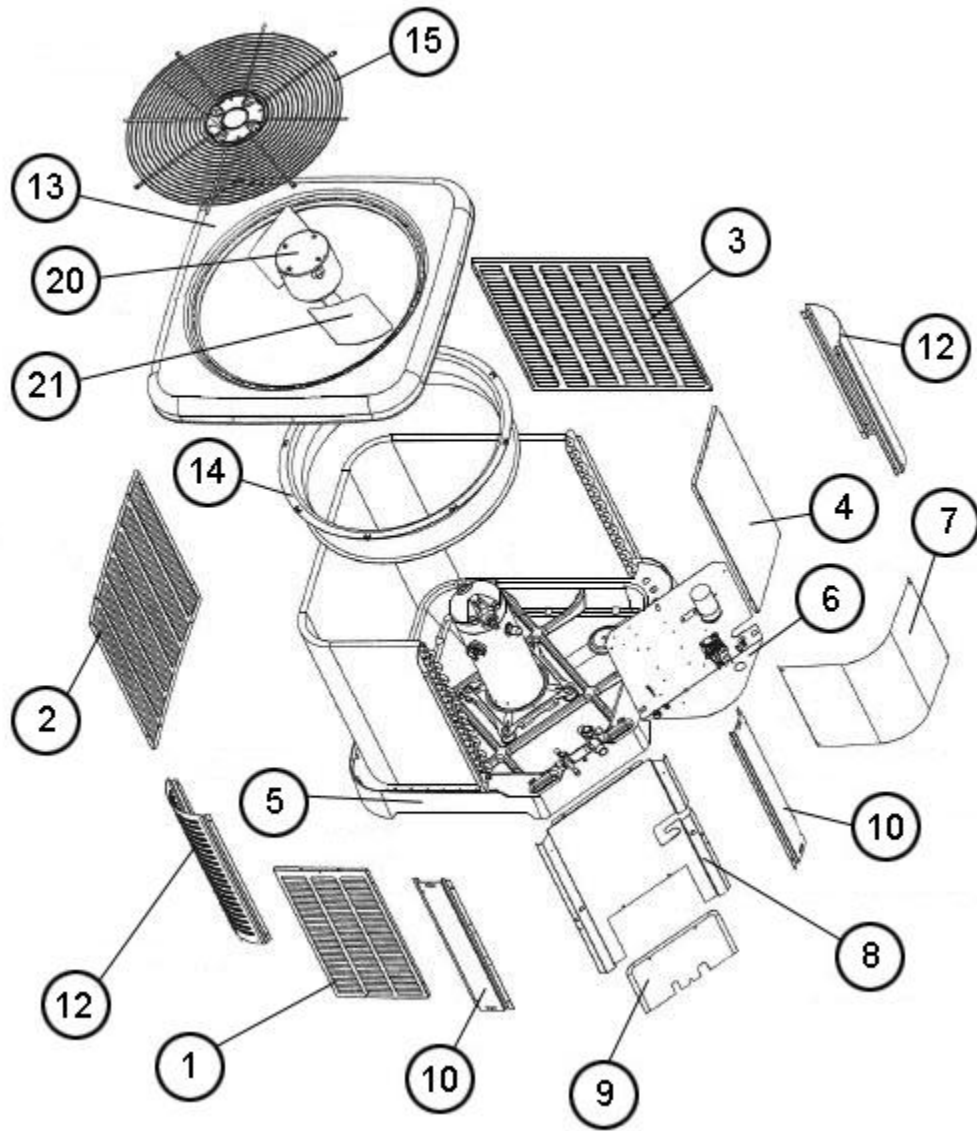
No.	Notes	MODEL COOLING CAPACITY VARIATION	RP14 42 AJPNA	RP14 48 AJPNA	RP14 60 AJPNA			
ACCESSORIES								
		Low Ambient Control	RXAD-A08	RXAD-A08	RXAD-A08			
		Compressor Crankcase Heater	44-17402-45	44-17402-45	44-17402-45			
		Compressor Sound Cover	68-23427-25	68-23427-25	68-23427-25			
		Compressor Hard Start Kit	SK-A1	SK-A1	SK-A1			

No.	Notes	MODEL COOLING CAPACITY VARIATION	RP14 60 BC1NA	RP14 18 BJ1NA	RP14 60 BJ1NA	RP14 36 BJPNA		
ACCESSORIES								
		Low Ambient Control	RXAD-A08	RXAD-A08	RXAD-A08	RXAD-A08		
		Compressor Crankcase Heater	See Compressor	44-17402-44	See Compressor	44-17402-44		
		Compressor Sound Cover	68-23427-25	68-23427-26	68-23427-25	68-23427-26		
		Compressor Hard Start Kit	SK-A1	SK-A1	SK-A1	SK-A1		

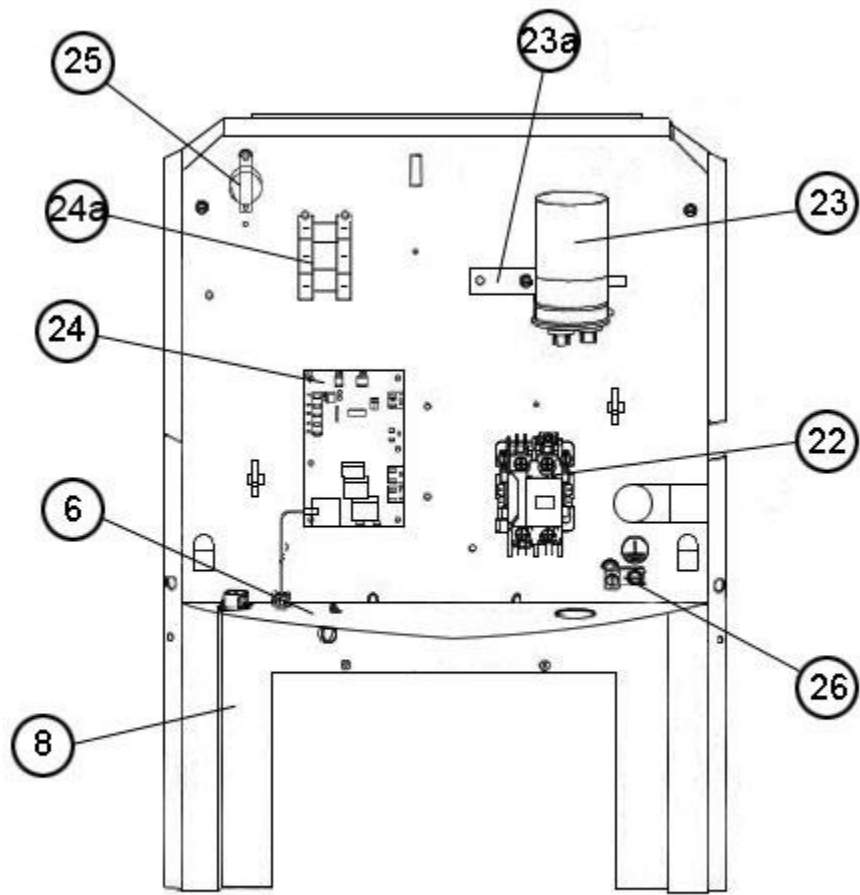
No.	Notes	MODEL COOLING CAPACITY VARIATION	RP14 42 CC1NA		RP14 42 CD1NA		RP14 18 CJ1NA	RP14 42 CJ1NA
ACCESSORIES								
		Low Ambient Control	RXAD-A08		RXAD-A08		RXAD-A08	RXAD-A08
		Compressor Crankcase Heater	44-17402-45		44-17402-46		44-17402-44	44-17402-45
		Compressor Sound Cover	68-23427-25		68-23427-25		68-23427-26	68-23427-25
		Compressor Hard Start Kit	N/A		N/A		SK-A1	SK-A1

No.	Notes	MODEL COOLING CAPACITY VARIATION	RP14 18 FJ1NA	RP14 24 FJ1NA	RP14 30 FJ1NA	RP14 36 FJ1NA	RP14 42 FJ1NA	RP14 48 FJ1NA
ACCESSORIES								
		Low Ambient Control	RXAD-A08	RXAD-A08	RXAD-A08	RXAD-A08	RXAD-A08	RXAD-A08
		Compressor Crankcase Heater	44-17402-44	44-17402-44	44-17402-44	44-17402-44	44-17402-45	44-17402-45
		Compressor Sound Cover	68-23427-26	68-23427-26	68-23427-26	68-23427-26	68-23427-25	68-23427-25
		Compressor Hard Start Kit	SK-A1	SK-A1	SK-A1	SK-A1	SK-A1	SK-A1

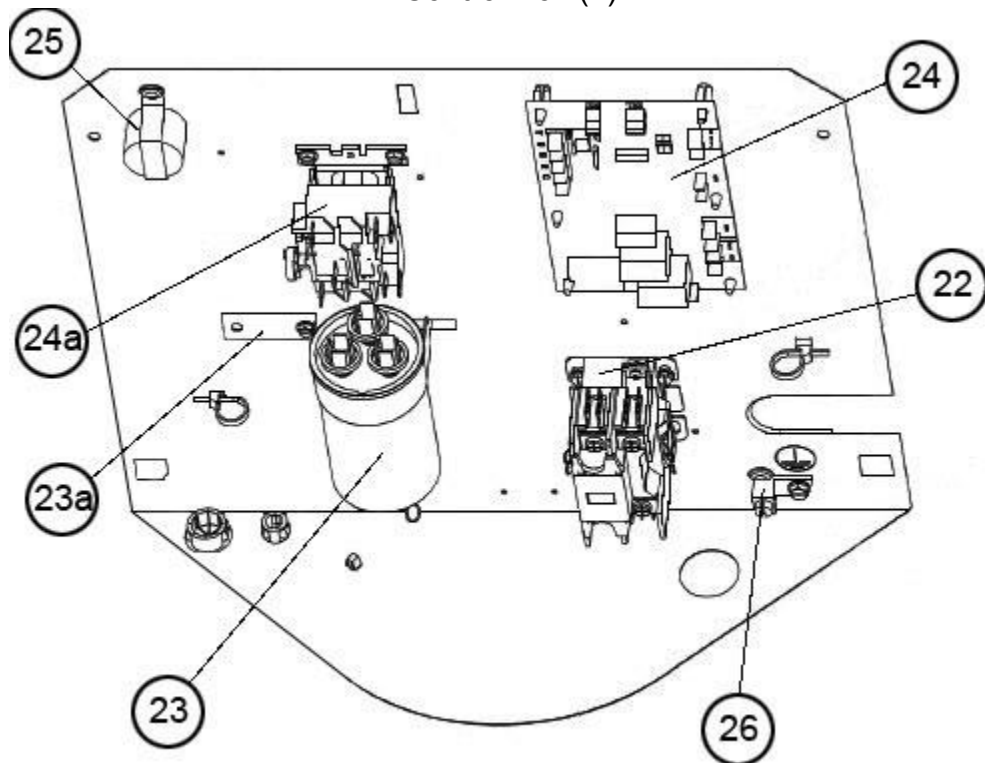
No.	Notes	MODEL COOLING CAPACITY VARIATION	RP14 60 FJ1NA		RP14 42 GC1NA		RP14 18 GJ1NA	RP14 42 GJ1NA
ACCESSORIES								
		Low Ambient Control	RXAD-A08		RXAD-A08		RXAD-A08	RXAD-A08
		Compressor Crankcase Heater	See Compressor		44-17402-45		44-17402-44	44-17402-45
		Compressor Sound Cover	68-23427-25		68-23427-25		68-23427-26	68-23427-25
		Compressor Hard Start Kit	SK-A1		N/A		SK-A1	SK-A1



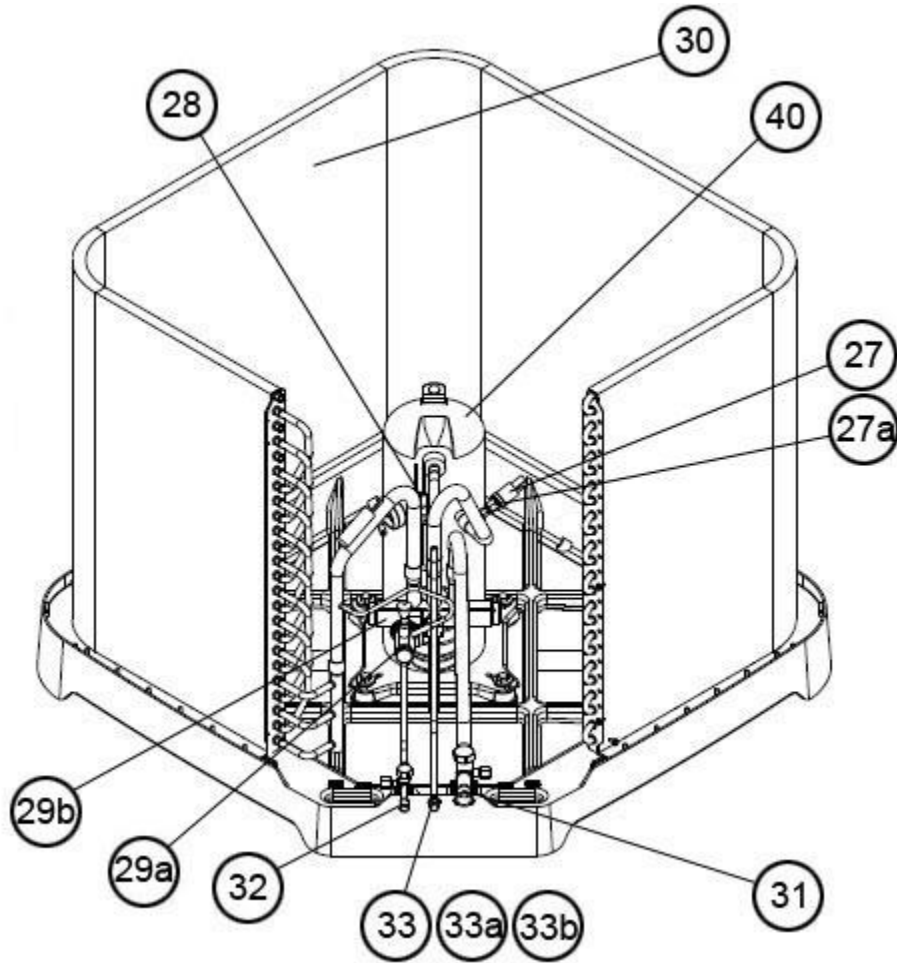
Exploded View



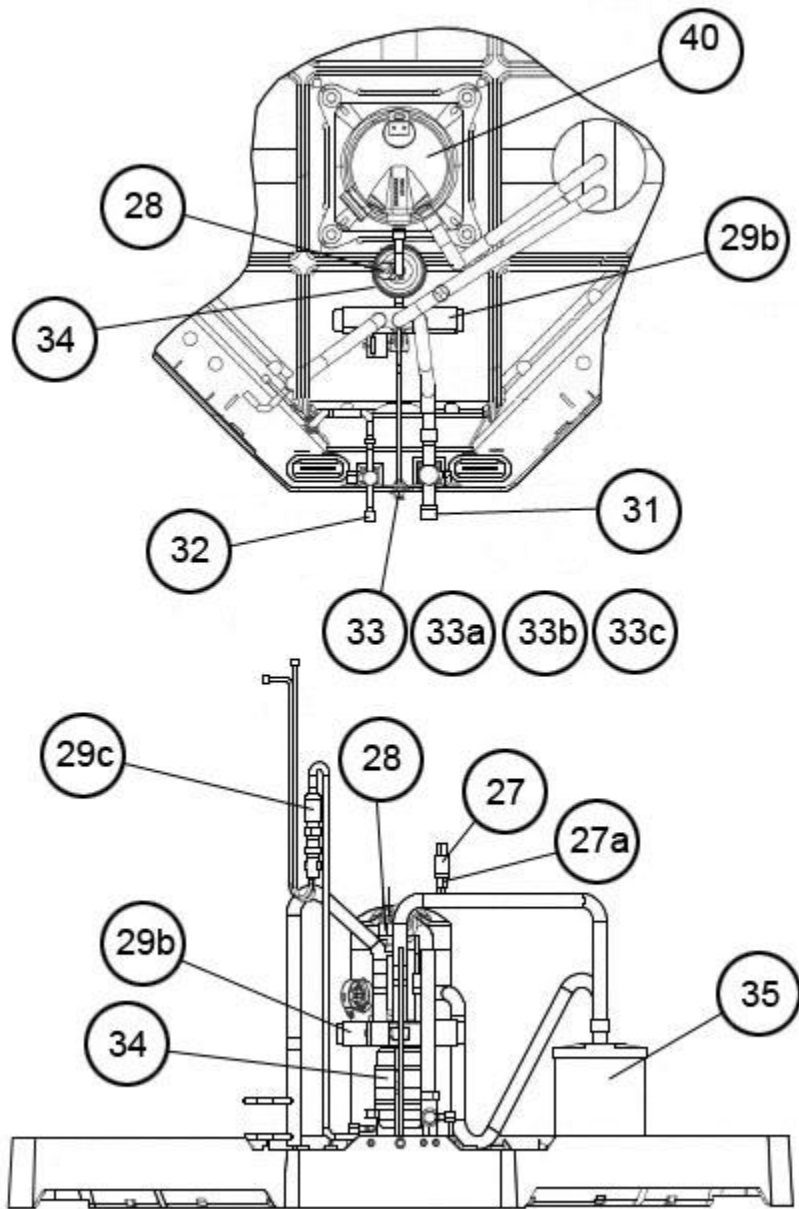
Control Box (1)



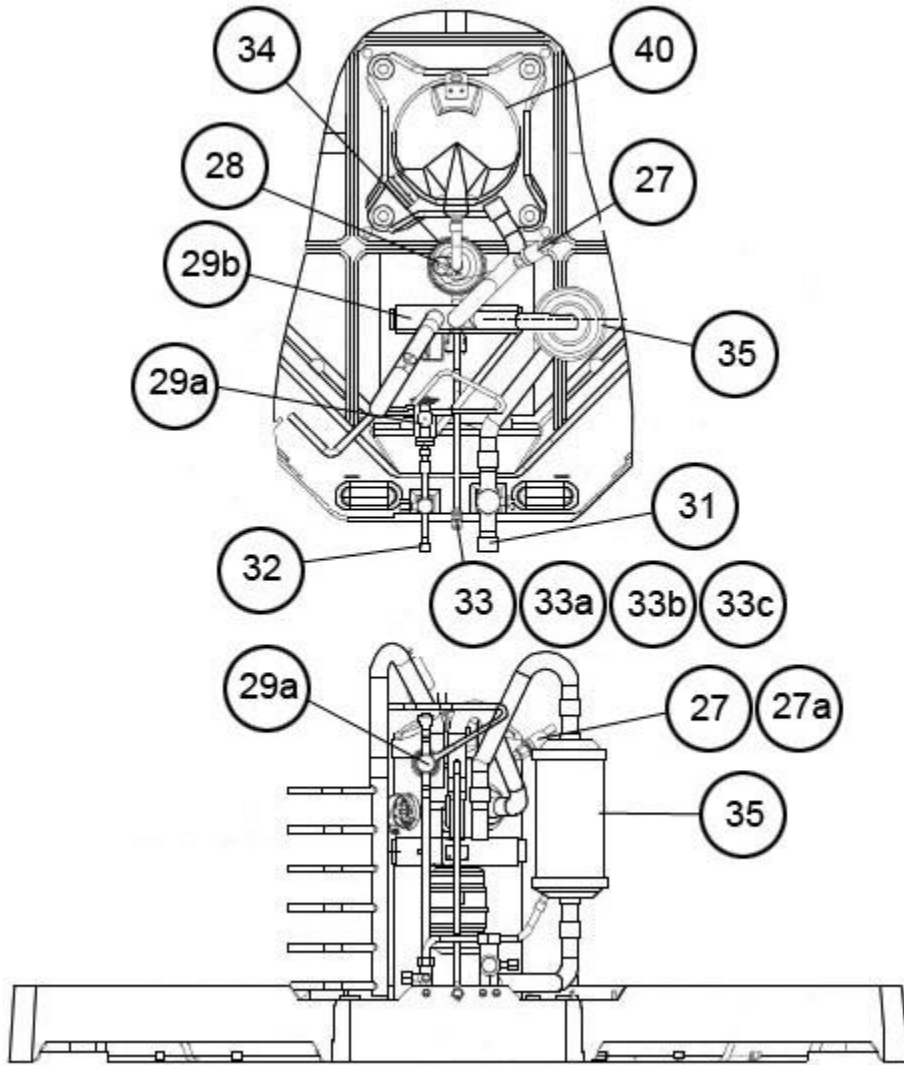
Control Box (2)



Valve Mounting, Compressor



Distributor-Piston Variants



TXV Variants

NOTES

Stk It is recommended that stock be maintained for this part.

N/A Not Applicable

- 1 Production has utilized both Three-phase and Single-phase fan motors on some units. For these, it is necessary to verify motor type before ordering.

DISCLAIMER: This document is intended to provide general replacement parts information to aid qualified service personnel in the repair of these models. The complete Model and Serial Number of the unit under repair should be specified when selecting and ordering replacement parts. Specifications and illustrations are subject to change without notice. Document 92-42800-RP14 supersedes all previous parts lists for these models. See <http://www.rheempartslists.net/92-42800-RP14> for the latest revision of this document. The manufacturer assumes no obligation for errors or omissions. Service personnel must verify the proper and safe operation of equipment after the replacement of any original components.