

RH2V

Parts List
09-January-2020



*This parts list is current as of the above revision date.
See <http://www.rheempartslists.net/92-42800-RH2V.pdf> for the current revision.*

Air Handlers

Table of Contents

Model Explanation	Page 3
Parts Numbers	
Panels - MSC (1)	Page 4
Panels - MSC (2)	Page 5
ELG	Page 6
BG	Page 7
CPG	Page 8
HKG	Page 8
Drawings/Photographs	
Exploded View	Page 9
Blower Assembly	Page 10
Notes/Disclaimer	Page 11

MODEL NUMBER EXPLANATION

R	H	2	V	2	4	2	1	H	T	A	C	J	A	***
1	2	3	4	5		6		7	8	9	10	11	12	13

- | | |
|--|--|
| <p>(1) BRAND</p> <p>(2) AIR HANDLER</p> <p>(3) STAGE OF AIRFLOW
2 = Two Stage</p> <p>(4) MOTOR TYPE
V = Variable Speed</p> <p>(5) CAPACITY (BTU/HR)
18 = 18,000 BTU/HR
24 = 24,000 BTU/HR
30 = 30,000 BTU/HR
36 = 36,000 BTU/HR
42 = 42,000 BTU/HR
48 = 48,000 BTU/HR
60 = 60,000 BTU/HR</p> <p>(6) WIDTH
17 = 17.5 in. (600 - 1200 CFM)
21 = 21 in. (800 - 1600 CFM)
24 = 24.5 in. (1400 - 1800 CFM)</p> <p>(7) COIL SIZE
S = Standard
M = Medium
H = High</p> | <p>(8) METERING DEVICE
T = TEV
E = EEV
P = Piston</p> <p>(9) MAJOR SERIES
A = First</p> <p>(10) CONTROLS
C = Communicating
N = Non-Communicating</p> <p>(11) VOLTAGE
A = 115/1/60
D = 460/3/60
J = 208-230/1/60
T = 220-240/1/50</p> <p>(12) MINOR SERIES
A = First</p> <p>(13) OPTION CODE
Blank = None</p> |
|--|--|

SERIAL NUMBER EXPLANATION

W	0	7	0	9	9	9	9	9	9
1	2		3	4					

- 1** **PRODUCTION LOCATION**
W = Nuevo Laredo (West)
- 2** **WEEK OF PRODUCTION**
- 3** **YEAR OF PRODUCTION**
- 4** **PRODUCTION NUMBER**

No.	Notes	MODEL	RH2V	RH2V	RH2V	RH2V
		CAPACITY	24	36	48	60
		CABINET SIZE	21	21	21	24
		COIL SIZE/METERING	MT	MT	MT	ST
		MAJOR SERIES/CONTROLS	AN	AN	AN	AN
		VOLTAGE/MINOR SERIES	JA	JA	JA	JA
PANELS, SHEET METAL, MISCELLANEOUS						
1		Cabinet	N/A	N/A	N/A	N/A
		Insulation - Cabinet	68-101121-02	68-101121-03	68-101121-15	68-101121-04
		Insulation Retainer Rod (2)	45-102868-03	45-102868-03	45-102868-03	45-102868-04
2		Coil Door	AE-100685-33	AE-100685-34	AE-100685-37	AE-100685-36
		Insulation - Coil Door	68-101577-07	68-101577-08	68-101577-10	68-101577-09
3		Top Cover Plate	AE-100686-32	AE-100686-32	AE-100686-32	AE-100686-33
		Insulation - Top Cover Plate	68-101122-02	68-101122-02	68-101122-02	68-101122-03
4		Blower Door	AE-100684-32	AE-100684-32	AE-100684-32	AE-100684-33
		Insulation - Blower Door	68-101576-02	68-101576-02	68-101576-02	68-101576-03
5		Access Panel	AE-101133-31	AE-101133-31	AE-101133-31	AE-101133-31
		Insulation - Access Panel	68-101644-01	68-101644-01	68-101644-01	68-101644-01
		Poron Gasket (Blower & Coil Doors)	68-42246-03	68-42246-03	68-42246-03	68-42246-03
6		Drain Pan - Vertical	See RCH Coil Parts List			
7		Drain Pan - Horizontal	See RCH Coil Parts List			
8		Plate - Block Off	AE-100455-01	AE-100455-01	AE-100455-01	AE-100455-01
9		Cabinet Brace	AE-101134-03	AE-101134-03	AE-101134-03	AE-101134-04
10		Middle Brace	AE-101054-02	AE-101054-02	AE-101054-02	AE-101054-03
13a		Heat Barrier	AE-100683-05	AE-100683-06	AE-100683-06	AE-100683-08
13b		Heat Barrier Side (2)	AE-104241-01	AE-104241-01	AE-104241-01	AE-104241-01
		Insulation Retainer Rod (2)	45-102868-03	45-102868-03	45-102868-03	45-102868-04
		Duct Flanges (2)	AE-101048-07	AE-101048-07	AE-101048-07	AE-101048-07
		Touch-up Paint - Granite/Steel Gray (Aerosol)	PD523018	PD523018	PD523018	PD523018
		Touch-up Paint - Granite/Steel Gray (Paint Pens)	PD523019	PD523019	PD523019	PD523019

No.	Notes	MODEL	RH2V	RH2V	RH2V	RH2V
		CAPACITY	24	24	60	60
		CABINET SIZE	17	17	21	21
		COIL SIZE/METERING	ST	ST	ST	ST
		MAJOR SERIES/CONTROLS	AC	AN	AC	AC
		VOLTAGE/MINOR SERIES	JA	JA	JA	JA
PANELS, SHEET METAL, MISCELLANEOUS						
1		Cabinet	N/A	N/A	N/A	
		Insulation - Cabinet	68-101121-01	68-101121-01	68-101121-15	
		Insulation Retainer Rod (2)	45-102868-02	45-102868-02	45-102868-03	
2		Coil Door	AE-100685-32	AE-100685-32	AE-100685-37	
		Insulation - Coil Door	68-101577-06	68-101577-06	68-101577-10	
3		Top Cover Plate	AE-100686-31	AE-100686-31	AE-100686-32	
		Insulation - Top Cover Plate	68-101122-01	68-101122-01	68-101122-02	
4		Blower Door	AE-100684-31	AE-100684-31	AE-100684-32	
		Insulation - Blower Door	68-101576-01	68-101576-01	68-101576-02	
5		Access Panel	AE-101133-31	AE-101133-31	AE-101133-31	
		Insulation - Access Panel	68-101644-01	68-101644-01	68-101644-01	
		Poron Gasket (Blower & Coil Doors)	68-42246-03	68-42246-03	68-42246-03	
6		Drain Pan - Vertical	See RCH Coil Parts List			
7		Drain Pan - Horizontal	See RCH Coil Parts List			
8		Plate - Block Off	AE-100455-01	AE-100455-01	AE-100455-01	
9		Cabinet Brace	AE-101134-02	AE-101134-02	AE-101134-03	
10		Middle Brace	AE-101054-01	AE-101054-01	AE-101054-02	
13a		Heat Barrier	AE-100683-03	AE-100683-03	AE-100683-06	
13b		Heat Barrier Side (2)	AE-104241-01	AE-104241-01	AE-104241-01	
		Duct Flanges (2)	AE-101048-07	AE-101048-07	AE-101048-07	
		Touch-up Paint - Granite/Steel/Warm Dark Gray (Aerosol)	PD523018	PD523018	PD523018	
		Touch-up Paint - Granite/Steel/Warm Dark Gray (Paint Pens)	PD523019	PD523019	PD523019	

No.	Notes	MODEL	RH2V	RH2V	RH2V	RH2V
		CAPACITY	24	36	48	48
		CABINET SIZE	21	24	24	24
		COIL SIZE/METERING	HT	HT	HT	ST
		MAJOR SERIES/CONTROLS	AC	AC	AC	AC
		VOLTAGE/MINOR SERIES	JA	JA	JA	JA
PANELS, SHEET METAL, MISCELLANEOUS						
1		Cabinet	N/A	N/A	N/A	N/A
		Insulation - Cabinet	68-101121-02	68-101121-04	68-101121-04	68-101121-04
		Insulation Retainer Rod (2)	45-102868-03	45-102868-04	45-102868-04	45-102868-04
2		Coil Door	AE-100685-33	AE-100685-36	AE-100685-36	AE-100685-36
		Insulation - Coil Door	68-101577-07	68-101577-09	68-101577-09	68-101577-09
3		Top Cover Plate	AE-100686-32	AE-100686-33	AE-100686-33	AE-100686-33
		Insulation - Top Cover Plate	68-101122-02	68-101122-03	68-101122-03	68-101122-03
4		Blower Door	AE-100684-32	AE-100684-33	AE-100684-33	AE-100684-33
		Insulation - Blower Door	68-101576-02	68-101576-03	68-101576-03	68-101576-03
5		Access Panel	AE-101133-31	AE-101133-31	AE-101133-31	AE-101133-31
		Insulation - Access Panel	68-101644-01	68-101644-01	68-101644-01	68-101644-01
		Poron Gasket (Blower & Coil Doors)	68-42246-03	68-42246-03	68-42246-03	68-42246-03
6		Drain Pan - Vertical	See RCH Coil Parts List			
7		Drain Pan - Horizontal	See RCH Coil Parts List			
8		Plate - Block Off	AE-100455-01	AE-100455-01	AE-100455-01	AE-100455-01
9		Cabinet Brace	AE-101134-03	AE-101134-04	AE-101134-04	AE-101134-04
10		Middle Brace	AE-101054-02	AE-101054-03	AE-101054-03	AE-101054-03
13a		Heat Barrier	AE-100683-05	AE-100683-08	AE-100683-08	AE-100683-08
13b		Heat Barrier Side (2)	AE-104241-01	AE-104241-01	AE-104241-01	AE-104241-01
		Insulation Retainer Rod (2)	45-102868-03	45-102868-04	45-102868-04	45-102868-04
		Duct Flanges (2)	AE-101048-07	AE-101048-07	AE-101048-07	AE-101048-07
		Touch-up Paint - Granite/Steel Gray (Aerosol)	PD523018	PD523018	PD523018	PD523018
		Touch-up Paint - Granite/Steel Gray (Paint Pens)	PD523019	PD523019	PD523019	PD523019

No.	Notes	MODEL	RH2V	RH2V	RH2V	RH2V
		CAPACITY	24	36	48	60
		CABINET SIZE	21	21	21	24
		COIL SIZE/METERING	MT	MT	MT	ST
		MAJOR SERIES/CONTROLS	AC	AC	AC	AC
		VOLTAGE/MINOR SERIES	JA	JA	JA	JA
PANELS, SHEET METAL, MISCELLANEOUS						
1		Cabinet	N/A	N/A	N/A	N/A
		Insulation - Cabinet	68-101121-02	68-101121-03	68-101121-15	68-101121-04
		Insulation Retainer Rod (2)	45-102868-03	45-102868-03	45-102868-03	45-102868-04
2		Coil Door	AE-100685-33	AE-100685-34	AE-100685-37	AE-100685-36
		Insulation - Coil Door	68-101577-07	68-101577-08	68-101577-10	68-101577-09
3		Top Cover Plate	AE-100686-32	AE-100686-32	AE-100686-32	AE-100686-33
		Insulation - Top Cover Plate	68-101122-02	68-101122-02	68-101122-02	68-101122-03
4		Blower Door	AE-100684-32	AE-100684-32	AE-100684-32	AE-100684-33
		Insulation - Blower Door	68-101576-02	68-101576-02	68-101576-02	68-101576-03
5		Access Panel	AE-101133-31	AE-101133-31	AE-101133-31	AE-101133-31
		Insulation - Access Panel	68-101644-01	68-101644-01	68-101644-01	68-101644-01
		Poron Gasket (Blower & Coil Doors)	68-42246-03	68-42246-03	68-42246-03	68-42246-03
6		Drain Pan - Vertical	See RCH Coil Parts List			
7		Drain Pan - Horizontal	See RCH Coil Parts List			
8		Plate - Block Off	AE-100455-01	AE-100455-01	AE-100455-01	AE-100455-01
9		Cabinet Brace	AE-101134-03	AE-101134-03	AE-101134-03	AE-101134-04
10		Middle Brace	AE-101054-02	AE-101054-02	AE-101054-02	AE-101054-03
13a		Heat Barrier	AE-100683-05	AE-100683-06	AE-100683-06	AE-100683-08
13b		Heat Barrier Side (2)	AE-104241-01	AE-104241-01	AE-104241-01	AE-104241-01
		Insulation Retainer Rod (2)	45-102868-03	45-102868-03	45-102868-03	45-102868-04
		Duct Flanges (2)	AE-101048-07	AE-101048-07	AE-101048-07	AE-101048-07
		Touch-up Paint - Granite/Steel Gray (Aerosol)	PD523018	PD523018	PD523018	PD523018
		Touch-up Paint - Granite/Steel Gray (Paint Pens)	PD523019	PD523019	PD523019	PD523019

No.	Notes	MODEL	RH2V	RH2V	RH2V	RH2V	RH2V	RH2V
		CAPACITY	24	36	48	48	60	60
		CABINET SIZE	21	24	24	24	21	24
		COIL SIZE/METERING	HT	HT	HT	ST	ST	HT
		MAJOR SERIES/CONTROLS	AC	AC	AC	AC	AC	AC
		VOLTAGE/MINOR SERIES	JA	JA	JA	JA	JA	JA
ELECTRICAL GROUP								
17	Stk	Transformer	46-101944-03	46-101944-03	46-101944-03	46-101944-03	46-101905-01	46-101944-03
18	Stk	Control Board	47-102606-05	47-102606-05	47-102606-05	47-102606-05	47-105415-02	47-102606-05
		Memory Card (EEPROM)	47-102738-51	47-102738-52	47-102738-53	47-102738-44	47-102738-179	47-102738-54
		Wiring Harness - 11 Pin Molex to 11 stripped wires (For T-Stat)	45-101891-04	45-101891-04	45-101891-04	45-101891-04	N/A	45-101891-04
		Wiring Harness - 9 Pin Molex to 9 stripped wires (For T-Stat)	N/A	N/A	N/A	N/A	45-101891-02	N/A
		Wiring Harness - 5 pin to 1 Ring and 2 Straight Terminals	45-24258-16	45-24258-16	45-24258-16	45-24258-16	45-24258-16	45-24258-16
		Wiring Harness - 4 pin to 4 pin (Indoor Blower Motor)	45-24258-25	45-24258-25	45-24258-25	45-24258-25	45-24258-31	45-24258-25
11		Terminal Block	45-23222-02	45-23222-02	45-23222-02	45-23222-02	45-23222-02	45-23222-02

No.	Notes	MODEL	RH2V	RH2V	RH2V	RH2V	RH2V	
		CAPACITY	24	24	36	48	60	
		CABINET SIZE	17	21	21	21	24	
		COIL SIZE/METERING	ST	MT	MT	MT	ST	
		MAJOR SERIES/CONTROLS	AC	AC	AC	AC	AC	
		VOLTAGE/MINOR SERIES	JA	JA	JA	JA	JA	
ELECTRICAL GROUP								
17	Stk	Transformer	46-101905-01	46-101905-01	46-101905-01	46-101905-01	46-101905-01	
18	Stk	Control Board	47-105415-02	47-105415-02	47-105415-02	47-105415-02	47-105415-02	
		Memory Card (EEPROM)	47-102738-178	47-102738-146	47-102738-147	47-102738-148	47-102738-149	
		Wiring Harness - 9 Pin Molex to 9 stripped wires (For T-Stat)	45-101891-02	45-101891-02	45-101891-02	45-101891-02	45-101891-02	
		Wiring Harness - 5 pin to 1 Ring and 2 Straight Terminals	45-24258-16	45-24258-16	45-24258-16	45-24258-16	45-24258-16	
		Wiring Harness - 4 pin to 4 pin (Indoor Blower Motor)	45-24258-31	45-24258-31	45-24258-31	45-24258-31	45-24258-31	
11		Terminal Block	45-23222-02	45-23222-02	45-23222-02	45-23222-02	45-23222-02	

No.	Notes	MODEL	RH2V	RH2V	RH2V	RH2V	RH2V	
		CAPACITY	24	24	36	48	60	
		CABINET SIZE	17	21	21	21	24	
		COIL SIZE/METERING	ST	MT	MT	MT	ST	
		MAJOR SERIES/CONTROLS	AN	AN	AN	AN	AN	
		VOLTAGE/MINOR SERIES	JA	JA	JA	JA	JA	
ELECTRICAL GROUP								
17	Stk	Transformer	46-101905-01	46-101905-01	46-101905-01	46-101905-01	46-101905-01	
18	Stk	Control Board	47-100436-07	47-102077-03	47-102077-03	47-102077-03	47-102077-03	
		Wiring Harness - 6 Pin Molex to 6 stripped wires (For T-Stat)	45-101891-02	45-101891-02	45-101891-02	45-101891-02	45-101891-02	
		Wiring Harness - 1 strip lead and 1 connector to single connector (Control Transformer to Blower Motor to Terminal Block - Black Wires)	45-24258-16	45-24258-16	45-24258-16	45-24258-16	45-24258-16	
		Wiring Harness - 1 strip lead and 1 connector to single connector (Control Transformer to Blower Motor and Terminal Block)	45-24258-14	45-24258-14	45-24258-14	45-24258-14	45-24258-14	
11		Terminal Block	45-23222-02	45-23222-02	45-23222-02	45-23222-02	45-23222-02	

No.	Notes	MODEL	RH2V	RH2V	RH2V	RH2V	RH2V	RH2V
		CAPACITY	24	36	48	48	60	60
		CABINET SIZE	21	24	24	24	21	24
		COIL SIZE/METERING	HT	HT	HT	ST	ST	HT
		MAJOR SERIES/CONTROLS	AC	AC	AC	AC	AC	AC
		VOLTAGE/MINOR SERIES	JA	JA	JA	JA	JA	JA
BLOWER GROUP								
15	Stk	Blower Assembly (Includes items 16-22)	AS-101885-11	AS-101885-13	AS-101885-13	AS-101885-13	AS-101885-26	AS-101885-13
16		Mounting Bracket - Control Board	AE-101049-01	AE-101049-01	AE-101049-01	AE-101049-01	AE-101049-01	AE-101049-01
17		Transformer	See Electrical Group					
18		Control Board	See Electrical Group					
		Control Identity EEPROM	See Electrical Group					
19		Blower Housing w/Wheel	70-101729-02	70-101729-04	70-101729-04	70-101729-04	70-101729-08	70-101729-04
	Stk	Blower Wheel	703014	703015	703015	703015	703023	703015
20		Motor Mount - Band	70-19927-04	70-19927-04	70-19927-04	70-19927-04	70-19927-04	70-19927-04
21		Motor Mount - Arm (4)	70-19929-10	70-19929-10	70-19929-10	70-19929-10	70-19929-10	70-19929-10
22	Stk	Blower Motor	51-102601-01	51-104390-01	51-104390-01	51-104390-01	51-102603-01	51-104390-01
23		Mounting Bracket Cover	AE-101797-01	AE-101797-01	AE-101797-01	AE-101797-01	AE-101797-01	AE-101797-01

No.	Notes	MODEL	RH2V	RH2V	RH2V	RH2V	RH2V	
		CAPACITY	24	24	36	48	60	
		CABINET SIZE	17	21	21	21	24	
		COIL SIZE/METERING	ST	MT	MT	MT	ST	
		MAJOR SERIES/CONTROLS	AC	AC	AC	AC	AC	
		VOLTAGE/MINOR SERIES	JA	JA	JA	JA	JA	
BLOWER GROUP								
15	Stk	Blower Assembly (Includes items 16-22)	AS-101885-37	AS-101885-25	AS-101885-34	AS-101885-26	AS-101885-27	
16		Mounting Bracket - Control Board	AE-101049-01	AE-101049-01	AE-101049-01	AE-101049-01	AE-101049-01	
17		Transformer	See Electrical Group					
18		Control Board	See Electrical Group					
		Control Identity EEPROM	See Electrical Group					
19		Blower Housing w/Wheel	70-101729-02	70-101729-02	70-101729-08	70-101729-08	70-101729-04	
	Stk	Blower Wheel	703014	703014	703023	703023	703015	
20		Motor Mount - Band	70-19927-04	70-19927-04	70-19927-04	70-19927-04	70-19927-04	
21		Motor Mount - Arm (4)	70-19929-10	70-19929-10	70-19929-10	70-19929-10	70-19929-10	
22	Stk	Blower Motor	51-102601-01	51-104388-01	51-102602-01	51-102603-01	51-104390-01	
23		Mounting Bracket Cover	AE-101797-01	AE-101797-01	AE-101797-01	AE-101797-01	AE-101797-01	

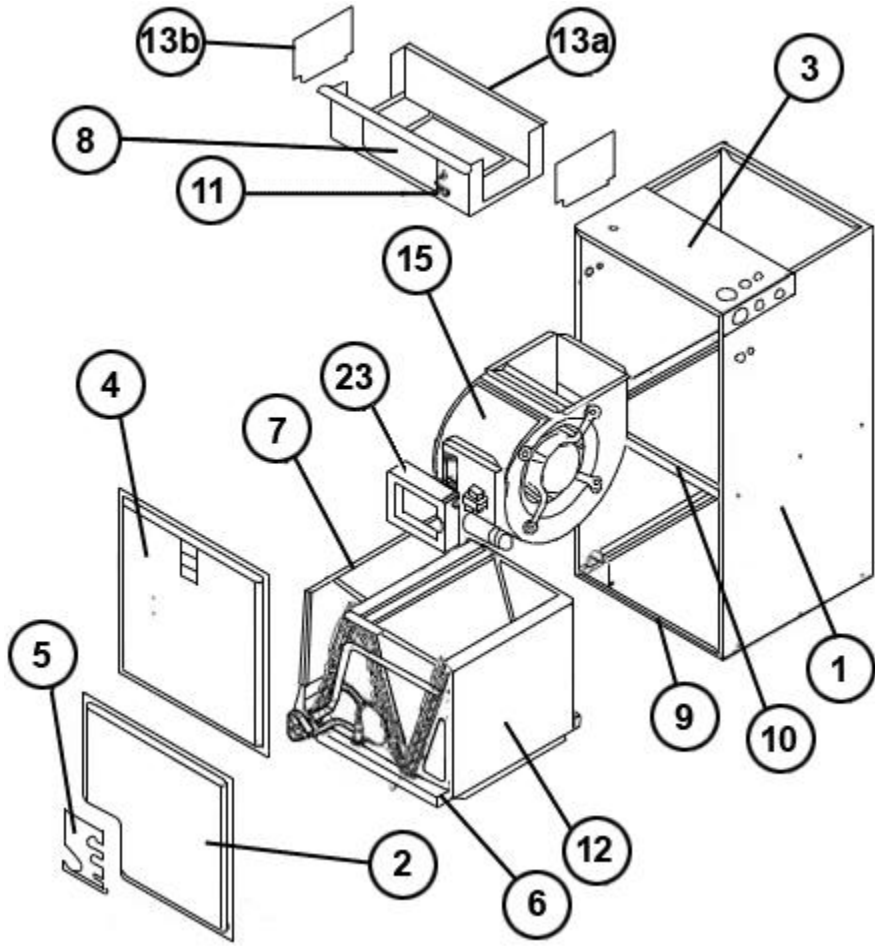
No.	Notes	MODEL	RH2V	RH2V	RH2V	RH2V	RH2V	
		CAPACITY	24	24	36	48	60	
		CABINET SIZE	17	21	21	21	24	
		COIL SIZE/METERING	ST	MT	MT	MT	ST	
		MAJOR SERIES/CONTROLS	AN	AN	AN	AN	AN	
		VOLTAGE/MINOR SERIES	JA	JA	JA	JA	JA	
BLOWER GROUP								
15	Stk	Blower Assembly (Includes items 16-22)	AS-101885-38	AS-101885-30	AS-101885-31	AS-101885-32	AS-101885-33	
16		Mounting Bracket - Control Board	AE-101049-01	AE-101049-01	AE-101049-01	AE-101049-01	AE-101049-01	
17		Transformer	See Electrical Group					
18		Control Board	See Electrical Group					
19		Blower Housing w/Wheel	70-101729-02	70-101729-02	70-101729-08	70-101729-08	70-101729-04	
	Stk	Blower Wheel	703014	703014	703023	703023	703015	
20		Motor Mount - Band	70-19927-04	70-19927-04	70-19927-04	70-19927-04	70-19927-04	
21		Motor Mount - Arm (4)	70-19929-10	70-19929-10	70-19929-10	70-19929-10	70-19929-10	
22	Stk	Blower Motor	51-104303-12	51-104303-11	51-104304-24	51-104305-33	51-104305-34	
23		Mounting Bracket Cover	AE-101797-01	AE-101797-01	AE-101797-01	AE-101797-01	AE-101797-01	

No.	Notes	MODEL	RH2V	RH2V	RH2V	RH2V	RH2V	RH2V
		CAPACITY	24	24	36	48	48	60
		CABINET SIZE	17	21	24	24	24	24
		COIL SIZE/METERING	ST	HT	HT	HT	ST	HT
COIL GROUP								
12		Replacement Coil w/TXV	RCH-2417STAMU A	RCH-2421HTAVUA	RCH-3624HTAVUA	RCH-4824HTAVUA	RCH-4824STAVUA	RCH-6024HTAVUA
		Horizontal Adapter Kit	See specified RCH Coil Parts List					
		Drain Pan - Vertical	See specified RCH Coil Parts List					
		TXV	See specified RCH Coil Parts List					

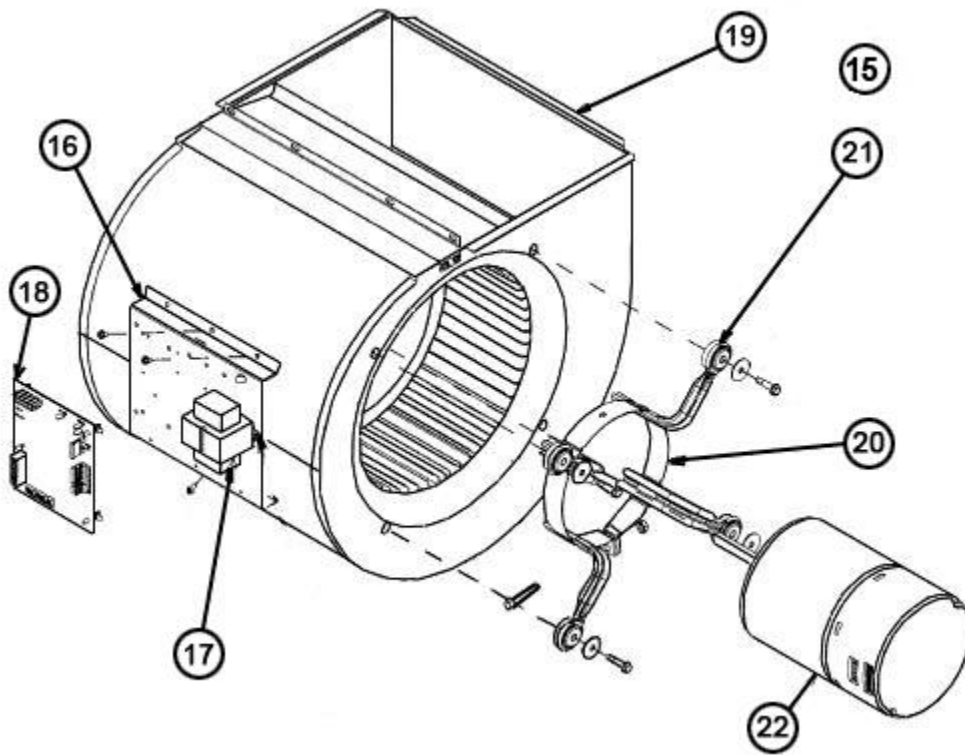
No.	Notes	MODEL	RH2V	RH2V	RH2V	RH2V	RH2V
		CAPACITY	24	36	48	60	60
		CABINET SIZE	21	21	21	21	24
		COIL SIZE/METERING	MT	MT	MT	ST	ST
COIL GROUP							
12		Replacement Coil w/TXV	RCH-2421HTAVUA	RCH-3621MTAVUA	RCH-4821MTAVUA	RCH-4821MTAVUA	RCH-6024STAVUA
		Horizontal Adapter Kit	See specified RCH Coil Parts List				
		Drain Pan - Vertical	See specified RCH Coil Parts List				
		TXV	See specified RCH Coil Parts List				

No.	Notes	MODEL	RH2V	RH2V	RH2V	RH2V	RH2V	RH2V
		CAPACITY	24	24	36	48	48	60
		CABINET SIZE	17	21	24	24	24	24
		COIL SIZE/METERING	ST	HT	HT	HT	ST	HT
HEATER KITS								
		Heater Kit - 3kW/208-240/1	RXBH-1724A03J RXBH-1724B03J RXBH-1724C03J	N/A	N/A	N/A	N/A	N/A
		Heater Kit - 5kW/208-240/1	RXBH-1724A05J RXBH-1724B05J RXBH-1724C05J	RXBH-1724A05J RXBH-1724B05J RXBH-1724C05J	RXBH-1724A05J RXBH-1724B05J RXBH-1724C05J	RXBH-1724A05J RXBH-1724B05J RXBH-1724C05J	RXBH-1724A05J RXBH-1724B05J RXBH-1724C05J	RXBH-1724A05J RXBH-1724B05J RXBH-1724C05J
		Heater Kit - 7kW/208-240/1	RXBH-1724A07J RXBH-1724B07J RXBH-1724C07J	RXBH-1724A07J RXBH-1724B07J RXBH-1724C07J	RXBH-1724A07J RXBH-1724B07J RXBH-1724C07J	RXBH-1724A07J RXBH-1724B07J RXBH-1724C07J	RXBH-1724A07J RXBH-1724B07J RXBH-1724C07J	RXBH-1724A07J RXBH-1724B07J RXBH-1724C07J
		Heater Kit - 7kW/208-240/3	RXBH-1724A07C					
		Heater Kit - 10kW/208-240/1	RXBH-1724A10J RXBH-1724B10J RXBH-1724C10J	RXBH-1724A10J RXBH-1724B10J RXBH-1724C10J	RXBH-1724A10J RXBH-1724B10J RXBH-1724C10J	RXBH-1724A10J RXBH-1724B10J RXBH-1724C10J	RXBH-1724A10J RXBH-1724B10J RXBH-1724C10J	RXBH-1724A10J RXBH-1724B10J RXBH-1724C10J
		Heater Kit - 10kW/208-240/3	RXBH-1724A10C	N/A	N/A	N/A	N/A	N/A
		Heater Kit - 13kW/208-240/3	RXBH-1724A13C	N/A	N/A	N/A	N/A	N/A
		Heater Kit - 15kW/208-240/1		N/A	RXBH-1724A15J	RXBH-1724A15J	RXBH-1724A15J	RXBH-1724A15J
		Heater Kit - 18kW/208-240/1		N/A	RXBH-1724A18J	RXBH-1724A18J	RXBH-1724A18J	RXBH-1724A18J
		Heater Kit - 20kW/208-240/1		N/A	N/A	RXBH-24A20J	RXBH-24A20J	RXBH-24A20J
		Heater Kit - 25kW/208-240/1		N/A	N/A	RXBH-24A25J	RXBH-24A25J	RXBH-24A25J
		Heater Kit - 30kW/208-240/1		N/A	N/A	N/A	N/A	RXBH-24A30J

No.	Notes	MODEL	RH2V	RH2V	RH2V	RH2V	RH2V
		CAPACITY	24	36	48	60	60
		CABINET SIZE	21	21	21	21	24
		COIL SIZE/METERING	MT	MT	MT	ST	ST
HEATER KITS							
		Heater Kit - 5kW/208-240/1	RXBH-1724A05J RXBH-1724B05J RXBH-1724C05J	RXBH-1724A05J RXBH-1724B05J RXBH-1724C05J	RXBH-1724A05J RXBH-1724B05J RXBH-1724C05J	RXBH-1724A05J RXBH-1724B05J RXBH-1724C05J	RXBH-1724A05J RXBH-1724B05J RXBH-1724C05J
		Heater Kit - 7kW/208-240/1	RXBH-1724A07J RXBH-1724B07J RXBH-1724C07J	RXBH-1724A07J RXBH-1724B07J RXBH-1724C07J	RXBH-1724A07J RXBH-1724B07J RXBH-1724C07J	RXBH-1724A07J RXBH-1724B07J RXBH-1724C07J	RXBH-1724A07J RXBH-1724B07J RXBH-1724C07J
		Heater Kit - 10kW/208-240/1	RXBH-1724A10J RXBH-1724B10J RXBH-1724C10J	RXBH-1724A10J RXBH-1724B10J RXBH-1724C10J	RXBH-1724A10J RXBH-1724B10J RXBH-1724C10J	RXBH-1724A10J RXBH-1724B10J RXBH-1724C10J	RXBH-1724A10J RXBH-1724B10J RXBH-1724C10J
		Heater Kit - 15kW/208-240/1	N/A	RXBH-1724A15J	RXBH-1724A15J	RXBH-1724A15J	RXBH-1724A15J
		Heater Kit - 18kW/208-240/1	N/A	RXBH-1724A18J	RXBH-1724A18J	RXBH-1724A18J	RXBH-1724A18J
		Heater Kit - 20kW/208-240/1	N/A	N/A	RXBH-24A20J	RXBH-24A20J	RXBH-24A20J
		Heater Kit - 25kW/208-240/1	N/A	N/A	RXBH-24A25J	RXBH-24A25J	RXBH-24A25J
		Heater Kit - 30kW/208-240/1	N/A	N/A	N/A	N/A	RXBH-24A30J



Exploded View



Blower Assembly

NOTES

Stk It is recommended that stock be maintained for this part.
N/A Not Applicable

DISCLAIMER: This document is intended to provide general replacement parts information to aid qualified service personnel in the repair of these models. The complete Model and Serial Number of the unit under repair should be specified when selecting and ordering replacement parts. Specifications and illustrations are subject to change without notice. Document 92-42800-RH2V supersedes all previous parts lists for these models. See <http://www.rheempartslists.net/92-42800-RH2V> for the latest revision of this document. The manufacturer assumes no obligation for errors or omissions. Service personnel must verify the proper and safe operation of equipment after the replacement of any original components.