

RH2T

Parts List
12-December-2019



*This parts list is current as of the above revision date.
See <http://www.rheempartslists.net/92-42800-RH2T.pdf> for the current revision.*

Air Handlers

Table of Contents

| | |
|-----------------------------|---------|
| Model Explanation | Page 3 |
| Parts Numbers | |
| Panels - MSC (1) | Page 4 |
| Panels - MSC (2) | Page 5 |
| Panels - MSC (3) | Page 6 |
| ELG (1) | Page 7 |
| ELG (2) | Page 8 |
| BG | Page 9 |
| CPG | Page 10 |
| HKG | Page 11 |
| Drawings/Photographs | |
| Exploded View | Page 12 |
| Blower Assembly | Page 13 |
| Notes/Disclaimer | Page 14 |

MODEL NUMBER EXPLANATION

| | | | | | | | | | | | | | | |
|----------|----------|----------|----------|----------|----------|----------|----------|----------|----------|----------|-----------|-----------|-----------|------------|
| R | H | 2 | T | 2 | 4 | 2 | 1 | M | T | A | N | J | A | *** |
| 1 | 2 | 3 | 4 | 5 | | 6 | | 7 | 8 | 9 | 10 | 11 | 12 | 13 |

- | | |
|---|--|
| <p>(1) BRAND</p> <p>(2) AIR HANDLER</p> <p>(3) STAGE OF AIRFLOW 2 = Two Stage</p> <p>(4) MOTOR TYPE T = Constant Torque</p> <p>(5) CAPACITY (BTU/HR) 18 = 18,000 BTU/HR 24 = 24,000 BTU/HR 30 = 30,000 BTU/HR 36 = 36,000 BTU/HR 42 = 42,000 BTU/HR 48 = 48,000 BTU/HR 60 = 60,000 BTU/HR</p> <p>(6) WIDTH 17 = 17.5 in. (600 - 1200 CFM) 21 = 21 in. (800 - 1600 CFM) 24 = 24.5 in. (1400 - 1800 CFM)</p> <p>(7) COIL SIZE S = Standard M = Medium H = High</p> | <p>(8) METERING DEVICE T = TEV E = EEV P = Piston</p> <p>(9) MAJOR SERIES A = First</p> <p>(10) CONTROLS C = Communicating N = Non-Communicating</p> <p>(11) VOLTAGE A = 115/1/60 D = 460/3/60 J = 208-230/1/60 T = 220-240/1/50</p> <p>(12) MINOR SERIES A = First</p> <p>(13) OPTION CODE Blank = None</p> |
|---|--|

SERIAL NUMBER EXPLANATION

| | | | | | | | | | |
|----------|----------|----------|----------|----------|----------|----------|----------|----------|----------|
| W | 0 | 7 | 0 | 9 | 9 | 9 | 9 | 9 | 9 |
| 1 | 2 | | 3 | 4 | | | | | |

- 1** **PRODUCTION LOCATION**
W = Nuevo Laredo (West)
- 2** **WEEK OF PRODUCTION**
- 3** **YEAR OF PRODUCTION**
- 4** **PRODUCTION NUMBER**

| No. | Notes | MODEL | RH2T | RH2T | RH2T | RH2T |
|---|-------|--|-------------------------|--------------|--------------|--------------|
| | | CAPACITY | 24 | 36 | 48 | 60 |
| | | CABINET SIZE | 21 | 21 | 24 | 24 |
| | | COIL SIZE/METERING | MT | MT | MT | ST |
| | | MAJOR SERIES/CONTROLS | AN | AN | AN | AN |
| | | VOLTAGE/MINOR SERIES | JA | JA | JA | JA |
| PANELS, SHEET METAL, MISCELLANEOUS | | | | | | |
| 1 | | Cabinet | N/A | N/A | N/A | N/A |
| | | Insulation - Cabinet | 68-101121-02 | 68-101121-03 | 68-101121-03 | 68-101121-04 |
| | | Insulation Retainer Rod (2) | 45-102868-03 | 45-102868-03 | 45-102868-03 | 45-102868-04 |
| 2 | | Coil Door | AE-100685-33 | AE-100685-34 | AE-100685-34 | AE-100685-36 |
| | | Insulation - Coil Door | 68-101577-07 | 68-101577-08 | 68-101577-08 | 68-101577-09 |
| 3 | | Top Cover Plate | AE-100686-32 | AE-100686-32 | AE-100686-32 | AE-100686-33 |
| | | Insulation - Top Cover Plate | 68-101122-02 | 68-101122-02 | 68-101122-02 | 68-101122-03 |
| 4 | | Blower Door | AE-100684-32 | AE-100684-32 | AE-100684-32 | AE-100684-33 |
| | | Insulation - Blower Door | 68-101576-02 | 68-101576-02 | 68-101576-02 | 68-101576-03 |
| 5 | | Access Panel | AE-101133-31 | AE-101133-31 | AE-101133-31 | AE-101133-31 |
| | | Insulation - Access Panel | 68-101644-01 | 68-101644-01 | 68-101644-01 | 68-101644-01 |
| | | Poron Gasket (Blower & Coil Doors) | 68-42246-03 | 68-42246-03 | 68-42246-03 | 68-42246-03 |
| 6 | | Drain Pan - Vertical | See RCH Coil Parts List | | | |
| 7 | | Drain Pan - Horizontal | See RCH Coil Parts List | | | |
| 8 | | Plate - Block Off | AE-100455-01 | AE-100455-01 | AE-100455-01 | AE-100455-01 |
| 9 | | Cabinet Brace | AE-101134-03 | AE-101134-03 | AE-101134-03 | AE-101134-04 |
| 10 | | Middle Brace | AE-101054-02 | AE-101054-02 | AE-101054-02 | AE-101054-03 |
| 13a | | Heat Barrier | AE-100683-05 | AE-100683-06 | AE-100683-06 | AE-100683-08 |
| 13b | | Heat Barrier Side (2) | AE-104241-01 | AE-104241-01 | AE-104241-01 | AE-104241-01 |
| | | Duct Flanges (2) | AE-101048-07 | AE-101048-07 | AE-101048-07 | AE-101048-07 |
| | | Touch-up Paint - Granite/Steel Gray (Aerosol) | PD523018 | PD523018 | PD523018 | PD523018 |
| | | Touch-up Paint - Granite/Steel Gray (Paint Pens) | PD523019 | PD523019 | PD523019 | PD523019 |

| No. | Notes | MODEL | RH2T | RH2T | RH2T | RH2T |
|---|-------|--|-------------------------|--------------|--------------|--------------|
| | | CAPACITY | 24 | 36 | 48 | 60 |
| | | CABINET SIZE | 21 | 21 | 21 | 24 |
| | | COIL SIZE/METERING | ME | ME | ME | ME |
| | | MAJOR SERIES/CONTROLS | AC | AC | AC | AC |
| | | VOLTAGE/MINOR SERIES | JA | JA | JA | JA |
| PANELS, SHEET METAL, MISCELLANEOUS | | | | | | |
| 1 | | Cabinet | N/A | N/A | N/A | N/A |
| | | Insulation - Cabinet | 68-101121-02 | 68-101121-03 | 68-101121-15 | 68-101121-04 |
| | | Insulation Retainer Rod (2) | 45-102868-03 | 45-102868-03 | 45-102868-03 | 45-102868-04 |
| 2 | | Coil Door | AE-100685-33 | AE-100685-34 | AE-100685-37 | AE-100685-36 |
| | | Insulation - Coil Door | 68-101577-07 | 68-101577-08 | 68-101577-10 | 68-101577-09 |
| 3 | | Top Cover Plate | AE-100686-32 | AE-100686-32 | AE-100686-32 | AE-100686-33 |
| | | Insulation - Top Cover Plate | 68-101122-02 | 68-101122-02 | 68-101122-02 | 68-101122-03 |
| 4 | | Blower Door | AE-100684-32 | AE-100684-32 | AE-100684-32 | AE-100684-33 |
| | | Insulation - Blower Door | 68-101576-02 | 68-101576-02 | 68-101576-02 | 68-101576-03 |
| 5 | | Access Panel | AE-101133-31 | AE-101133-31 | AE-101133-31 | AE-101133-31 |
| | | Insulation - Access Panel | 68-101644-01 | 68-101644-01 | 68-101644-01 | 68-101644-01 |
| | | Poron Gasket (Blower & Coil Doors) | 68-42246-03 | 68-42246-03 | 68-42246-03 | 68-42246-03 |
| 6 | | Drain Pan - Vertical | See RCH Coil Parts List | | | |
| 7 | | Drain Pan - Horizontal | See RCH Coil Parts List | | | |
| 8 | | Plate - Block Off | AE-100455-01 | AE-100455-01 | AE-100455-01 | AE-100455-01 |
| 9 | | Cabinet Brace | AE-101134-03 | AE-101134-03 | AE-101134-03 | AE-101134-04 |
| 10 | | Middle Brace | AE-101054-02 | AE-101054-02 | AE-101054-02 | AE-101054-03 |
| 13a | | Heat Barrier | AE-100683-05 | AE-100683-06 | AE-100683-06 | AE-100683-08 |
| 13b | | Heat Barrier Side (2) | AE-104241-01 | AE-104241-01 | AE-104241-01 | AE-104241-01 |
| | | Duct Flanges (2) | AE-101048-07 | AE-101048-07 | AE-101048-07 | AE-101048-07 |
| | | Touch-up Paint - Granite/Steel Gray (Aerosol) | PD523018 | PD523018 | PD523018 | PD523018 |
| | | Touch-up Paint - Granite/Steel Gray (Paint Pens) | PD523019 | PD523019 | PD523019 | PD523019 |

| No. | Notes | MODEL | RH2T | RH2T | RH2T | RH2T |
|---|-------|--|-------------------------|--------------|--------------|--------------|
| | | CAPACITY | 24 | 36 | 48 | 60 |
| | | CABINET SIZE | 21 | 21 | 21 | 24 |
| | | COIL SIZE/METERING | MT | MT | MT | MT |
| | | MAJOR SERIES/CONTROLS | AC | AC | AC | AC |
| | | VOLTAGE/MINOR SERIES | JA | JA | JA | JA |
| PANELS, SHEET METAL, MISCELLANEOUS | | | | | | |
| 1 | | Cabinet | N/A | N/A | N/A | N/A |
| | | Insulation - Cabinet | 68-101121-02 | 68-101121-03 | 68-101121-03 | 68-101121-04 |
| | | Insulation Retainer Rod (2) | 45-102868-03 | 45-102868-03 | 45-102868-03 | 45-102868-04 |
| 2 | | Coil Door | AE-100685-33 | AE-100685-34 | AE-100685-34 | AE-100685-36 |
| | | Insulation - Coil Door | 68-101577-07 | 68-101577-08 | 68-101577-08 | 68-101577-09 |
| 3 | | Top Cover Plate | AE-100686-32 | AE-100686-32 | AE-100686-32 | AE-100686-33 |
| | | Insulation - Top Cover Plate | 68-101122-02 | 68-101122-02 | 68-101122-02 | 68-101122-03 |
| 4 | | Blower Door | AE-100684-32 | AE-100684-32 | AE-100684-32 | AE-100684-33 |
| | | Insulation - Blower Door | 68-101576-02 | 68-101576-02 | 68-101576-02 | 68-101576-03 |
| 5 | | Access Panel | AE-101133-31 | AE-101133-31 | AE-101133-31 | AE-101133-31 |
| | | Insulation - Access Panel | 68-101644-01 | 68-101644-01 | 68-101644-01 | 68-101644-01 |
| | | Poron Gasket (Blower & Coil Doors) | 68-42246-03 | 68-42246-03 | 68-42246-03 | 68-42246-03 |
| 6 | | Drain Pan - Vertical | See RCH Coil Parts List | | | |
| 7 | | Drain Pan - Horizontal | See RCH Coil Parts List | | | |
| 8 | | Plate - Block Off | AE-100455-01 | AE-100455-01 | AE-100455-01 | AE-100455-01 |
| 9 | | Cabinet Brace | AE-101134-03 | AE-101134-03 | AE-101134-03 | AE-101134-04 |
| 10 | | Middle Brace | AE-101054-02 | AE-101054-02 | AE-101054-02 | AE-101054-03 |
| 13a | | Heat Barrier | AE-100683-05 | AE-100683-06 | AE-100683-06 | AE-100683-08 |
| 13b | | Heat Barrier Side (2) | AE-104241-01 | AE-104241-01 | AE-104241-01 | AE-104241-01 |
| | | Duct Flanges (2) | AE-101048-07 | AE-101048-07 | AE-101048-07 | AE-101048-07 |
| | | Touch-up Paint - Granite/Steel/Warm Dark Gray (Aerosol) | PD523018 | PD523018 | PD523018 | PD523018 |
| | | Touch-up Paint - Granite/Steel/Warm Dark Gray (Paint Pens) | PD523019 | PD523019 | PD523019 | PD523019 |

| No. | Notes | MODEL | RH2T | RH2T | RH2T | |
|---|-------|--|-------------------------|--------------|--------------|--|
| | | CAPACITY | 24 | 24 | 48 | |
| | | CABINET SIZE | 17 | 17 | 21 | |
| | | COIL SIZE/METERING | ST | ST | MT | |
| | | MAJOR SERIES/CONTROLS | AC | AN | AN | |
| | | VOLTAGE/MINOR SERIES | JA | JA | JA | |
| PANELS, SHEET METAL, MISCELLANEOUS | | | | | | |
| 1 | | Cabinet | N/A | N/A | N/A | |
| | | Insulation - Cabinet | 68-101121-01 | 68-101121-01 | 68-101121-03 | |
| | | Insulation Retainer Rod (2) | 45-102868-02 | 45-102868-02 | 45-102868-03 | |
| 2 | | Coil Door | AE-100685-32 | AE-100685-32 | AE-100685-37 | |
| | | Insulation - Coil Door | 68-101577-06 | 68-101577-06 | 68-101577-10 | |
| 3 | | Top Cover Plate | AE-100686-31 | AE-100686-31 | AE-100686-32 | |
| | | Insulation - Top Cover Plate | 68-101122-01 | 68-101122-01 | 68-101122-02 | |
| 4 | | Blower Door | AE-100684-31 | AE-100684-31 | AE-100684-32 | |
| | | Insulation - Blower Door | 68-101576-01 | 68-101576-01 | 68-101576-02 | |
| 5 | | Access Panel | AE-101133-31 | AE-101133-31 | AE-101133-31 | |
| | | Insulation - Access Panel | 68-101644-01 | 68-101644-01 | 68-101644-01 | |
| | | Poron Gasket (Blower & Coil Doors) | 68-42246-03 | 68-42246-03 | 68-42246-03 | |
| 6 | | Drain Pan - Vertical | See RCH Coil Parts List | | | |
| 7 | | Drain Pan - Horizontal | See RCH Coil Parts List | | | |
| 8 | | Plate - Block Off | AE-100455-01 | AE-100455-01 | AE-100455-01 | |
| 9 | | Cabinet Brace | AE-101134-02 | AE-101134-02 | AE-101134-03 | |
| 10 | | Middle Brace | AE-101054-01 | AE-101054-01 | AE-101054-02 | |
| 13a | | Heat Barrier | AE-100683-03 | AE-100683-03 | AE-100683-06 | |
| 13b | | Heat Barrier Side (2) | AE-104241-01 | AE-104241-01 | AE-104241-01 | |
| | | Duct Flanges (2) | AE-101048-07 | AE-101048-07 | AE-101048-07 | |
| | | Touch-up Paint - Granite/Steel/Warm Dark Gray (Aerosol) | PD523018 | PD523018 | PD523018 | |
| | | Touch-up Paint - Granite/Steel/Warm Dark Gray (Paint Pens) | PD523019 | PD523019 | PD523019 | |

| No. | Notes | MODEL | RH2T | RH2T | RH2T |
|---|-------|--|-------------------------|--------------|--------------|
| | | CAPACITY | 24 | 36 | 60 |
| | | CABINET SIZE | 17 | 17 | 21 |
| | | COIL SIZE/METERING | SE | SE | SE |
| | | MAJOR SERIES/CONTROLS | AC | AC | AC |
| | | VOLTAGE/MINOR SERIES | JA | JA | JA |
| PANELS, SHEET METAL, MISCELLANEOUS | | | | | |
| 1 | | Cabinet | N/A | N/A | N/A |
| | | Insulation - Cabinet | 68-101121-01 | 68-101121-01 | 68-101121-15 |
| | | Insulation Retainer Rod (2) | 45-102868-02 | 45-102868-02 | 45-102868-03 |
| 2 | | Coil Door | AE-100685-32 | AE-100685-32 | AE-100685-37 |
| | | Insulation - Coil Door | 68-101577-06 | 68-101577-06 | 68-101577-10 |
| 3 | | Top Cover Plate | AE-100686-31 | AE-100686-31 | AE-100686-32 |
| | | Insulation - Top Cover Plate | 68-101122-01 | 68-101122-01 | 68-101122-02 |
| 4 | | Blower Door | AE-100684-31 | AE-100684-31 | AE-100684-32 |
| | | Insulation - Blower Door | 68-101576-01 | 68-101576-01 | 68-101576-02 |
| 5 | | Access Panel | AE-101133-31 | AE-101133-31 | AE-101133-31 |
| | | Insulation - Access Panel | 68-101644-01 | 68-101644-01 | 68-101644-01 |
| | | Poron Gasket (Blower & Coil Doors) | 68-42246-03 | 68-42246-03 | 68-42246-03 |
| 6 | | Drain Pan - Vertical | See RCH Coil Parts List | | |
| 7 | | Drain Pan - Horizontal | See RCH Coil Parts List | | |
| 8 | | Plate - Block Off | AE-100455-01 | AE-100455-01 | AE-100455-01 |
| 9 | | Cabinet Brace | AE-101134-02 | AE-101134-02 | AE-101134-03 |
| 10 | | Middle Brace | AE-101054-01 | AE-101054-01 | AE-101054-02 |
| 13a | | Heat Barrier | AE-100683-03 | AE-100683-03 | AE-100683-06 |
| 13b | | Heat Barrier Side (2) | AE-104241-01 | AE-104241-01 | AE-104241-01 |
| | | Duct Flanges (2) | AE-101048-07 | AE-101048-07 | AE-101048-07 |
| | | Touch-up Paint - Granite/Steel Gray (Aerosol) | PD523018 | PD523018 | PD523018 |
| | | Touch-up Paint - Granite/Steel Gray (Paint Pens) | PD523019 | PD523019 | PD523019 |

| No. | Notes | MODEL | RH2T | RH2T | RH2T | RH2T |
|------------------|-------|---|--------------|--------------|--------------|--------------|
| | | CAPACITY | 24 | 36 | 48 | 60 |
| | | CABINET SIZE | 21 | 21 | 24 | 24 |
| | | COIL SIZE/METERING | MT | MT | MT | ST |
| | | MAJOR SERIES/CONTROLS | AN | AN | AN | AN |
| | | VOLTAGE/MINOR SERIES | JA | JA | JA | JA |
| ELECTRICAL GROUP | | | | | | |
| 17 | Stk | Transformer | 46-101905-01 | 46-101905-01 | 46-101905-01 | 46-101905-01 |
| 18 | Stk | Control Board (Blower Assembly) | 47-102077-05 | 47-102077-05 | 47-102077-05 | 47-102077-05 |
| | | Wiring Harness - 6 Pin Molex to 6 stripped wires (For T-Stat) | 45-101891-06 | 45-101891-06 | 45-101891-06 | 45-101891-06 |
| | | Wiring Harness - 1 strip lead and 1 connector to single connector (Control Transformer to Blower Motor to Terminal Block - Black Wires) | 45-24258-18 | 45-24258-18 | 45-24258-18 | 45-24258-18 |
| | | Wiring Harness - 1 strip lead and 1 connector to single connector (Control Transformer to Blower Motor and Terminal Block) | 45-24258-22 | 45-24258-22 | 45-24258-22 | 45-24258-22 |
| 11 | | Terminal Block | 45-23222-02 | 45-23222-02 | 45-23222-02 | 45-23222-02 |

| No. | Notes | MODEL | RH2T | RH2T | RH2T | RH2T |
|------------------|-------|---|---------------|---------------|---------------|---------------|
| | | CAPACITY | 24 | 36 | 48 | 60 |
| | | CABINET SIZE | 21 | 21 | 21 | 24 |
| | | COIL SIZE/METERING | MT | MT | MT | MT |
| | | MAJOR SERIES/CONTROLS | AC | AC | AC | AC |
| | | VOLTAGE/MINOR SERIES | JA | JA | JA | JA |
| ELECTRICAL GROUP | | | | | | |
| 17 | Stk | Transformer | 46-101905-01 | 46-101905-01 | 46-101905-01 | 46-101905-01 |
| 18 | Stk | Control Board (Blower Assembly) | 47-105415-01 | 47-105415-01 | 47-105415-01 | 47-105415-01 |
| | | Memory Card (EEPROM) | 47-102738-142 | 47-102738-143 | 47-102738-144 | 47-102738-145 |
| | | Wiring Harness - 9 Pin Molex to 9 stripped wires (For T-Stat) | 45-101891-02 | 45-101891-02 | 45-101891-02 | 45-101891-02 |
| | | Wiring Harness - 1 strip lead and 1 connector to single connector (Control Transformer to Blower Motor to Terminal Block - Black Wires) | 45-24258-18 | 45-24258-18 | 45-24258-18 | 45-24258-18 |
| | | Wiring Harness - 1 strip lead and 1 connector to single connector (Control Transformer to Blower Motor and Terminal Block) | 45-24258-22 | 45-24258-22 | 45-24258-22 | 45-24258-22 |
| 11 | | Terminal Block | 45-23222-02 | 45-23222-02 | 45-23222-02 | 45-23222-02 |
| | | Wiring Harness - 7 Pin Molex to 7 stripped wires (Communication) | 45-101891-07 | 45-101891-07 | 45-101891-07 | 45-101891-07 |
| | | Push Mount Tie (for Memory Card Wire Tie) | 64-102873-01 | 64-102873-01 | 64-102873-01 | 64-102873-01 |

| No. | Notes | MODEL | RH2T | RH2T | RH2T | |
|------------------|-------|---|---------------|--------------|--------------|--|
| | | CAPACITY | 24 | 24 | 48 | |
| | | CABINET SIZE | 17 | 17 | 21 | |
| | | COIL SIZE/METERING | ST | ST | MT | |
| | | MAJOR SERIES/CONTROLS | AC | AN | AN | |
| | | VOLTAGE/MINOR SERIES | JA | JA | JA | |
| ELECTRICAL GROUP | | | | | | |
| 17 | Stk | Transformer | 46-101905-01 | 46-101905-01 | 46-101905-01 | |
| 18 | Stk | Control Board (Blower Assembly) | 47-105415-02 | 47-100436-02 | 47-100436-02 | |
| | | Memory Card (EEPROM) | 47-102738-143 | N/A | N/A | |
| | | Wiring Harness - 9 Pin Molex to 9 stripped wires (For T-Stat) | 45-101891-02 | N/A | N/A | |
| | | Wiring Harness - 6 Pin Molex to 6 stripped wires (For T-Stat) | N/A | 45-101891-06 | 45-101891-06 | |
| | | Wiring Harness - 1 strip lead and 1 connector to single connector (Control Transformer to Blower Motor to Terminal Block - Black Wires) | 45-24258-18 | 45-24258-18 | 45-24258-18 | |
| | | Wiring Harness - 1 strip lead and 1 connector to single connector (Control Transformer to Blower Motor and Terminal Block) | 45-24258-22 | 45-24258-22 | 45-24258-22 | |
| 11 | | Terminal Block | 45-23222-02 | 45-23222-02 | 45-23222-02 | |
| | | Wiring Harness - 7 Pin Molex to 7 stripped wires (Communication) | 45-101891-07 | N/A | N/A | |
| | | Push Mount Tie (for Memory Card Wire Tie) | 64-102873-01 | N/A | N/A | |

| No. | Notes | MODEL | RH2T | RH2T | RH2T | RH2T |
|-------------------------|-------|---|--------------|--------------|--------------|--------------|
| | | CAPACITY | 24 | 36 | 48 | 60 |
| | | CABINET SIZE | 21 | 21 | 21 | 24 |
| | | COIL SIZE/METERING | ME | ME | ME | ME |
| | | MAJOR SERIES/CONTROLS | AC | AC | AC | AC |
| | | VOLTAGE/MINOR SERIES | JA | JA | JA | JA |
| ELECTRICAL GROUP | | | | | | |
| 17 | Stk | Transformer | 46-101905-01 | 46-101905-01 | 46-101905-01 | 46-101905-01 |
| 18 | Stk | Control Board (Blower Assembly) | 47-105415-01 | 47-105415-01 | 47-105415-01 | 47-105415-01 |
| | | Memory Card (EEPROM) | 47-102738-55 | 47-102738-56 | 47-102738-57 | 47-102738-58 |
| | | Wiring Harness - 9 Pin Molex to 9 stripped wires (For T-Stat) | 45-101891-02 | 45-101891-02 | 45-101891-02 | 45-101891-02 |
| | | Wiring Harness - 1 strip lead and 1 connector to single connector (Control Transformer to Blower Motor to Terminal Block - Black Wires) | 45-24258-18 | 45-24258-18 | 45-24258-18 | 45-24258-18 |
| | | Wiring Harness - 1 strip lead and 1 connector to single connector (Control Transformer to Blower Motor and Terminal Block) | 45-24258-22 | 45-24258-22 | 45-24258-22 | 45-24258-22 |
| 11 | | Terminal Block | 45-23222-02 | 45-23222-02 | 45-23222-02 | 45-23222-02 |
| | | Wiring Harness - Pressure Transducer | 45-104130-03 | 45-104130-03 | 45-104130-03 | 45-104130-03 |
| | | Wiring Harness - 7 Pin Molex to 7 stripped wires (Communication) | 45-101891-07 | 45-101891-07 | 45-101891-07 | 45-101891-07 |
| | | Sensor/Clip Assembly (Thermistor) | 47-102710-16 | 47-102710-16 | 47-102710-16 | 47-102710-16 |
| | | Push Mount Tie (for Memory Card Wire Tie) | 64-102873-01 | 64-102873-01 | 64-102873-01 | 64-102873-01 |

| No. | Notes | MODEL | RH2T | RH2T | RH2T | |
|-------------------------|-------|---|--------------|--------------|--------------|--|
| | | CAPACITY | 24 | 36 | 60 | |
| | | CABINET SIZE | 17 | 17 | 21 | |
| | | COIL SIZE/METERING | SE | SE | SE | |
| | | MAJOR SERIES/CONTROLS | AC | AC | AC | |
| | | VOLTAGE/MINOR SERIES | JA | JA | JA | |
| ELECTRICAL GROUP | | | | | | |
| 17 | Stk | Transformer | 46-101905-01 | 46-101905-01 | 46-101905-01 | |
| 18 | Stk | Control Board (Blower Assembly) | 47-105415-01 | 47-105415-01 | 47-105415-01 | |
| | | Memory Card (EEPROM) | 47-102738-59 | 47-102738-60 | 47-102738-61 | |
| | | Wiring Harness - 9 Pin Molex to 9 stripped wires (For T-Stat) | 45-101891-02 | 45-101891-02 | 45-101891-02 | |
| | | Wiring Harness - 1 strip lead and 1 connector to single connector (Control Transformer to Blower Motor to Terminal Block - Black Wires) | 45-24258-18 | 45-24258-18 | 45-24258-18 | |
| | | Wiring Harness - 1 strip lead and 1 connector to single connector (Control Transformer to Blower Motor and Terminal Block) | 45-24258-22 | 45-24258-22 | 45-24258-22 | |
| 11 | | Terminal Block | 45-23222-02 | 45-23222-02 | 45-23222-02 | |
| | | Wiring Harness - Pressure Transducer | 45-104130-03 | 45-104130-03 | 45-104130-03 | |
| | | Wiring Harness - 7 Pin Molex to 7 stripped wires (Communication) | 45-101891-07 | 45-101891-07 | 45-101891-07 | |
| | | Sensor/Clip Assembly (Thermistor) | 47-102710-16 | 47-102710-16 | 47-102710-16 | |
| | | Push Mount Tie (for Memory Card Wire Tie) | 64-102873-01 | 64-102873-01 | 64-102873-01 | |

| No. | Notes | MODEL | RH2T | RH2T | RH2T | RH2T | RH2T |
|---------------------|-------|--|----------------------|--------------|--------------|--------------|--------------|
| | | CAPACITY | 24 | 36 | 48 | 48 | 60 |
| | | CABINET SIZE | 21 | 21 | 21 | 24 | 24 |
| | | COIL SIZE/METERING | MT | MT | MT | MT | ST |
| | | MAJOR SERIES/CONTROLS | AN | AN | AN | AN | AN |
| | | VOLTAGE/MINOR SERIES | JA | JA | JA | JA | JA |
| BLOWER GROUP | | | | | | | |
| 15 | Stk | Blower Assembly (Includes items 16-22) | AS-101886-07 | AS-101886-08 | AS-101886-42 | AS-101886-09 | AS-101886-10 |
| 16 | | Mounting Bracket - Control Board | AE-101049-01 | AE-101049-01 | AE-101049-01 | AE-101049-01 | AE-101049-01 |
| 17 | | Transformer | See Electrical Group | | | | |
| 18 | | Control Board | See Electrical Group | | | | |
| 19 | | Blower Housing w/Wheel | 70-101729-02 | 70-101729-08 | 70-101729-08 | 70-101729-04 | 70-101729-04 |
| | Stk | Blower Wheel | 703014 | 703023 | 703023 | 703015 | 703015 |
| 20 | | Motor Mount - Band | 70-19927-04 | 70-19927-04 | 70-19927-04 | 70-19927-04 | 70-19927-04 |
| 21 | | Motor Mount - Arm (4) | 70-19929-10 | 70-19929-10 | 70-19929-10 | 70-19929-10 | 70-19929-10 |
| 22 | Stk | Blower Motor | 51-104358-08 | 51-104360-22 | 51-104360-31 | 51-104360-23 | 51-104360-24 |
| 23 | | Mounting Bracket Cover | AE-101797-01 | AE-101797-01 | AE-101797-01 | AE-101797-01 | AE-101797-01 |

| No. | Notes | MODEL | RH2T | RH2T | RH2T | | RH2T |
|---------------------|-------|--|----------------------|--------------|--------------|--|--------------|
| | | CAPACITY | 24 | 36 | 48 | | 60 |
| | | CABINET SIZE | 21 | 21 | 21 | | 24 |
| | | COIL SIZE/METERING | MT | MT | MT | | MT |
| | | MAJOR SERIES/CONTROLS | AC | AC | AC | | AC |
| | | VOLTAGE/MINOR SERIES | JA | JA | JA | | JA |
| BLOWER GROUP | | | | | | | |
| 15 | Stk | Blower Assembly (Includes items 16-22) | AS-101886-30 | AS-101886-31 | AS-101886-19 | | AS-101886-33 |
| 16 | | Mounting Bracket - Control Board | AE-101049-01 | AE-101049-01 | AE-101049-01 | | AE-101049-01 |
| 17 | | Transformer | See Electrical Group | | | | |
| 18 | | Control Board | See Electrical Group | | | | |
| 19 | | Blower Housing w/Wheel | 70-101729-02 | 70-101729-08 | 70-101729-08 | | 70-101729-04 |
| | Stk | Blower Wheel | 703014 | 703023 | 703023 | | 703015 |
| 20 | | Motor Mount - Band | 70-19927-04 | 70-19927-04 | 70-19927-04 | | 70-19927-04 |
| 21 | | Motor Mount - Arm (4) | 70-19929-10 | 70-19929-10 | 70-19929-10 | | 70-19929-10 |
| 22 | Stk | Blower Motor | 51-104358-08 | 51-104360-22 | 51-104360-34 | | 51-104360-35 |
| 23 | | Mounting Bracket Cover | AE-101797-01 | AE-101797-01 | AE-101797-01 | | AE-101797-01 |

| No. | Notes | MODEL | RH2T | RH2T | RH2T | | RH2T |
|---------------------|-------|--|----------------------|--------------|--------------|--|--------------|
| | | CAPACITY | 24 | 36 | 48 | | 60 |
| | | CABINET SIZE | 21 | 21 | 21 | | 24 |
| | | COIL SIZE/METERING | ME | ME | ME | | ME |
| | | MAJOR SERIES/CONTROLS | AC | AC | AC | | AC |
| | | VOLTAGE/MINOR SERIES | JA | JA | JA | | JA |
| BLOWER GROUP | | | | | | | |
| 15 | Stk | Blower Assembly (Includes items 16-22) | AS-101886-17 | AS-101886-18 | AS-101886-19 | | AS-101886-20 |
| 16 | | Mounting Bracket - Control Board | AE-101049-01 | AE-101049-01 | AE-101049-01 | | AE-101049-01 |
| 17 | | Transformer | See Electrical Group | | | | |
| 18 | | Control Board | See Electrical Group | | | | |
| 19 | | Blower Housing w/Wheel | 70-101729-02 | 70-101729-08 | 70-101729-08 | | 70-101729-04 |
| | Stk | Blower Wheel | 703014 | 703023 | 703023 | | 703015 |
| 20 | | Motor Mount - Band | 70-19927-04 | 70-19927-04 | 70-19927-04 | | 70-19927-04 |
| 21 | | Motor Mount - Arm (4) | 70-19929-10 | 70-19929-10 | 70-19929-10 | | 70-19929-10 |
| 22 | Stk | Blower Motor | 51-104358-20 | 51-104360-33 | 51-104360-34 | | 51-104360-35 |
| 23 | | Mounting Bracket Cover | AE-101797-01 | AE-101797-01 | AE-101797-01 | | AE-101797-01 |

| No. | Notes | MODEL | RH2T | RH2T | RH2T | RH2T | RH2T |
|---------------------|-------|--|----------------------|--------------|--------------|--------------|--------------|
| | | CAPACITY | 24 | 24 | 24 | 36 | 60 |
| | | CABINET SIZE | 17 | 17 | 17 | 17 | 21 |
| | | COIL SIZE/METERING | SE | ST | ST | SE | SE |
| | | MAJOR SERIES/CONTROLS | AC | AC | AN | AC | AC |
| | | VOLTAGE/MINOR SERIES | JA | JA | JA | JA | JA |
| BLOWER GROUP | | | | | | | |
| 15 | Stk | Blower Assembly (Includes items 16-22) | AS-101886-21 | AS-101886-40 | AS-101886-41 | AS-101886-22 | AS-101886-23 |
| 16 | | Mounting Bracket - Control Board | AE-101049-01 | AE-101049-01 | AE-101049-01 | AE-101049-01 | AE-101049-01 |
| 17 | | Transformer | See Electrical Group | | | | |
| 18 | | Control Board | See Electrical Group | | | | |
| 19 | | Blower Housing w/Wheel | 70-101729-02 | 70-101729-02 | 70-101729-02 | 70-101729-02 | 70-101729-08 |
| | Stk | Blower Wheel | 703014 | 703014 | 703014 | 703014 | 703023 |
| 20 | | Motor Mount - Band | 70-19927-04 | 70-19927-04 | 70-19927-04 | 70-19927-04 | 70-19927-04 |
| 21 | | Motor Mount - Arm (4) | 70-19929-10 | 70-19929-10 | 70-19929-10 | 70-19929-10 | 70-19929-10 |
| 22 | Stk | Blower Motor | 51-101879-01 | 51-104358-01 | 51-104358-09 | 51-104359-01 | 51-104360-36 |
| 23 | | Mounting Bracket Cover | AE-101797-01 | AE-101797-01 | AE-101797-01 | AE-101797-01 | AE-101797-01 |

| No. | Notes | MODEL | RH2T | RH2T | RH2T | RH2T |
|-------------------|-------|------------------------|-----------------------------------|----------------|----------------|----------------|
| | | CAPACITY | 24 | 36 | 48 | 60 |
| | | CABINET SIZE | 21 | 21 | 24 | 24 |
| | | COIL SIZE/METERING | MTAN | MTAN | MTAN | STAN |
| COIL GROUP | | | | | | |
| 12 | | Replacement Coil w/TXV | RCH-2421HTAVUA | RCH-3621MTAVUA | RCH-4824HTAVUA | RCH-6024STAVUA |
| | | Horizontal Adapter Kit | See specified RCH Coil Parts List | | | |
| | | Drain Pan - Vertical | See specified RCH Coil Parts List | | | |
| | | TXV | See specified RCH Coil Parts List | | | |

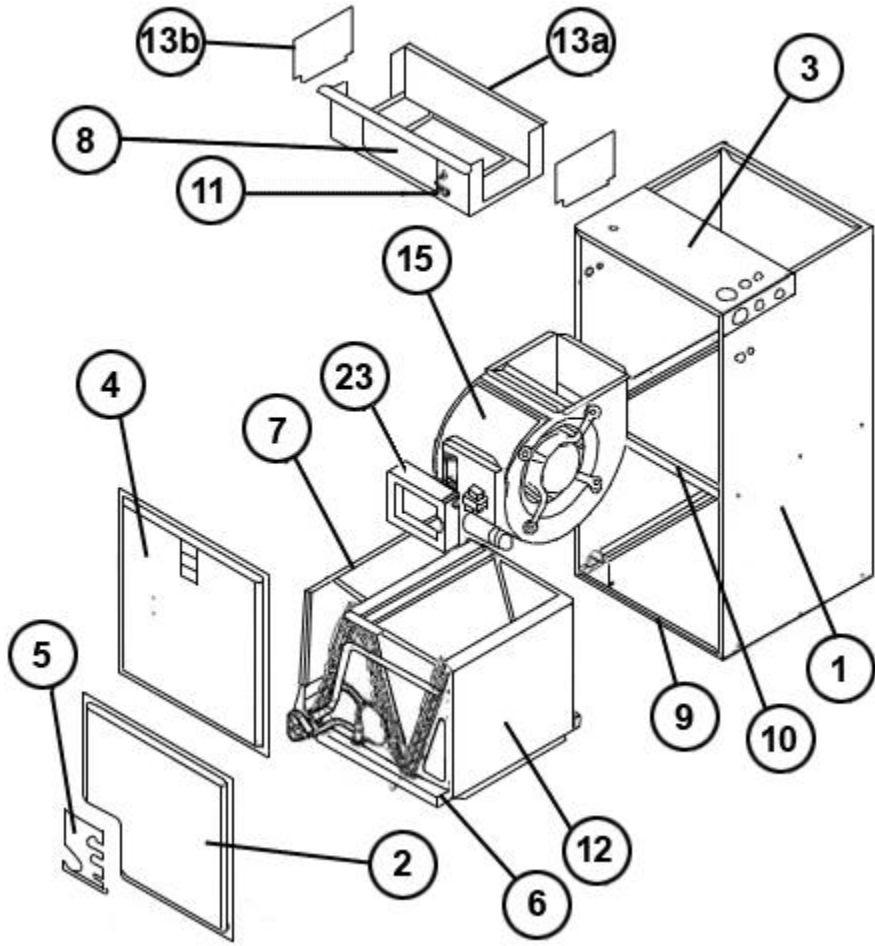
| No. | Notes | MODEL | RH2T | RH2T | RH2T | RH2T |
|-------------------|-------|------------------------|-----------------------------------|----------------|----------------|----------------|
| | | CAPACITY | 24 | 36 | 48 | 60 |
| | | CABINET SIZE | 21 | 21 | 21 | 24 |
| | | COIL SIZE/METERING | MTAC | MTAC | MTAC/MTAN | MTAC |
| COIL GROUP | | | | | | |
| 12 | | Replacement Coil w/TXV | RCH-2421HTAMUA | RCH-3621MTAMUA | RCH-4821MTAMUA | RCH-6024HTAMUA |
| | | Horizontal Adapter Kit | See specified RCH Coil Parts List | | | |
| | | Drain Pan - Vertical | See specified RCH Coil Parts List | | | |
| | | TXV | See specified RCH Coil Parts List | | | |

| No. | Notes | MODEL | RH2T | RH2T | RH2T | RH2T |
|-------------------|-------|------------------------|-----------------------------------|----------------|----------------|----------------|
| | | CAPACITY | 24 | 36 | 48 | 60 |
| | | CABINET SIZE | 21 | 21 | 21 | 24 |
| | | COIL SIZE/METERING | MEAC | MEAC | MEAC | MEAC |
| COIL GROUP | | | | | | |
| 12 | | Replacement Coil w/TXV | RCH-2421MEAVUA | RCH-3621MEAVUA | RCH-6021SEAVUA | RCH-6024MEAVUA |
| | | Horizontal Adapter Kit | See specified RCH Coil Parts List | | | |
| | | Drain Pan - Vertical | See specified RCH Coil Parts List | | | |
| | | TXV | See specified RCH Coil Parts List | | | |

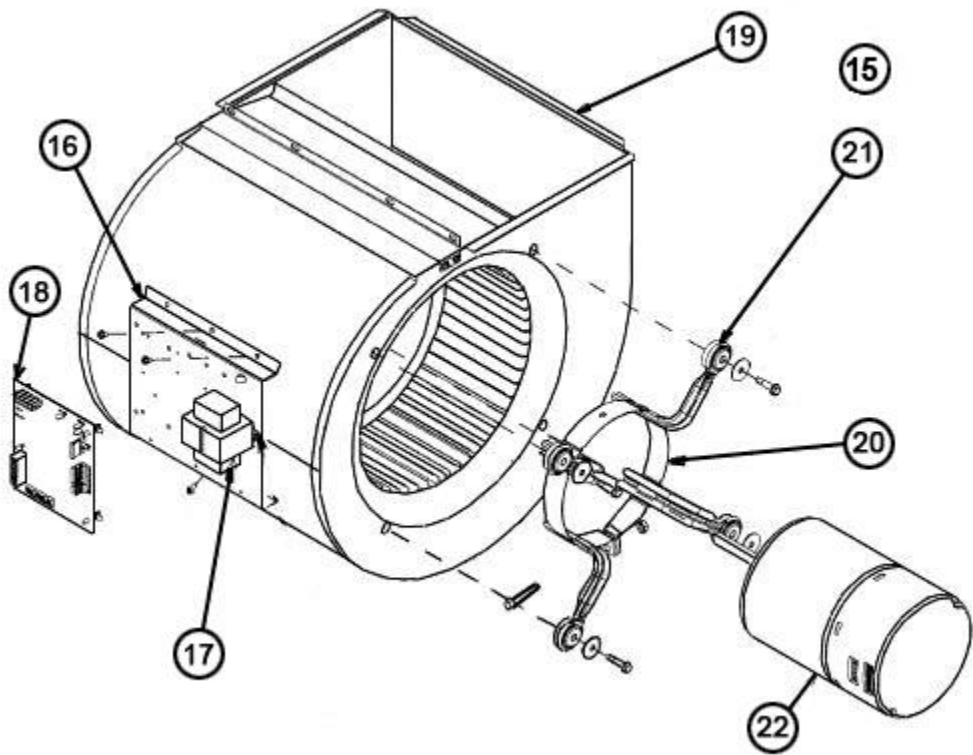
| No. | Notes | MODEL | RH2T | RH2T | RH2T | RH2T |
|-------------------|-------|------------------------|-----------------------------------|----------------|----------------|----------------|
| | | CAPACITY | 24 | 24 | 36 | 60 |
| | | CABINET SIZE | 17 | 17 | 17 | 21 |
| | | COIL SIZE/METERING | ST | SEAC | SEAC | SEAC |
| COIL GROUP | | | | | | |
| 12 | | Replacement Coil w/TXV | RCH-2417STAMUA | RCH-2417SEAVUA | RCH-3617SEAVUA | RCH-6021SEAVUA |
| | | Horizontal Adapter Kit | See specified RCH Coil Parts List | | | |
| | | Drain Pan - Vertical | See specified RCH Coil Parts List | | | |
| | | TXV | See specified RCH Coil Parts List | | | |

| No. | Notes | MODEL CAPACITY CABINET SIZE COIL SIZE/METERING | RH2T | RH2T | RH2T | RH2T |
|--------------------|-------|---|---|---|---|---|
| | | | 24 21/17 MT/ME/ST | 36 21 MT/ME | 48 24/21 MT/ME | 60 24 ST/ME/MT |
| HEATER KITS | | | | | | |
| | | Heater Kit - 3kW/208-240/1 | RXBH-17A03J RXBH-17B03J RXBH-17C03J | N/A | N/A | N/A |
| | | Heater Kit - 5kW/208-240/1 | RXBH-1724A05J RXBH-1724B05J RXBH-1724C05J | RXBH-1724A05J RXBH-1724B05J RXBH-1724C05J | RXBH-1724A05J RXBH-1724B05J RXBH-1724C05J | RXBH-1724A05J RXBH-1724B05J RXBH-1724C05J |
| | | Heater Kit - 7kW/208-240/1 | RXBH-1724A07J RXBH-1724B07J RXBH-1724C07J | RXBH-1724A07J RXBH-1724B07J RXBH-1724C07J | RXBH-1724A07J RXBH-1724B07J RXBH-1724C07J | RXBH-1724A07J RXBH-1724B07J RXBH-1724C07J |
| | | Heater Kit - 10kW/208-240/1 | RXBH-1724A10J RXBH-1724B10J RXBH-1724C10J | RXBH-1724A10J RXBH-1724B10J RXBH-1724C10J | RXBH-1724A10J RXBH-1724B10J RXBH-1724C10J | RXBH-1724A10J RXBH-1724B10J RXBH-1724C10J |
| | | Heater Kit - 13kW/208-240/1 | RXBH-1724A13J | N/A | N/A | N/A |
| | | Heater Kit - 15kW/208-240/1 | RXBH-1724A15J | RXBH-1724A15J | RXBH-1724A15J | RXBH-1724A15J |
| | | Heater Kit - 18kW/208-240/1 | RXBH-1724A18J | RXBH-1724A18J | RXBH-1724A18J | RXBH-1724A18J |
| | | Heater Kit - 20kW/208-240/1 | N/A | N/A | RXBH-24A20J | RXBH-24A20J |
| | | Heater Kit - 25kW/208-240/1 | N/A | N/A | RXBH-24A25J | RXBH-24A25J |
| | | Heater Kit - 30kW/208-240/1 | N/A | N/A | N/A | RXBH-24A30J |
| | | Heater Kit - 7kW/208-240/3 | RXBH-1724A07C | RXBH-1724A07C | RXBH-1724A07C | RXBH-1724A07C |
| | | Heater Kit - 10kW/208-240/3 | RXBH-1724A10C | RXBH-1724A10C | RXBH-1724A10C | RXBH-1724A10C |
| | | Heater Kit - 13kW/208-240/3 | RXBH-1724A13C | N/A | N/A | N/A |
| | | Heater Kit - 15kW/208-240/3 | N/A | RXBH-1724A15C | RXBH-1724A15C | RXBH-1724A15C |
| | | Heater Kit - 18kW/208-240/3 | N/A | RXBH-1724A18C | RXBH-1724A18C | RXBH-1724A18C |
| | | Heater Kit - 20kW/208-240/3 | N/A | N/A | RXBH-24A20C | RXBH-24A20C |
| | | Heater Kit - 25kW/208-240/3 | N/A | N/A | RXBH-24A25C | RXBH-24A25C |
| | | Heater Kit - 30kW/208-240/3 | N/A | N/A | N/A | RXBH-24A30C |

| No. | Notes | MODEL CAPACITY CABINET SIZE COIL SIZE/METERING | RH2T | RH2T | RH2T | |
|--------------------|-------|---|---|---|---|--|
| | | | 24 17 SEAC | 36 17 SEAC | 60 21 SEAC | |
| HEATER KITS | | | | | | |
| | | Heater Kit - 3kW/208-240/1 | RXBH-17A03J RXBH-17B03J RXBH-17C03J | RXBH-17A03J RXBH-17B03J RXBH-17C03J | N/A | |
| | | Heater Kit - 5kW/208-240/1 | RXBH-1724A05J RXBH-1724B05J RXBH-1724C05J | RXBH-1724A05J RXBH-1724B05J RXBH-1724C05J | RXBH-1724A05J RXBH-1724B05J RXBH-1724C05J | |
| | | Heater Kit - 7kW/208-240/1 | RXBH-1724A07J RXBH-1724B07J RXBH-1724C07J | RXBH-1724A07J RXBH-1724B07J RXBH-1724C07J | RXBH-1724A07J RXBH-1724B07J RXBH-1724C07J | |
| | | Heater Kit - 10kW/208-240/1 | RXBH-1724A10J RXBH-1724B10J RXBH-1724C10J | RXBH-1724A10J RXBH-1724B10J RXBH-1724C10J | RXBH-1724A10J RXBH-1724B10J RXBH-1724C10J | |
| | | Heater Kit - 13kW/208-240/1 | RXBH-1724A13J | RXBH-1724A13J | N/A | |
| | | Heater Kit - 15kW/208-240/1 | RXBH-1724A15J | RXBH-1724A15J | RXBH-1724A15J | |
| | | Heater Kit - 18kW/208-240/1 | RXBH-1724A18J | RXBH-1724A18J | RXBH-1724A18J | |
| | | Heater Kit - 20kW/208-240/1 | N/A | N/A | RXBH-24A20J | |
| | | Heater Kit - 25kW/208-240/1 | N/A | N/A | RXBH-24A25J | |
| | | Heater Kit - 7kW/208-240/3 | RXBH-1724A07C | RXBH-1724A07C | RXBH-1724A07C | |
| | | Heater Kit - 10kW/208-240/3 | RXBH-1724A10C | RXBH-1724A10C | RXBH-1724A10C | |
| | | Heater Kit - 13kW/208-240/3 | RXBH-1724A13C | RXBH-1724A13C | N/A | |
| | | Heater Kit - 15kW/208-240/3 | RXBH-1724A15C | RXBH-1724A15C | RXBH-1724A15C | |
| | | Heater Kit - 18kW/208-240/3 | RXBH-1724A18C | RXBH-1724A18C | RXBH-1724A18C | |
| | | Heater Kit - 20kW/208-240/3 | N/A | N/A | RXBH-24A20C | |
| | | Heater Kit - 25kW/208-240/3 | N/A | N/A | RXBH-24A25C | |



Exploded View



Blower Assembly

NOTES

Stk It is recommended that stock be maintained for this part.
N/A Not Applicable

DISCLAIMER: This document is intended to provide general replacement parts information to aid qualified service personnel in the repair of these models. The complete Model and Serial Number of the unit under repair should be specified when selecting and ordering replacement parts. Specifications and illustrations are subject to change without notice. Document 92-42800-RH2T supersedes all previous parts lists for these models. See <http://www.rheempartslists.net/92-42800-RH2T> for the latest revision of this document. The manufacturer assumes no obligation for errors or omissions. Service personnel must verify the proper and safe operation of equipment after the replacement of any original components.