



RH1P

Parts List
20-December-2019



*This parts list is current as of the above revision date.
See <http://www.rheempartslists.net/92-42800-RH1P.pdf> for the current revision.*

Air Handlers

Table of Contents

Model Explanation	Page 3
Parts Numbers	
Panels - Miscellaneous (1)	Page 4
Panels - Miscellaneous (2)	Page 5
Electrical Group (1)	Page 6
Electrical Group (2)	Page 7
Electrical Group_Z (2)	Page 8
Blower Group (1)	Page 9
Blower Group (2)	Page 10
Coil Parts	Page 11
Heater Kits	Page 11
Drawings/Photographs	
Exploded View	Page 12
Blower Assembly	Page 13
Notes/Disclaimer	Page 14

MODEL NUMBER EXPLANATION

R	H	1	P	2	4	1	7	S	T	A	N	A	A	***
1	2	3	4	5		6		7	8	9	10	11	12	13

- | | |
|--|--|
| <p>(1) BRAND</p> <p>(2) AIR HANDLER</p> <p>(3) STAGE OF AIRFLOW
1 = Single</p> <p>(4) MOTOR TYPE
P = PSC</p> <p>(5) CAPACITY (BTU/HR)
18 = 18,000 BTU/HR
24 = 24,000 BTU/HR
30 = 30,000 BTU/HR
36 = 36,000 BTU/HR
42 = 42,000 BTU/HR
48 = 48,000 BTU/HR
60 = 60,000 BTU/HR</p> <p>(6) WIDTH
17 = 17.5 in. (600 - 1200 CFM)
21 = 21 in. (800 - 1600 CFM)
24 = 24.5 in. (1400 - 1800 CFM)</p> <p>(7) COIL SIZE
S = Standard
M = Medium
H = High</p> | <p>(8) METERING DEVICE
T = TEV
E = EEV
P = Piston</p> <p>(9) MAJOR SERIES
A = First</p> <p>(10) CONTROLS
C = Communicating
N = Non-Communicating</p> <p>(11) VOLTAGE
A = 115/1/60
D = 460/3/60
J = 208-230/1/60
T = 220-240/1/50</p> <p>(12) MINOR SERIES
A = First</p> <p>(13) OPTION CODE
Blank = None</p> |
|--|--|

SERIAL NUMBER EXPLANATION

W	0	7	0	9	9	9	9	9	9
1	2	3	4						

- 1 PRODUCTION LOCATION**
W = Nuevo Laredo (West)
- 2 WEEK OF PRODUCTION**
- 3 YEAR OF PRODUCTION**
- 4 PRODUCTION NUMBER**

No.	Notes	MODEL	RH1P	RH1P	RH1P	RH1P	RH1P	RH1P
		CAPACITY	18	18	24	24	30	30
		CABINET SIZE	17	17	17	17	17	17
		COIL SIZE/METERING	ST	ST	ST	ST	ST	ST
		MAJOR SERIES/CONTROLS	AN	AN	AN	AN	AN	AN
		VOLTAGE/MINOR SERIES	AA	JA	AA	JA	AA	JA
PANELS, SHEET METAL, MISCELLANEOUS								
1		Cabinet	N/A	N/A	N/A	N/A	N/A	N/A
		Insulation - Cabinet	68-101121-01	68-101121-01	68-101121-01	68-101121-01	68-101121-01	68-101121-01
		Insulation Retainer Rod (2)	45-102868-02	45-102868-02	45-102868-02	45-102868-02	45-102868-02	45-102868-02
2		Coil Door	AE-100685-32	AE-100685-32	AE-100685-32	AE-100685-32	AE-100685-32	AE-100685-32
		Insulation - Coil Door	68-101577-06	68-101577-06	68-101577-06	68-101577-06	68-101577-06	68-101577-06
3		Top Cover Plate	AE-100686-31	AE-100686-31	AE-100686-31	AE-100686-31	AE-100686-31	AE-100686-31
		Insulation - Top Cover Plate	68-101122-01	68-101122-01	68-101122-01	68-101122-01	68-101122-01	68-101122-01
4		Blower Door	AE-100684-31	AE-100684-31	AE-100684-31	AE-100684-31	AE-100684-31	AE-100684-31
		Insulation - Blower Door	68-101576-01	68-101576-01	68-101576-01	68-101576-01	68-101576-01	68-101576-01
5		Access Panel	AE-101133-31	AE-101133-31	AE-101133-31	AE-101133-31	AE-101133-31	AE-101133-31
		Insulation - Access Panel	68-101644-01	68-101644-01	68-101644-01	68-101644-01	68-101644-01	68-101644-01
		Poron Gasket (for Door Panels)	68-42246-03	68-42246-03	68-42246-03	68-42246-03	68-42246-03	68-42246-03
6		Drain Pan - Vertical	See RCH Coil Parts List					
7		Drain Pan - Horizontal	See RCH Coil Parts List					
8		Plate - Block Off	AE-100455-01	AE-100455-01	AE-100455-01	AE-100455-01	AE-100455-01	AE-100455-01
9		Cabinet Brace	AE-101134-02	AE-101134-02	AE-101134-02	AE-101134-02	AE-101134-02	AE-101134-02
10		Middle Brace	AE-101054-01	AE-101054-01	AE-101054-01	AE-101054-01	AE-101054-01	AE-101054-01
13a		Heat Barrier	AE-100683-02	AE-100683-02	AE-100683-02	AE-100683-02	AE-100683-03	AE-100683-03
13b		Heat Barrier Side (2)	AE-104241-01	AE-104241-01	AE-104241-01	AE-104241-01	AE-104241-01	AE-104241-01
		Insulation Retainer Rod (2)	45-102868-02	45-102868-02	45-102868-02	45-102868-02	45-102868-02	45-102868-02
		Duct Flanges (2)	AE-101048-07	AE-101048-07	AE-101048-07	AE-101048-07	AE-101048-07	AE-101048-07
		Touch-up Paint - Granite/Steel Gray (Aerosol)	PD523018	PD523018	PD523018	PD523018	PD523018	PD523018
		Touch-up Paint - Granite/Steel Gray (Paint Pens)	PD523019	PD523019	PD523019	PD523019	PD523019	PD523019

No.	Notes	MODEL	RH1P	RH1P	RH1P	RH1P	RH1P	RH1P
		CAPACITY	36	36	36	36	42	42
		CABINET SIZE	17	17	17	21	21	21
		COIL SIZE/METERING	ST	ST	ST	ST	ST	ST
		MAJOR SERIES/CONTROLS	AN	AN	AN	AN	AN	AN
		VOLTAGE/MINOR SERIES	AA	DA	JA	JA	AA	DA
PANELS, SHEET METAL, MISCELLANEOUS								
1		Cabinet	N/A	N/A	N/A	N/A	N/A	N/A
		Insulation - Cabinet	68-101121-01	68-101121-01	68-101121-01	68-101121-02	68-101121-03	68-101121-03
		Insulation Retainer Rod (2)	45-102868-02	45-102868-02	45-102868-02	45-102868-03	45-102868-03	45-102868-03
2		Coil Door	AE-100685-32	AE-100685-32	AE-100685-32	AE-100685-33	AE-100685-34	AE-100685-34
		Insulation - Coil Door	68-101577-06	68-101577-06	68-101577-06	68-101577-07	68-101577-08	68-101577-08
3		Top Cover Plate	AE-100686-31	AE-100686-31	AE-100686-31	AE-100686-32	AE-100686-32	AE-100686-32
		Insulation - Top Cover Plate	68-101122-01	68-101122-01	68-101122-01	68-101122-02	68-101122-02	68-101122-02
4		Blower Door	AE-100684-31	AE-100684-31	AE-100684-31	AE-100684-32	AE-100684-32	AE-100684-32
		Insulation - Blower Door	68-101576-01	68-101576-01	68-101576-01	68-101576-02	68-101576-02	68-101576-02
5		Access Panel	AE-101133-31	AE-101133-31	AE-101133-31	AE-101133-31	AE-101133-31	AE-101133-31
		Insulation - Access Panel	68-101644-01	68-101644-01	68-101644-01	68-101644-01	68-101644-01	68-101644-01
		Poron Gasket (for Door Panels)	68-42246-03	68-42246-03	68-42246-03	68-42246-03	68-42246-03	68-42246-03
6		Drain Pan - Vertical	See RCH Coil Parts List					
7		Drain Pan - Horizontal	See RCH Coil Parts List					
8		Plate - Block Off	AE-100455-01	AE-100455-01	AE-100455-01	AE-100455-01	AE-100455-01	AE-100455-01
9		Cabinet Brace	AE-101134-02	AE-101134-02	AE-101134-02	AE-101134-03	AE-101134-03	AE-101134-03
10		Middle Brace	AE-101054-01	AE-101054-01	AE-101054-01	AE-101054-02	AE-101054-02	AE-101054-02
13a		Heat Barrier	AE-100683-03	AE-100683-03	AE-100683-03	AE-100683-05	AE-100683-06	AE-100683-06
13b		Heat Barrier Side (2)	AE-104241-01	AE-104241-01	AE-104241-01	AE-104241-01	AE-104241-01	AE-104241-01
		Insulation Retainer Rod (2)	45-102868-02	45-102868-02	45-102868-02	45-102868-03	45-102868-03	45-102868-03
		Duct Flanges (2)	AE-101048-07	AE-101048-07	AE-101048-07	AE-101048-07	AE-101048-07	AE-101048-07
		Touch-up Paint - Granite/Steel Gray (Aerosol)	PD523018	PD523018	PD523018	PD523018	PD523018	PD523018
		Touch-up Paint - Granite/Steel Gray (Paint Pens)	PD523019	PD523019	PD523019	PD523019	PD523019	PD523019

No.	Notes	MODEL	RH1P	RH1P	RH1P	RH1P	RH1P	RH1P
		CAPACITY	42	48	48	48	48	48
		CABINET SIZE	21	21	21	21	24	24
		COIL SIZE/METERING	ST	ST	ST	ST	ST	ST
		MAJOR SERIES/CONTROLS	AN	AN	AN	AN	AN	AN
		VOLTAGE/MINOR SERIES	JA	AA	DA	JA	DA	JA
PANELS, SHEET METAL, MISCELLANEOUS								
1		Cabinet	N/A	N/A	N/A	N/A	N/A	N/A
		Insulation - Cabinet	68-101121-03	68-101121-03	68-101121-03	68-101121-03	68-101121-04	68-101121-04
		Insulation Retainer Rod (2)	45-102868-03	45-102868-03	45-102868-03	45-102868-03	45-102868-04	45-102868-04
2		Coil Door	AE-100685-34	AE-100685-34	AE-100685-34	AE-100685-34	AE-100685-36	AE-100685-36
		Insulation - Coil Door	68-101577-08	68-101577-08	68-101577-08	68-101577-08	68-101577-09	68-101577-09
3		Top Cover Plate	AE-100686-32	AE-100686-32	AE-100686-32	AE-100686-32	AE-100686-33	AE-100686-33
		Insulation - Top Cover Plate	68-101122-02	68-101122-02	68-101122-02	68-101122-02	68-101122-03	68-101122-03
4		Blower Door	AE-100684-32	AE-100684-32	AE-100684-32	AE-100684-32	AE-100684-33	AE-100684-33
		Insulation - Blower Door	68-101576-02	68-101576-02	68-101576-02	68-101576-02	68-101576-03	68-101576-03
5		Access Panel	AE-101133-31	AE-101133-31	AE-101133-31	AE-101133-31	AE-101133-31	AE-101133-31
		Insulation - Access Panel	68-101644-01	68-101644-01	68-101644-01	68-101644-01	68-101644-01	68-101644-01
		Poron Gasket (for Door Panels)	68-42246-03	68-42246-03	68-42246-03	68-42246-03	68-42246-03	68-42246-03
6		Drain Pan - Vertical	See RCH Coil Parts List					
7		Drain Pan - Horizontal	See RCH Coil Parts List					
8		Plate - Block Off	AE-100455-01	AE-100455-01	AE-100455-01	AE-100455-01	AE-100455-01	AE-100455-01
9		Cabinet Brace	AE-101134-03	AE-101134-03	AE-101134-03	AE-101134-03	AE-101134-04	AE-101134-04
10		Middle Brace	AE-101054-02	AE-101054-02	AE-101054-02	AE-101054-02	AE-101054-03	AE-101054-03
13a		Heat Barrier	AE-100683-06	AE-100683-06	AE-100683-06	AE-100683-06	AE-100683-07	AE-100683-07
13b		Heat Barrier Side (2)	AE-104241-01	AE-104241-01	AE-104241-01	AE-104241-01	AE-104241-01	AE-104241-01
		Insulation Retainer Rod (2)	45-102868-03	45-102868-03	45-102868-03	45-102868-03	45-102868-04	45-102868-04
		Duct Flanges (2)	AE-101048-07	AE-101048-07	AE-101048-07	AE-101048-07	AE-101048-07	AE-101048-07
		Touch-up Paint - Granite/Steel Gray (Aerosol)	PD523018	PD523018	PD523018	PD523018	PD523018	PD523018
		Touch-up Paint - Granite/Steel Gray (Paint Pens)	PD523019	PD523019	PD523019	PD523019	PD523019	PD523019

No.	Notes	MODEL	RH1P	RH1P				
		CAPACITY	60	60				
		CABINET SIZE	24	24				
		COIL SIZE/METERING	ST	ST				
		MAJOR SERIES/CONTROLS	AN	AN				
		VOLTAGE/MINOR SERIES	DA	JA				
PANELS, SHEET METAL, MISCELLANEOUS								
1		Cabinet	N/A	N/A				
		Insulation - Cabinet	68-101121-04	68-101121-04				
		Insulation Retainer Rod (2)	45-102868-04	45-102868-04				
2		Coil Door	AE-100685-36	AE-100685-36				
		Insulation - Coil Door	68-101577-09	68-101577-09				
3		Top Cover Plate	AE-100686-33	AE-100686-33				
		Insulation - Top Cover Plate	68-101122-03	68-101122-03				
4		Blower Door	AE-100684-33	AE-100684-33				
		Insulation - Blower Door	68-101576-03	68-101576-03				
5		Access Panel	AE-101133-31	AE-101133-31				
		Poron Gasket (for Door Panels)	68-42246-03	68-42246-03				
		Insulation - Access Panel	68-101644-01	68-101644-01				
6		Drain Pan - Vertical	See RCH Coil Parts List					
7		Drain Pan - Horizontal	See RCH Coil Parts List					
8		Plate - Block Off	AE-100455-01	AE-100455-01				
9		Cabinet Brace	AE-101134-04	AE-101134-04				
10		Middle Brace	AE-101054-03	AE-101054-03				
13a		Heat Barrier	AE-100683-08	AE-100683-08				
13b		Heat Barrier Side (2)	AE-104241-01	AE-104241-01				
		Insulation Retainer Rod (2)	45-102868-04	45-102868-04				
		Duct Flanges (2)	AE-101048-07	AE-101048-07				
		Touch-up Paint - Granite/Steel Gray (Aerosol)	PD523018	PD523018				
		Touch-up Paint - Granite/Steel Gray (Paint Pens)	PD523019	PD523019				

No.	Notes	MODEL	RH1P	RH1P	RH1P	RH1P	RH1P	RH1P
		CAPACITY	18	18	24	24	30	30
		CABINET SIZE	17	17	17	17	17	17
		COIL SIZE/METERING	ST	ST	ST	ST	ST	ST
		MAJOR SERIES/CONTROLS	AN	AN	AN	AN	AN	AN
		VOLTAGE/MINOR SERIES	AA	JA	AA	JA	AA	JA
ELECTRICAL GROUP								
17	Stk	Transformer	46-101944-01	46-101905-01	46-101944-01	46-101905-01	46-101944-01	46-101905-01
18	Stk	Control Board	47-100436-05	47-100436-05	47-100436-05	47-100436-05	47-100436-05	47-100436-05
		Wiring Harness - 5 Pin Molex to 3 stripped wires (For T-Stat)	45-102645-02	N/A	45-102645-02	N/A	45-102645-02	N/A
		Wiring Harness - 5 Pin Molex to 5 stripped wires (For T-Stat)	N/A	45-102645-01	N/A	45-102645-01	N/A	45-102645-01
		Wiring Harness - 1 strip lead and 1 connector to single connector (Control Transformer to Blower Relay to Terminal Block)	45-24258-17	45-24258-17	45-24258-17	45-24258-17	45-24258-17	45-24258-17
		Wiring Harness - 1 strip lead and 1 connector to single connector (Control Transformer to Blower Motor and Terminal Block)	45-24258-23	45-24258-21	45-24258-23	45-24258-21	45-24258-23	45-24258-21
11		Terminal Block	45-23222-02	45-23222-02	45-23222-02	45-23222-02	45-23222-02	45-23222-02

No.	Notes	MODEL	RH1P	RH1P	RH1P	RH1P	RH1P	RH1P
		CAPACITY	36	36	36	36	42	42
		CABINET SIZE	17	17	17	21	21	21
		COIL SIZE/METERING	ST	ST	ST	ST	ST	ST
		MAJOR SERIES/CONTROLS	AN	AN	AN	AN	AN	AN
		VOLTAGE/MINOR SERIES	AA	DA	JA	JA	AA	DA
ELECTRICAL GROUP								
17	Stk	Transformer	46-101944-01	46-101946-01	46-101905-01	46-101905-01	46-101944-01	46-101946-01
18	Stk	Control Board	47-100436-05	47-100436-05	47-100436-05	47-100436-05	47-100436-05	47-100436-05
		Wiring Harness - 5 Pin Molex to 3 stripped wires (For T-Stat)	45-102645-02	N/A	N/A	N/A	45-102645-02	N/A
		Wiring Harness - 5 Pin Molex to 5 stripped wires (For T-Stat)	N/A	45-102645-01	45-102645-01	45-102645-01	N/A	45-102645-01
		Wiring Harness - 1 strip lead and 1 connector to single connector (Control Transformer to Blower Relay to Terminal Block)	45-24258-17	45-24258-17	45-24258-17	45-24258-17	45-24258-17	45-24258-17
		Wiring Harness - 1 strip lead and 1 connector to single connector (Control Transformer to Blower Motor and Terminal Block)	45-24258-23	45-24258-21	45-24258-21	45-24258-21	45-24258-23	45-24258-21
11		Terminal Block	45-23222-02	45-23222-02	45-23222-02	45-23222-02	45-23222-02	45-23222-02

No.	Notes	MODEL	RH1P	RH1P	RH1P	RH1P	RH1P	RH1P
		CAPACITY	42	48	48	48	48	48
		CABINET SIZE	21	21	21	21	24	24
		COIL SIZE/METERING	ST	ST	ST	ST	ST	ST
		MAJOR SERIES/CONTROLS	AN	AN	AN	AN	AN	AN
		VOLTAGE/MINOR SERIES	JA	AA	DA	JA	DA	JA
ELECTRICAL GROUP								
17	Stk	Transformer	46-101905-01	46-101944-01	46-101946-01	46-101905-01	46-101946-01	46-101905-01
18	Stk	Control Board	47-100436-05	47-100436-05	47-100436-05	47-100436-05	47-100436-05	47-100436-05
		Wiring Harness - 5 Pin Molex to 3 stripped wires (For T-Stat)	N/A	45-102645-02	N/A	N/A	N/A	N/A
		Wiring Harness - 5 Pin Molex to 5 stripped wires (For T-Stat)	45-102645-01	N/A	45-102645-01	45-102645-01	45-102645-01	45-102645-01
		Wiring Harness - 1 strip lead and 1 connector to single connector (Control Transformer to Blower Relay to Terminal Block)	45-24258-17	45-24258-17	45-24258-17	45-24258-17	45-24258-17	45-24258-17
		Wiring Harness - 1 strip lead and 1 connector to single connector (Control Transformer to Blower Motor and Terminal Block)	45-24258-21	45-24258-23	45-24258-21	45-24258-21	45-24258-21	45-24258-21
11		Terminal Block	45-23222-02	45-23222-02	45-23222-02	45-23222-02	45-23222-02	45-23222-02

No.	Notes	MODEL	RH1P	RH1P				
		CAPACITY	60	60				
		CABINET SIZE	24	24				
		COIL SIZE/METERING	ST	ST				
		MAJOR SERIES/CONTROLS	AN	AN				
		VOLTAGE/MINOR SERIES	DA	JA				
ELECTRICAL GROUP								
17	Stk	Transformer	46-101946-01	46-101905-01				
18	Stk	Control Board	47-100436-05	47-100436-05				
		Wiring Harness - 5 Pin Molex to 3 stripped wires (For T-Stat)	N/A	N/A				
		Wiring Harness - 5 Pin Molex to 5 stripped wires (For T-Stat)	45-102645-01	45-102645-01				
		Wiring Harness - 1 strip lead and 1 connector to single connector (Control Transformer to Blower Relay to Terminal Block)	45-24258-17	45-24258-17				
		Wiring Harness - 1 strip lead and 1 connector to single connector (Control Transformer to Blower Motor and Terminal Block)	45-24258-21	45-24258-21				
11		Terminal Block	45-23222-02	45-23222-02				

No.	Notes	MODEL	RH1P	RH1P	RH1P		RH1P	RH1P
		CAPACITY	48	48	48		48	48
		CABINET SIZE	21	21	21		24	24
		COIL SIZE/METERING	ST	ST	ST		ST	ST
		MAJOR SERIES/CONTROLS	AN	AN	AN		AN	AN
		VOLTAGE/MINOR SERIES	AA	DA	JA		DA	JA
ELECTRICAL GROUP								
17	Stk	Transformer	46-101944-01	46-101946-01	46-101905-01		46-101946-01	46-101905-01
18	Stk	Control Board	47-102077-04	47-100436-05	47-100436-05		47-100436-05	47-100436-05
		Wiring Harness - 5 Pin Molex to 3 stripped wires (For T-Stat)	45-102645-02	N/A	N/A		N/A	N/A
		Wiring Harness - 5 Pin Molex to 5 stripped wires (For T-Stat)	N/A	45-102645-01	45-102645-01		45-102645-01	45-102645-01
		Wiring Harness - 1 strip lead and 1 connector to single connector (Control Transformer to Blower Relay to Terminal Block)	45-24258-17	45-24258-17	45-24258-17		45-24258-17	45-24258-17
		Wiring Harness - 1 strip lead and 1 connector to single connector (Control Transformer to Blower Motor and Terminal Block)	45-24258-23	45-24258-21	45-24258-21		45-24258-21	45-24258-21
11		Terminal Block	45-23222-02	45-23222-02	45-23222-02		45-23222-02	45-23222-02

No.	Notes	MODEL					RH1P	RH1P
		CAPACITY					60	60
		CABINET SIZE					24	24
		COIL SIZE/METERING					ST	ST
		MAJOR SERIES/CONTROLS					AN	AN
		VOLTAGE/MINOR SERIES					DA	JA
ELECTRICAL GROUP								
17	Stk	Transformer					46-101946-01	46-101905-01
18	Stk	Control Board					47-100436-05	47-100436-05
		Wiring Harness - 5 Pin Molex to 3 stripped wires (For T-Stat)					N/A	N/A
		Wiring Harness - 5 Pin Molex to 5 stripped wires (For T-Stat)					45-102645-01	45-102645-01
		Wiring Harness - 1 strip lead and 1 connector to single connector (Control Transformer to Blower Relay to Terminal Block)					45-24258-17	45-24258-17
		Wiring Harness - 1 strip lead and 1 connector to single connector (Control Transformer to Blower Motor and Terminal Block)					45-24258-21	45-24258-21
11		Terminal Block					45-23222-02	45-23222-02

No.	Notes	MODEL	RH1P	RH1P	RH1P	RH1P	RH1P	RH1P
		CAPACITY	18	18	24	24	30	30
		CABINET SIZE	17	17	17	17	17	17
		COIL SIZE/METERING	ST	ST	ST	ST	ST	ST
		MAJOR SERIES/CONTROLS	AN	AN	AN	AN	AN	AN
		VOLTAGE/MINOR SERIES	AA	JA	AA	JA	AA	JA
BLOWER GROUP								
15	Stk	Blower Assembly (Includes items 16-22)	AS-101929-01	AS-101931-01	AS-101929-02	AS-101931-02	AS-101929-03	AS-101931-03
16		Mounting Bracket - Control Board	AE-101049-01	AE-101049-01	AE-101049-01	AE-101049-01	AE-101049-01	AE-101049-01
17		Transformer	See Electrical Group					
18		Control Board	See Electrical Group					
19		Blower Housing w/Wheel	70-101729-01	70-101729-01	70-101729-01	70-101729-01	70-101729-02	70-101729-02
	Stk	Blower Wheel	703012	703012	703012	703012	703014	703014
20		Motor Mount - Band	70-19927-04	70-19927-04	70-19927-04	70-19927-04	70-19927-04	70-19927-04
21		Motor Mount - Arm (4)	70-19929-10	70-19929-10	70-19929-10	70-19929-10	70-19929-10	70-19929-10 (See Note 1)
22	Stk	Blower Motor (PSC)	51-102175-01	51-102177-01	51-102175-02	51-101728-02	51-102175-03	51-102177-03
	Stk	Capacitor - Blower Motor	43-101666-55	43-101666-55	43-101666-58	43-101666-55	43-101666-56	43-101666-56
		Capacitor Strap	AE-50892-12	AE-50892-12	AE-50892-12	AE-50892-12	AE-50892-12	AE-50892-12
23		Mounting Bracket Cover	AE-101797-01	AE-101797-01	AE-101797-01	AE-101797-01	AE-101797-01	AE-101797-01

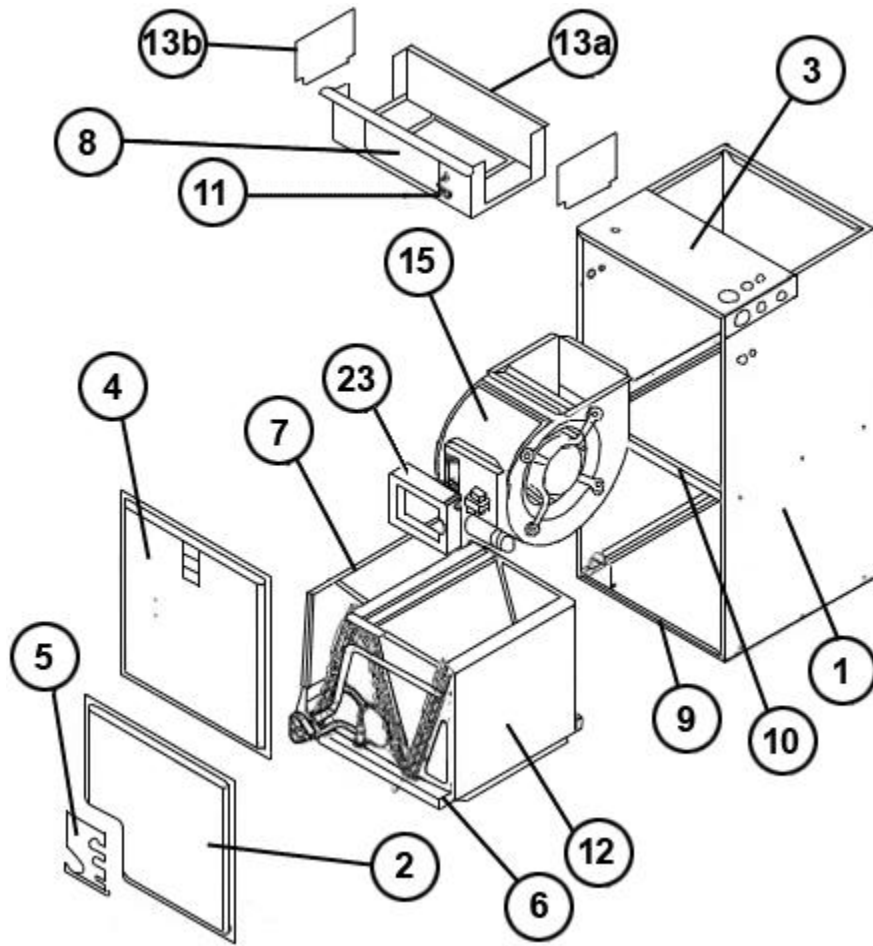
No.	Notes	MODEL	RH1P	RH1P	RH1P	RH1P	RH1P	RH1P
		CAPACITY	36	36	36	36	42	42
		CABINET SIZE	17	17	17	21	21	21
		COIL SIZE/METERING	ST	ST	ST	ST	ST	ST
		MAJOR SERIES/CONTROLS	AN	AN	AN	AN	AN	AN
		VOLTAGE/MINOR SERIES	AA	DA	JA	JA	AA	DA
BLOWER GROUP								
15	Stk	Blower Assembly (Includes items 16-22)	AS-101929-04	AS-101932-01	AS-101931-04	AS-101931-04	AS-101929-05	AS-101932-02
16		Mounting Bracket - Control Board	AE-101049-01	AE-101049-01	AE-101049-01	AE-101049-01	AE-101049-01	AE-101049-01
17		Transformer	See Electrical Group					
18		Control Board	See Electrical Group					
19		Blower Housing w/Wheel	70-101729-02	70-101729-02	70-101729-02	70-101729-02	70-101729-08	70-101729-08
	Stk	Blower Wheel	703014	703014	703014	703014	703023	703023
20		Motor Mount - Band	70-19927-04	70-19927-04	70-19927-04	70-19927-04	70-19927-04	70-19927-04
21		Motor Mount - Arm (4)	70-19929-10	70-19929-10	70-19929-10	70-19929-10	70-19929-10	70-19929-10
22	Stk	Blower Motor (PSC)	51-102175-04	51-102182-01	51-101728-04	51-101728-04	51-102175-05	51-102182-02
	Stk	Capacitor - Blower Motor	43-101666-43	43-101666-43	43-101666-43	43-101666-43	43-101666-57	43-101666-57
		Capacitor Strap	AE-50892-12	AE-50892-12	AE-50892-12	AE-50892-12	AE-50892-12	AE-50892-12
23		Mounting Bracket Cover	AE-101797-01	AE-101797-01	AE-101797-01	AE-101797-01	AE-101797-01	AE-101797-01

No.	Notes	MODEL	RH1P	RH1P	RH1P	RH1P	RH1P	RH1P
		CAPACITY	42	48	48	48	48	48
		CABINET SIZE	21	21	21	21	24	24
		COIL SIZE/METERING	ST	ST	ST	ST	ST	ST
		MAJOR SERIES/CONTROLS	AN	AN	AN	AN	AN	AN
		VOLTAGE/MINOR SERIES	JA	AA	DA	JA	DA	JA
BLOWER GROUP								
15	Stk	Blower Assembly (Includes items 16-22)	AS-101931-05	AS-101929-06	AS-101932-03	AS-101931-06	AS-101932-03	AS-101931-06
16		Mounting Bracket - Control Board	AE-101049-01	AE-101049-01	AE-101049-01	AE-101049-01	AE-101049-01	AE-101049-01
17		Transformer	See Electrical Group					
18		Control Board	See Electrical Group					
19		Blower Housing w/Wheel	70-101729-08	70-101729-08	70-101729-08	70-101729-08	70-101729-08	70-101729-08
	Stk	Blower Wheel	703023	703023	703023	703023	703023	703023
20		Motor Mount - Band	70-19927-04	70-19927-04	70-19927-04	70-19927-04	70-19927-04	70-19927-04
21		Motor Mount - Arm (4)	70-19929-10	70-19929-10	70-19929-10	70-19929-10	70-19929-10	70-19929-10
22	Stk	Blower Motor (PSC)	51-101728-05	51-102175-06	51-102182-03	51-101728-06	51-102182-03	51-101728-06
	Stk	Capacitor - Blower Motor	43-101666-57	43-101666-57	43-101666-57	43-101666-57	43-101666-57	43-101666-57
		Capacitor Strap	AE-50892-12	AE-50892-12	AE-50892-12	AE-50892-12	AE-50892-12	AE-50892-12
23		Mounting Bracket Cover	AE-101797-01	AE-101797-01	AE-101797-01	AE-101797-01	AE-101797-01	AE-101797-01

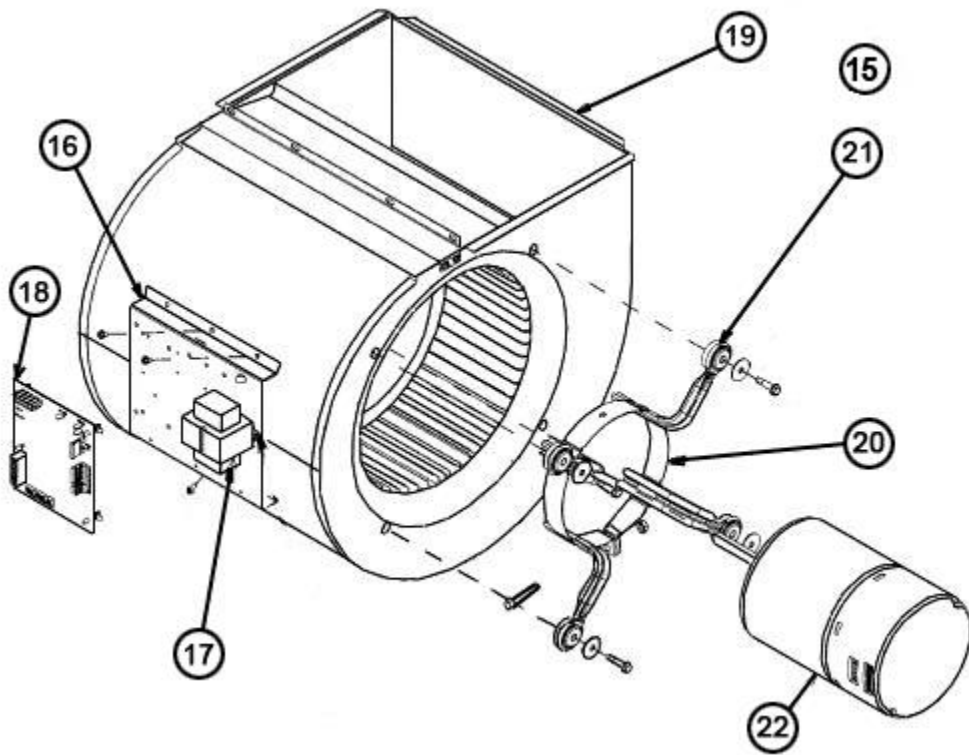
No.	Notes	MODEL	RH1P	RH1P				
		CAPACITY	60	60				
		CABINET SIZE	24	24				
		COIL SIZE/METERING	ST	ST				
		MAJOR SERIES/CONTROLS	AN	AN				
		VOLTAGE/MINOR SERIES	DA	JA				
BLOWER GROUP								
15	Stk	Blower Assembly (Includes items 16-22)	AS-101932-04	AS-101931-07				
16		Mounting Bracket - Control Board	AE-101049-01	AE-101049-01				
17		Transformer	See Electrical Group					
18		Control Board	See Electrical Group					
19		Blower Housing w/Wheel	70-101729-04	70-101729-04				
	Stk	Blower Wheel	703015	703015				
20		Motor Mount - Band	70-19927-04	70-19927-04				
21		Motor Mount - Arm (4)	70-19929-10	70-19929-10				
22	Stk	Blower Motor (PSC)	51-102182-04	51-101728-07				
	Stk	Capacitor - Blower Motor	43-101666-57	43-101666-57				
		Capacitor Strap	AE-50892-12	AE-50892-12				
23		Mounting Bracket Cover	AE-101797-01	AE-101797-01				

No.	Notes	MODEL	RH1P	RH1P	RH1P	RH1P	RH1P	RH1P
		CAPACITY	18/24	30/36	36	42/48	48	60
		CABINET SIZE	17	17	21	21	24	24
		COIL SIZE/METERING	ST	ST	ST	ST	ST	ST
COIL GROUP								
12		Replacement Coil w/TXV	RCH-2417STAVUA	RCH-3617STAVUA	RCH-3621STAVUA	RCH-4821STAVUA	RCH-4824STAVUA	RCH-6024STAVUA
		Horizontal Adapter Kit	See specified RCH Coil Parts List					
		Drain Pan - Vertical	See specified RCH Coil Parts List					
		TXV	See specified RCH Coil Parts List					

No.	Notes	MODEL	RH1P	RH1P	RH1P	RH1P	RH1P	RH1P
		CAPACITY	18/24	30/36	36	42/48	48	60
		CABINET SIZE	17	17	21	21	24	24
		COIL SIZE/METERING	ST	ST	ST	ST	ST	ST
HEATER KITS								
		Heater Kit - 3kW/208-240/1	RXBH-1724A03J RXBH-1724B03J RXBH-1724C03J	RXBH-1724A03J RXBH-1724B03J RXBH-1724C03J	N/A	N/A	N/A	N/A
		Heater Kit - 5kW/208-240/1	RXBH-1724A05J RXBH-1724B05J RXBH-1724C05J	RXBH-1724A05J RXBH-1724B05J RXBH-1724C05J	RXBH-1724A05J RXBH-1724B05J RXBH-1724C05J	RXBH-1724A05J RXBH-1724B05J RXBH-1724C05J	RXBH-1724A05J RXBH-1724B05J RXBH-1724C05J	RXBH-1724B05J RXBH-1724C05J
		Heater Kit - 7kW/208-240/1	RXBH-1724A07J RXBH-1724B07J RXBH-1724C07J	RXBH-1724A07J RXBH-1724B07J RXBH-1724C07J	RXBH-1724A07J RXBH-1724B07J RXBH-1724C07J	RXBH-1724A07J RXBH-1724B07J RXBH-1724C07J	RXBH-1724A07J RXBH-1724B07J RXBH-1724C07J	RXBH-1724A07J RXBH-1724B07J RXBH-1724C07J
		Heater Kit - 10kW/208-240/1	RXBH-1724A10J RXBH-1724B10J RXBH-1724C10J	RXBH-1724A10J RXBH-1724B10J RXBH-1724C10J	RXBH-1724A10J RXBH-1724B10J RXBH-1724C10J	RXBH-1724A10J RXBH-1724B10J RXBH-1724C10J	RXBH-1724A10J RXBH-1724B10J RXBH-1724C10J	RXBH-1724A10J RXBH-1724B10J RXBH-1724C10J
		Heater Kit - 13kW/208-240/1	RXBH-1724A13J	RXBH-1724A13J	N/A	N/A	N/A	N/A
		Heater Kit - 15kW/208-240/1	N/A	RXBH-1724A15J	RXBH-1724A15J	RXBH-1724A15J	RXBH-1724A15J	RXBH-1724A15J
		Heater Kit - 18kW/208-240/1	N/A	RXBH-1724A18J	RXBH-1724A18J	RXBH-1724A18J	RXBH-1724A18J	RXBH-1724A18J
		Heater Kit - 20kW/208-240/1	N/A	N/A	N/A	RXBH-24A20J	RXBH-24A20J	RXBH-24A20J
		Heater Kit - 25kW/208-240/1	N/A	N/A	N/A	RXBH-24A25J	RXBH-24A25J	RXBH-24A25J
		Heater Kit - 30kW/208-240/1	N/A	N/A	N/A	N/A	N/A	RXBH-24A30J
		Heater Kit - 7kW/208-240/3	RXBH-1724A07C	RXBH-1724A07C	RXBH-1724A07C	RXBH-1724A07C	RXBH-1724A07C	RXBH-1724A07C
		Heater Kit - 10kW/208-240/3	RXBH-1724A10C	RXBH-1724A10C	RXBH-1724A10C	RXBH-1724A10C	RXBH-1724A10C	RXBH-1724A10C
		Heater Kit - 13kW/208-240/3	RXBH-1724A13C	RXBH-1724A13C	N/A	N/A	N/A	N/A
		Heater Kit - 15kW/208-240/3	N/A	RXBH-1724A15C	RXBH-1724A15C	RXBH-1724A15C	RXBH-1724A15C	RXBH-1724A15C
		Heater Kit - 18kW/208-240/3	N/A	RXBH-1724A18C	RXBH-1724A18C	RXBH-1724A18C	RXBH-1724A18C	RXBH-1724A18C
		Heater Kit - 20kW/208-240/3	N/A	N/A	N/A	RXBH-24A20C	RXBH-24A20C	RXBH-24A20C
		Heater Kit - 25kW/208-240/3	N/A	N/A	N/A	RXBH-24A25C	RXBH-24A25C	RXBH-24A25C
		Heater Kit - 30kW/208-240/3	N/A	N/A	N/A	N/A	N/A	RXBH-24A30C
		Heater Kit - 20kW/480/3	N/A	N/A	N/A	RXBH-24A20D	RXBH-24A20D	RXBH-24A20D
		Heater Kit - 25kW/480/3	N/A	N/A	N/A	RXBH-24A25D	RXBH-24A25D	RXBH-24A25D
		Heater Kit - 30kW/480/3	N/A	N/A	N/A	N/A	N/A	RXBH-24A30D



Exploded View



Blower Assembly

NOTES

Stk It is recommended that stock be maintained for this part.

N/A Not Applicable

- 1 70-19929-12 may be used in lieu of 70-19929-10 to reduce resonance hum in blower assembly, when applicable.

DISCLAIMER: This document is intended to provide general replacement parts information to aid qualified service personnel in the repair of these models. The complete Model and Serial Number of the unit under repair should be specified when selecting and ordering replacement parts. Specifications and illustrations are subject to change without notice. Document 92-42800-RH1P supersedes all previous parts lists for these models. See <http://www.rheempartslists.net/92-42800-RH1P> for the latest revision of this document. The manufacturer assumes no obligation for errors or omissions. Service personnel must verify the proper and safe operation of equipment after the replacement of any original components.