



# RA20

Parts List  
18-June-2018



*This parts list is current as of the above revision date.  
See <http://www.rheempartslists.net/92-42800-RA20.pdf> for the current revision.*

Condensing Units

# Table of Contents

Model Explanation .....	Page 3
<b>Parts Numbers</b>	
Panels .....	Page 4
Electrical-Fan Group .....	Page 5
Coil Parts .....	Page 6
Compressor Group .....	Page 7
<b>Drawings/Photographs</b>	
Exploded View .....	Page 8
Control Box .....	Page 9
Valve Mounting, Compressor .....	Page 10
Notes/Disclaimer .....	Page 11

**MODEL NUMBER EXPLANATION**

<b>R</b>	<b>A</b>	<b>2</b>	<b>0</b>	<b>2</b>	<b>4</b>	<b>A</b>	<b>J</b>	<b>V</b>	<b>C</b>	<b>B</b>
1	2	3		4		5	6	7	8	9

- |  |   |
|--|---|
| <p>(1) <b>Brand</b><br/>R = Rheem<br/>U = Ruud</p> <p>(2) <b>Product Category</b><br/>A = Air Conditioner</p> <p>(3) <b>Seer</b><br/>20 = 20 SEER</p> <p>(4) <b>COOLING CAPACITY (BTU/HR)</b><br/>018 = 18,000<br/>024 = 24,000<br/>030 = 30,000<br/>036 = 36,000<br/>042 = 42,000<br/>048 = 48,000<br/>060 = 60,000</p> | <p>(5) <b>MAJOR SERIES</b><br/>A = First Design Series</p> <p>(6) <b>VOLTAGE</b><br/>J = 208-230/1/60<br/>C = 208-230/3/60<br/>D = 460/3/60<br/>Y = 575/3/60</p> <p>(7) <b>TYPE</b><br/>V = Inverter</p> <p>(8) <b>CONTROLS</b><br/>C = Communicating</p> <p>(9) <b>MINOR SERIES</b><br/>A = First Design Series<br/>B = Second Design Series (LPC/HPC)</p> |
|--|---|

**SERIAL NUMBER EXPLANATION**

<b>W</b>	<b>0</b>	<b>8</b>	<b>1</b>	<b>3</b>	<b>9</b>	<b>9</b>	<b>9</b>	<b>9</b>
(1)	(2)		(3)				(4)	

- (1) **PLANT CODE**  
W = West Nuevo Laredo
- (2) **WEEK OF PRODUCTION**
- (3) **YEAR OF PRODUCTION**
- (4) **PRODUCTION NUMBER**

**Note: For Compressor Identification Number, see Compressor Code on Rating Plate**

No.	Notes	MODEL COOLING CAPACITY VARIATION	RA20 24 AJVCB	RA20 36 AJVCB	RA20 48 AJVCB	RA20 60 AJVCB
<b>SHEET METAL PARTS, MISCELLANEOUS</b>						
1		Front Panel	AE-104456-28	AE-104456-28	AE-104456-49	AE-104456-49
2		Left Panel (Panel/Label/Badge Assembly)	68-105597-08	68-105597-08	68-105597-10	68-105597-10
		Badge	91-104924-05	91-104924-05	91-104924-05	91-104924-05
		Left Panel Louver Label	91-105328-03	91-105328-03	91-105328-04	91-105328-04
3		Back Panel	AE-104456-29	AE-104456-29	AE-104456-50	AE-104456-50
4		Right Panel	AE-104456-28	AE-104456-28	AE-104456-49	AE-104456-49
5		Base Pan	68-104457-02	68-104457-02	68-104457-03	68-104457-03
6		Control Box	10-105640-01	10-105640-01	10-105640-01	10-105640-01
7		Control Box Cover	AS-104462-02H	AS-104462-02H	AS-104462-02H	AS-104462-02H
8		Control Box Bracket	AS-104460-08H	AS-104460-08H	AS-104460-10H	AS-104460-10H
9		Service Door	AS-104525-01H	AS-104525-01H	AS-104525-01H	AS-104525-01H
10		Center Post (2)	AS-104459-09H	AS-104459-09H	AS-104459-13H	AS-104459-13H
11		Corner Post	AS-104469-05H (2)	AS-104469-05H (2)	AS-104469-07H (2)	AS-104469-07H (2)
12		Corner Post	AS-104469-05H (1)	AS-104469-05H (1)	AS-104469-07H (1)	AS-104469-07H (1)
13		Top Panel	AS-104458-02H	AS-104458-02H	AS-104458-03H	AS-104458-03H
14		Venturi	68-104464-06	68-104464-06	68-104464-07	68-104464-07
15		Grille	95-104620-02	95-104620-02	95-104620-04	95-104620-04
		Center Cap - Blank (for Grille)	91-101123-00	91-101123-00	91-106416-00	91-106416-00
		Center Cap Label w/Center Cap	91-101123-23	91-101123-23	91-106416-23	91-106416-23
		Service Valve - Suction	See Coil Group			
		Service Valve - Liquid	See Coil Group			
		Touch-up Paint - Granite/Steel Gray (Aerosol)	PD523018	PD523018	PD523018	PD523018
		Touch-up Paint - Granite/Steel Gray (Paint Pens)	PD523019	PD523019	PD523019	PD523019

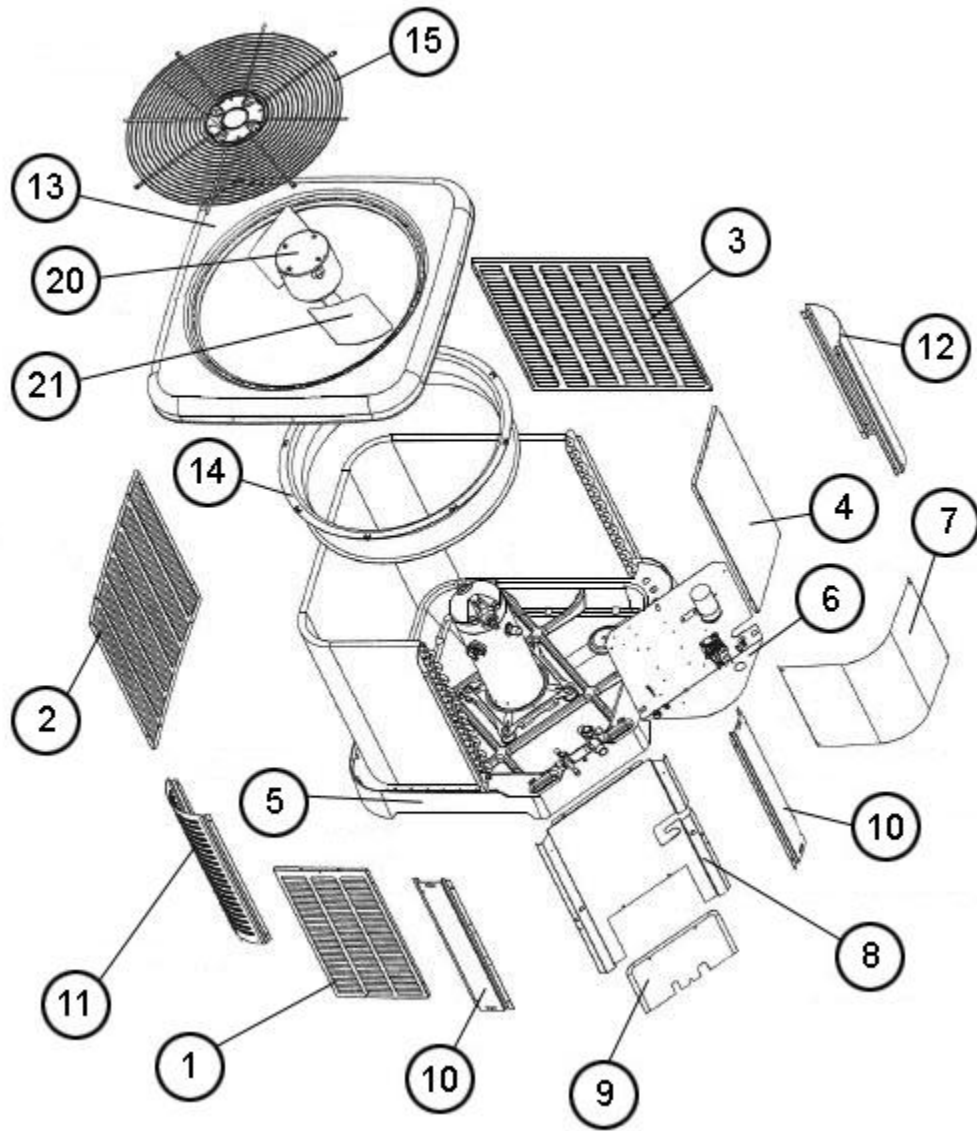
No.	Notes	MODEL COOLING CAPACITY VARIATION	RA20 24 AJVCB	RA20 36 AJVCB	RA20 48 AJVCB	RA20 60 AJVCB
<b>ELECTRICAL/FAN GROUP</b>						
20	Stk	Fan Motor	51-102870-05	51-102728-17	51-105035-01	51-105035-01
21	Stk	Fan Blade	70-102345-08	70-102345-08	70-102345-15	70-102345-15
22		Ground Lug	45-19000-05	45-19000-05	45-19000-05	45-19000-05
24a	Stk	Variable Speed Control Board - EcoNet	47-104848-01	47-104848-01	47-104848-01	47-104848-01
		Control - Identity EEPROM (before W5017)	47-102738-126	47-102738-127	47-102738-128	47-102738-129
		Control - Identity EEPROM (on or after W5017)	47-102738-159	47-102738-160	47-102738-161	47-102738-162
24b	Stk	EMI Filter Board	47-105222-01	47-105222-01	47-105222-01	47-105222-01
24c	Stk	Power Inverter Board	47-105221-02	47-105221-02	47-105221-03	47-105221-04
24d		Choke	46-105466-02	46-105466-02	46-105466-03	46-105466-03
24e		Terminal Block	45-23222-02	45-23222-02	45-23222-02	45-23222-02
24f		Locking Wing Push Mount Tie	64-25340-02	64-25340-02	64-25340-02	64-25340-02
24g		Universal Bushing	45-103252-02	45-103252-02	45-103252-02	45-103252-02
27	Stk	Low Pressure Transducer	47-103454-05	47-103454-05	47-103454-05	47-103454-05
27a		Valve Body - Low Pressure Control	61-18542-01	61-18542-01	61-18542-01	61-18542-01
28	Stk	High Pressure Control	47-103669-04	47-103669-04	47-103669-04	47-103669-04
		Discharge Sensor	47-102710-18	47-102710-18	47-102710-18	47-102710-18
		Thermistor/Clip Assembly (Compressor Sump Sensor)	47-102710-12	47-102710-12	47-102710-22	47-102710-22
		Thermistor/Clip Assembly - 2 Sensors (Coil Sensor)	47-102710-11	47-102710-11	47-102710-23	47-102710-23
		Ambient Thermistor	47-102709-06	47-102709-06	47-102709-06	47-102709-06
		Wire Harness - Control Board	45-104991-01	45-104991-01	45-104991-01	45-104991-01
		Wire Harness - Filter to Inverter	45-104991-03	45-104991-03	45-104991-03	45-104991-03
		Wire Harness - Terminal Block to Filter	45-104991-04	45-104991-04	45-104991-04	45-104991-04

No.	Notes	MODEL COOLING CAPACITY VARIATION	RA20 24 AJVCB	RA20 36 AJVCB
<b>COIL GROUP</b>				
30	Stk	Condenser Coil	AS-105647-03	AS-105655-03
31		Service Valve - Suction	61-104914-03	61-104914-03
32		Service Valve - Liquid	61-104914-05	61-104914-05
33a		Valve Core	61-18551-01	61-18551-01
33b		Valve Cap	83-100635-01	83-100635-01
27	Stk	Low Pressure Control	See Electrical Group	
28	Stk	High Pressure Control	See Electrical Group	
	Stk	Filter Drier	83-22755-06	83-22755-06

No.	Notes	MODEL COOLING CAPACITY VARIATION	RA20 48 AJVCB	RA20 60 AJVCB
<b>COIL GROUP</b>				
30	Stk	Condenser Coil	AS-105662-03	AS-105822-01
31		Service Valve - Suction	61-104914-04	61-104914-04
32		Service Valve - Liquid	61-104914-05	61-104914-05
33a		Valve Core	61-18551-01	61-18551-01
33b		Valve Cap	83-100635-01	83-100635-01
27	Stk	Low Pressure Control	See Electrical Group	
28	Stk	High Pressure Control	See Electrical Group	
	Stk	Filter Drier	83-22755-06	83-22755-06

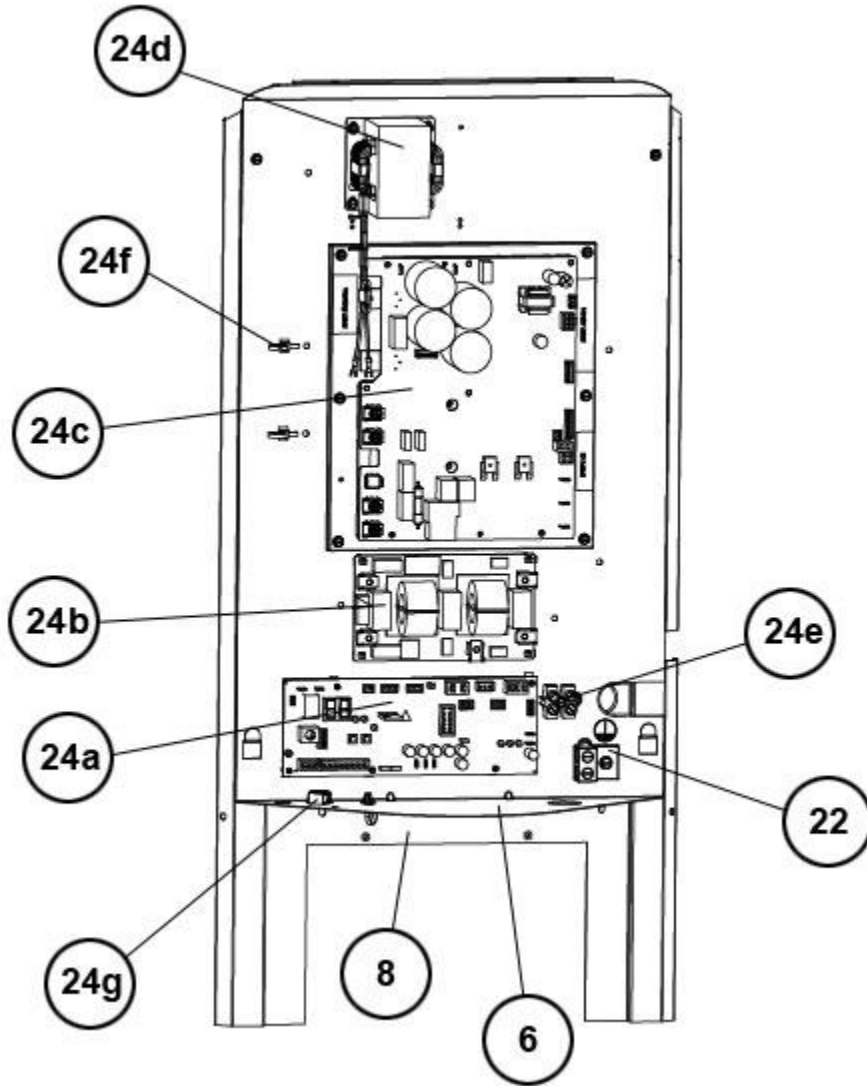
No.	Notes	MODEL COOLING CAPACITY VARIATION	RA20 24 AJVCB	RA20 36 AJVCB
<b>COMPRESSOR GROUP</b>				
		<b>Compressor ID:</b>	<b>9104</b>	<b>9105</b>
40	Stk	Compressor	55-102045-105S	55-102045-105S
		Compressor Grommet (4)	56-18518-19	56-18518-19
		Compressor Bolt (4)	63-20072-07	63-20072-07
		Compressor Plug Harness	45-100834-13	45-100834-13
		Filter Drier	See Coil Group	
		Sound Enclosure - Top	68-23427-18	68-23427-18

No.	Notes	MODEL COOLING CAPACITY VARIATION	RA20 48 AJVCB	RA20 60 AJVCB
<b>COMPRESSOR GROUP</b>				
		<b>Compressor ID:</b>	<b>9106</b>	<b>9107</b>
40	Stk	Compressor	55-102045-106S	55-102045-150
		Compressor Grommet (4)	56-18518-19	56-18518-19
		Compressor Bolt (4)	63-20072-07	63-20072-07
		Compressor Plug Harness	45-100834-12	45-100834-12
		Filter Drier	See Coil Group	
		Sound Enclosure - Top	68-23427-18	68-23427-18

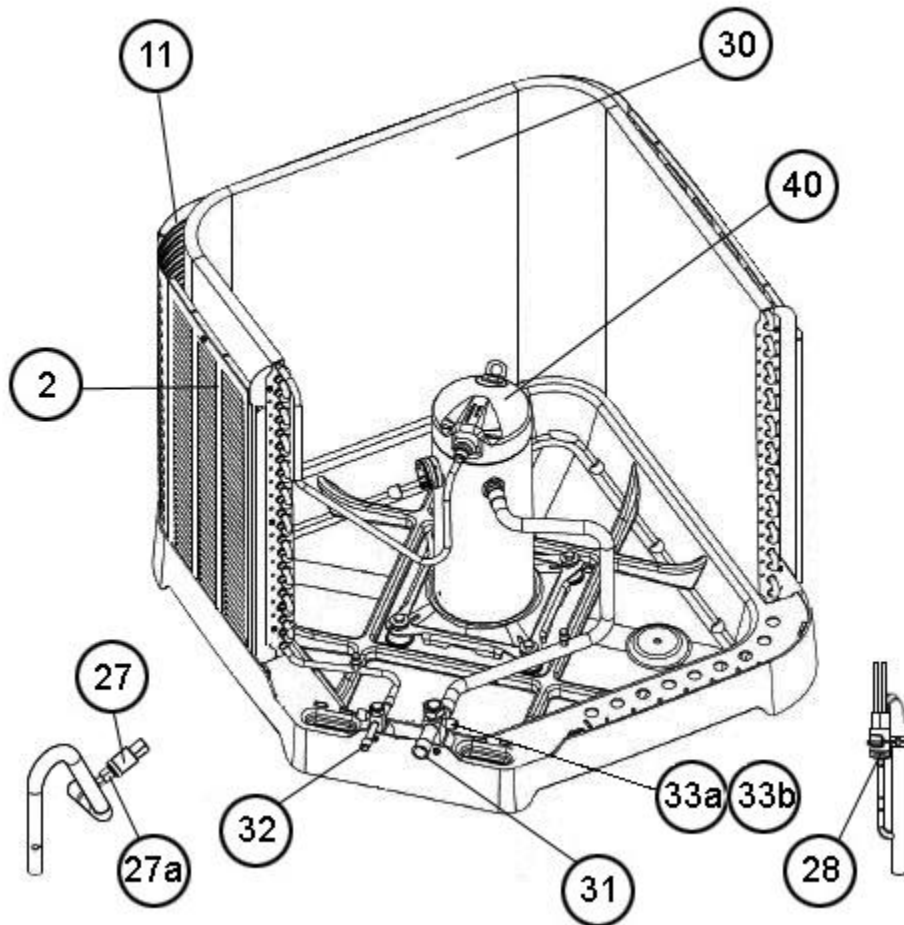


Exploded View





Control Box



Valve Mounting, Compressor

# NOTES

Stk It is recommended that stock be maintained for this part.  
N/A Not Applicable

**DISCLAIMER:** This document is intended to provide general replacement parts information to aid qualified service personnel in the repair of these models. The complete Model and Serial Number of the unit under repair should be specified when selecting and ordering replacement parts. Specifications and illustrations are subject to change without notice. Document 92-42800-RA20 supersedes all previous parts lists for these models. See <http://www.rheempartslists.net/92-42800-RA20> for the latest revision of this document. The manufacturer assumes no obligation for errors or omissions. Service personnel must verify the proper and safe operation of equipment after the replacement of any original components.